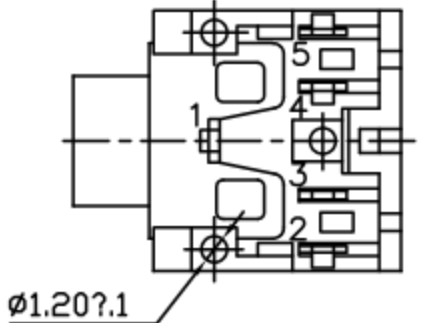
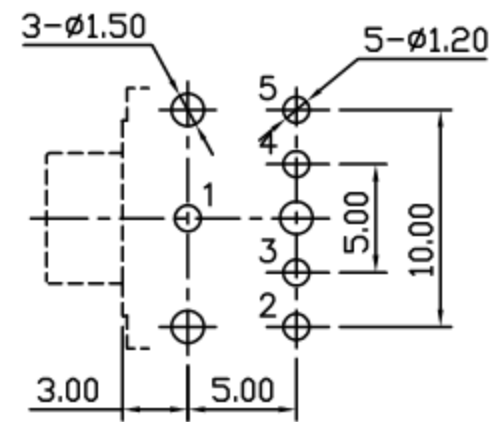
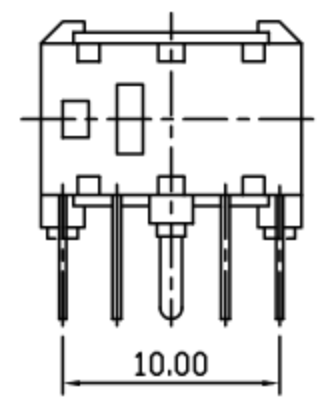
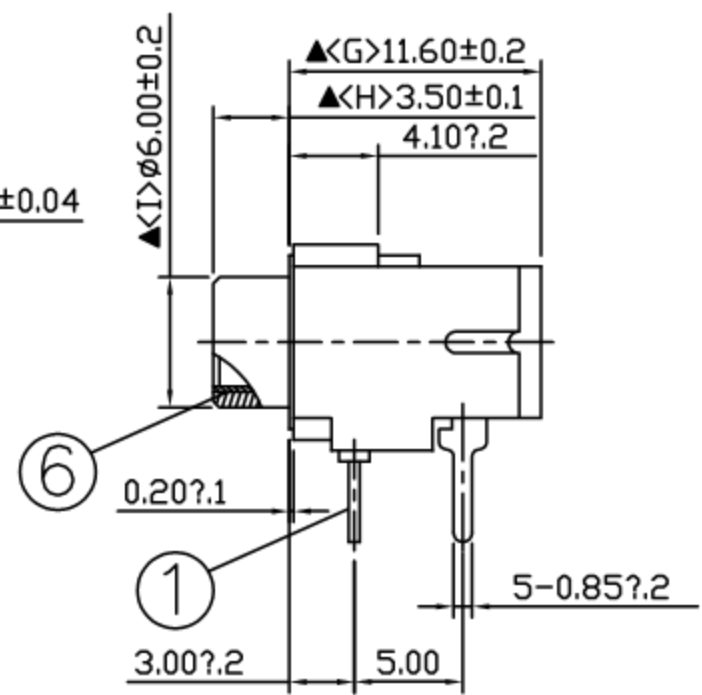
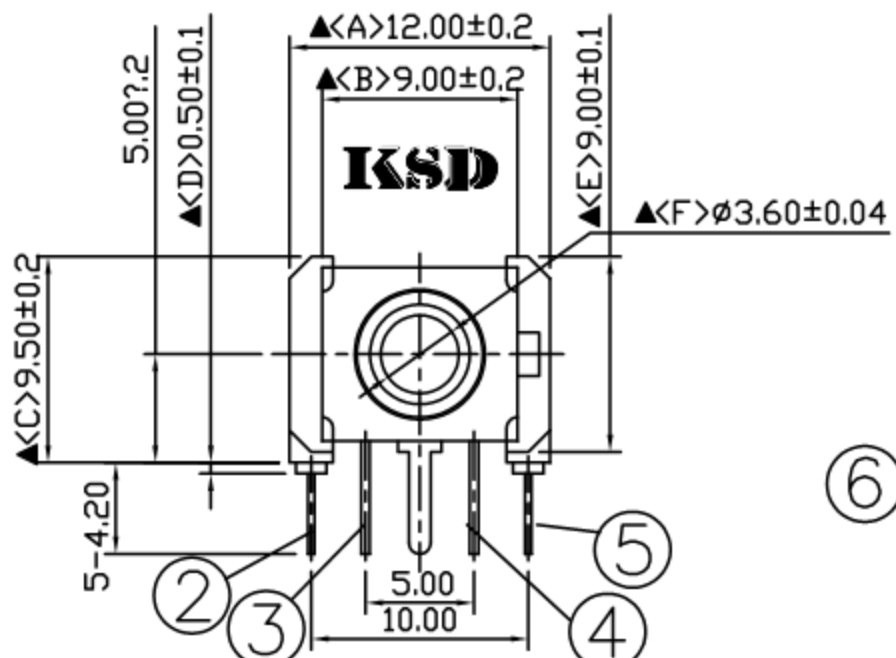
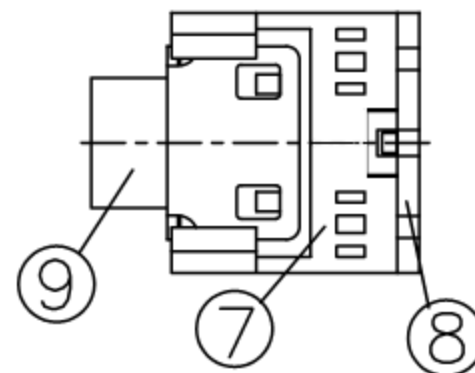


SCHEMATIC	
MODEL NO	U



9.	Bushing	PBT	1	Black Color
8.	Cover	PBT	1	Black Color
7.	Housing	PBT	1	Black Color
6.	Sleeve(Barrel)	Brass	1	Nickel Plated
5.	Tip Spring	0.3T TiCuR1-M-EH	1	Silver Plated
4.	Break Terminal	0.4T Bronze	1	Silver Plated
3.	Break Terminal	0.4T Brass	1	Silver Plated
2.	Ring Spring	0.3T Phosphor Copper	1	Silver Plated
1.	Earth Terminal	0.5T Steel	1	Tin Plated
NO.	Description	Material	Q'TY	Finish

	广东科斯达电子科技有限公司 GUANG DONG KE SI DA ELECTRONIC TECHNOLOGY CO., LTD.	DATE	DWN	CHKD	APVD	MANAGER
		10.10.2011				

PART NAME : 3.5φ PHONE JACK	PART NUMBER: SCJ356M5NUS0BB0G	VERSION: 4.0
TOLERANCE : ±0.3mm UNLESS OTHERWISE SPECIFIED	UNIT: mm	SCALE: 1/1

SPECIFICATIONS:
 Contact Resistance : 30mΩ max
 Insulation Resistance : 100MΩ min. at DC 500V
 Dielectric Withstanding Voltage: AC 500V for one minute
 Remark: ▲: The Most Important Dimension

RoHS Compliant For Reference
僅供參考