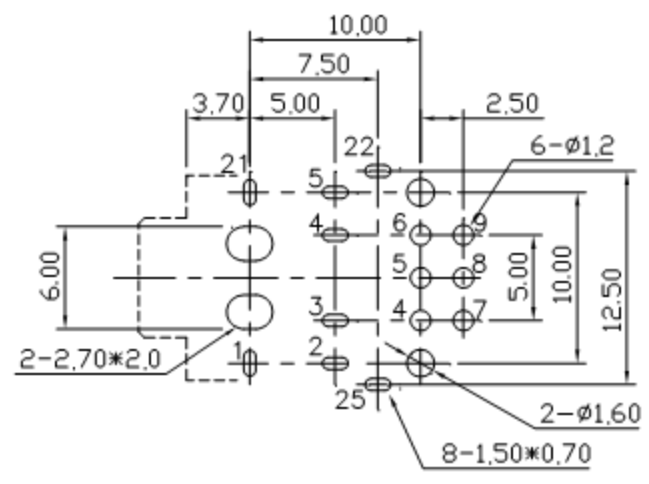
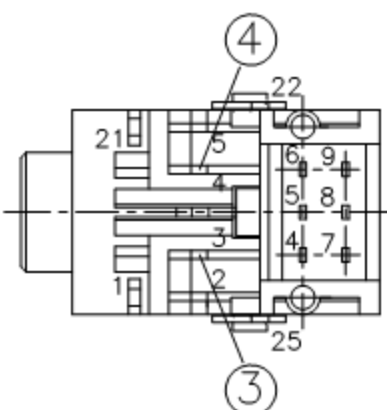
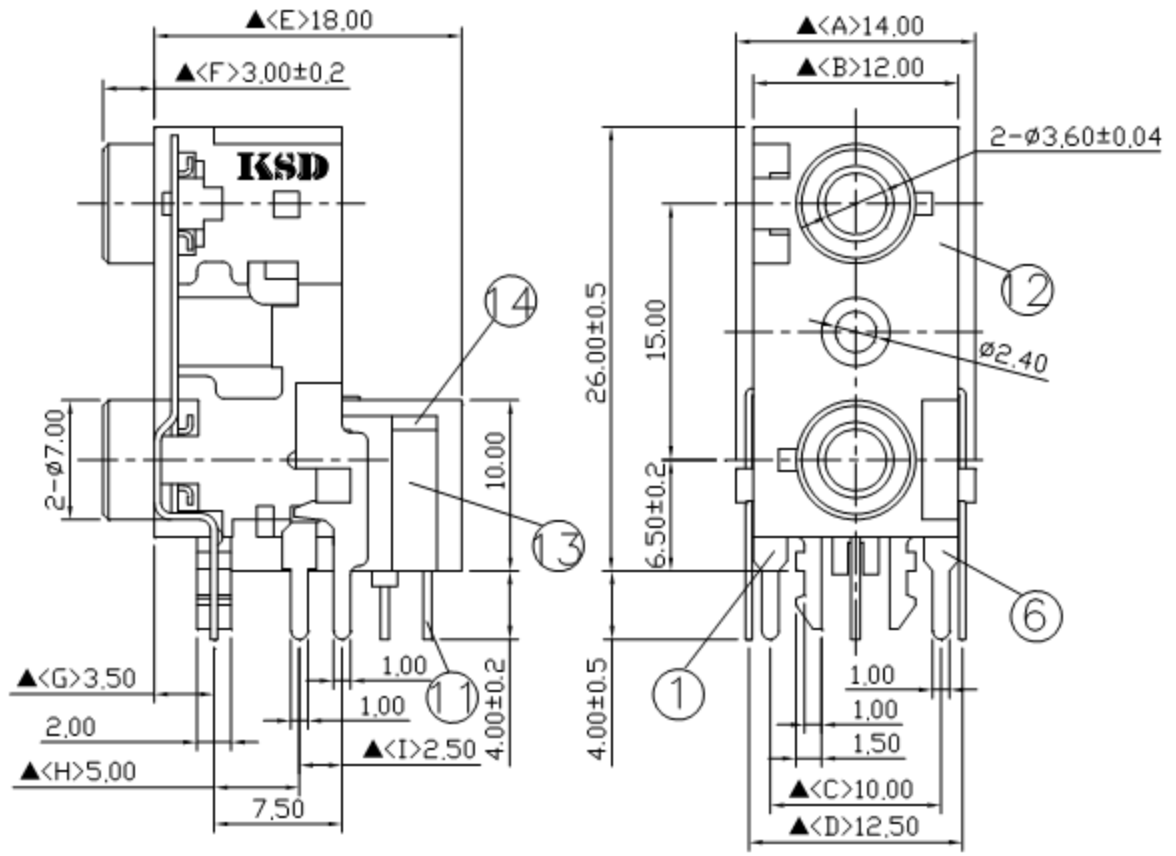


SCALE:(1: 2.5)



Pin Hole Layout
(Jack Bottom View)

17	Sequins	Tin phosphor bronze	2	
16	Insulator	PA66+33%	1	Black Color
15	Spring	SUS-304	1	
14	Back Housing Cover	PA66+33%	1	Transparent
13	Back Housing	PA66+33%	1	Black Color
12	Housing	PBT	1	Black Color
11	Switch Pin	0.4T Brass	6	Silver Plated
10	Tip Lead(TOP)	0.4T Brass	1	Silver Plated
9	Tip Spring(TOP)	0.25T Phosphor Copper	1	Silver Plated
8	Ring Lead(TOP)	0.4T Brass	1	Silver Plated
7	Ring Spring(TOP)	0.25T Phosphor Copper	1	Silver Plated
6	Earth Terminal(TOP)	0.4T Phosphor Copper	1	Silver Plated
5	Tip Spring(DOWN)	0.25T Phosphor Copper	1	Silver Plated
4	Break Terminal(DOWN)	0.4T Bronze	1	Silver Plated
3	Break Terminal(DOWN)	0.4T Bronze	1	Silver Plated
2	Ring Spring(DOWN)	0.3T Phosphor Copper	1	Silver Plated
1	Earth Terminal(DOWN)	0.4T Phosphor Copper	1	Silver Plated
NO.	Description	Material	Q'TY	Finish

	广东科斯达电子科技有限公司 GUANG DONG KE SI DA ELECTRONIC TECHNOLOGY CO., LTD.	DATE	DWN	CHKD	APVD	MANAGER
		09.27.2020	王平華			

PART NAME : 3.5φ PHONE JACK	PART NUMBER : SCJ352P00US0B00G	VERSION:5.0
TOLERANCE : ±0.3mm UNLESS OTHERWISE SPECIFIED		UNIT:mm
		SCALE:1/1

SPECIFICATIONS:
 Contact Resistance : 30mΩ max
 Insulation Resistance : 100MΩ min. at DC 500V
 Dielectric Withstand Voltage : AC 500V for one minute
 Remark: ▲ : The Most Important Dimension

For Reference
提供參攷

RoHS&SVHC
Compliant