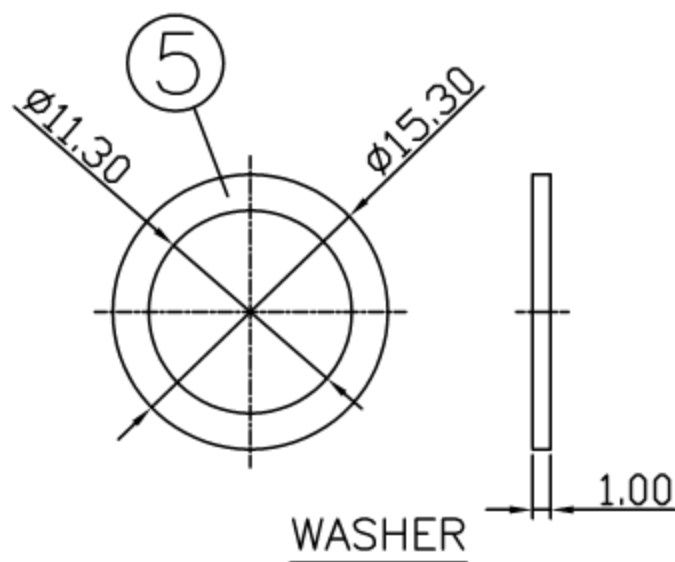
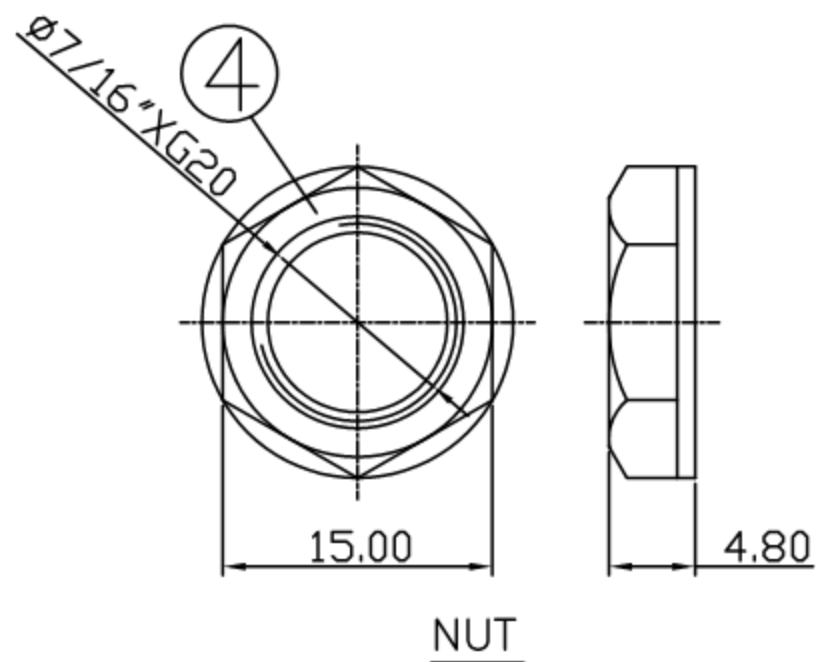
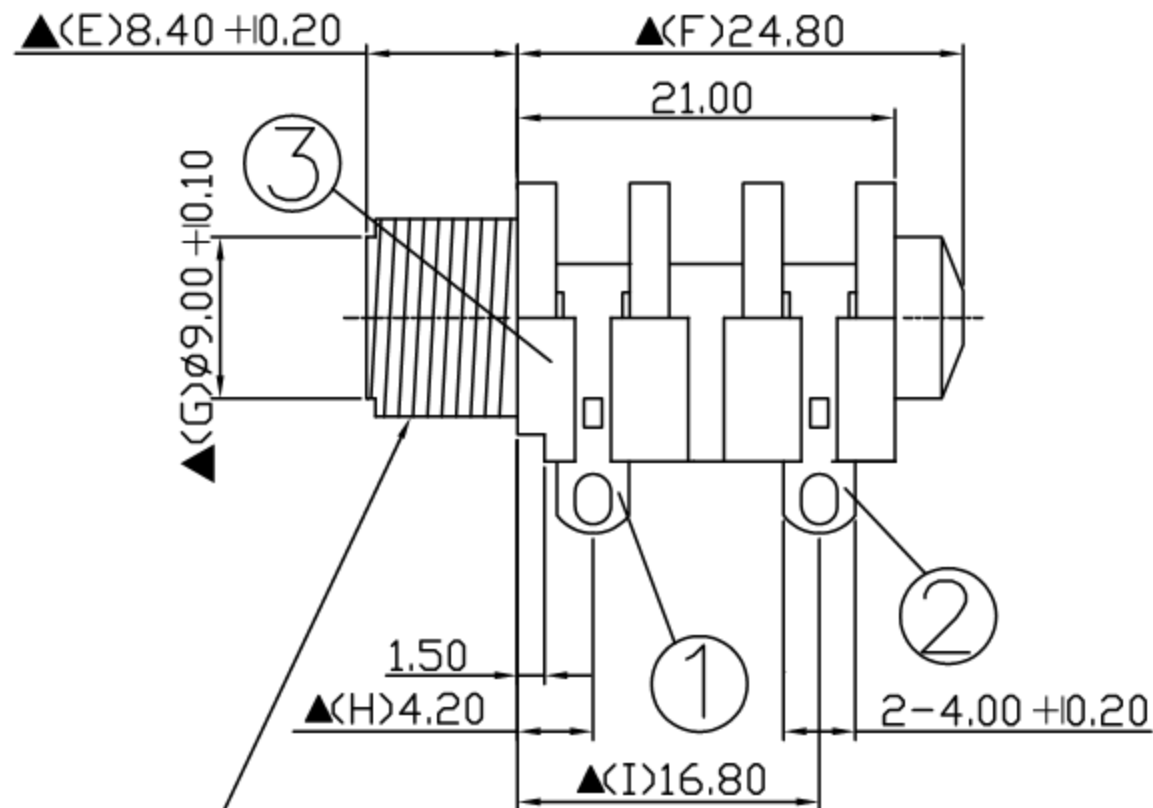
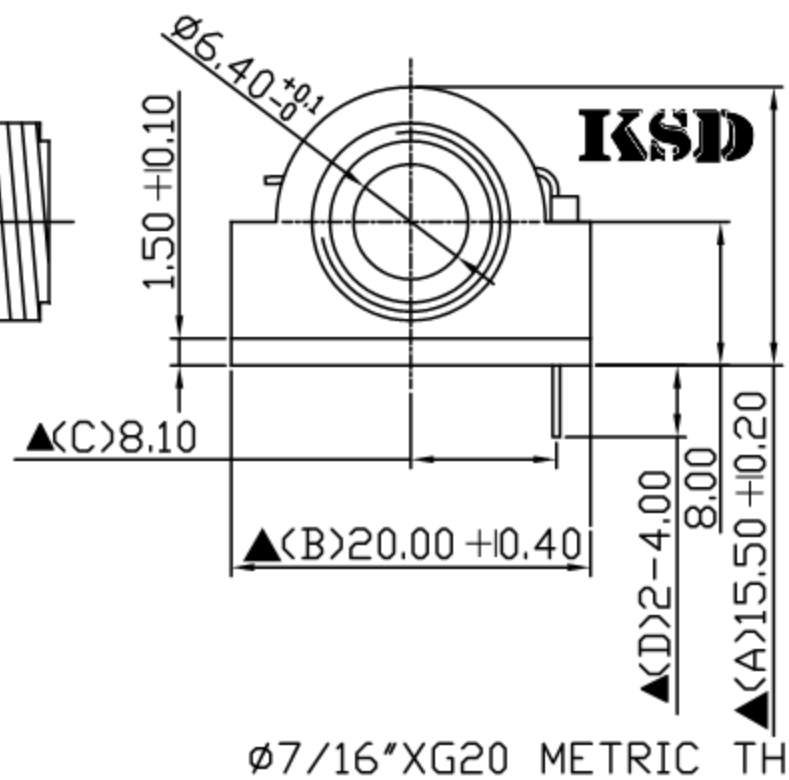
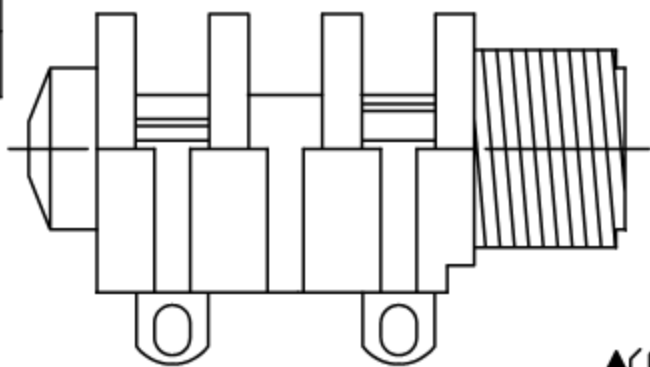


SCHEMATIC	
MODEL NO	A



5.	Washer	PAPER SHEET t1.0	1	Red Color
4.	Nut-Hexagon	PA66	1	Black Color
3.	Housing	PA66	1	Black Color
2.	Tip Spring	0.4T Phosphor Bronze	1	Silver Plated
1.	Sleeve Spring	0.4T Phosphor Bronze	1	Silver Plated
NO.	Description	Material	Q'TY	Finish

	广东科斯达电子科技有限公司 GUANG DONG KE SI DA ELECTRONIC TECHNOLOGY CO., LTD.		DATE	DWN	CHKD	APVD	MANAGER
			10.12.2011				

PART NAME :6.3φ PHONE JACK	PART NUMBER: SCJ638P30AS5BW0G	VERSION:3.0
TOLERANCE :±0.3mm UNLESS OTHERWISE SPECIFIED	UNIT:mm	SCALE:1/1

SPECIFICATIONS:

Contact Resistance : 30mΩ max
 Insulation Resistance : 100MΩ min. at DC 500V
 Dielectric Withstand Voltage : AC 500V for one minute
 Remark: ▲: The Most Important Dimension

RoHS
Pb Free Process

For Reference
仅供参考