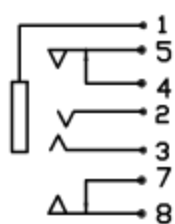
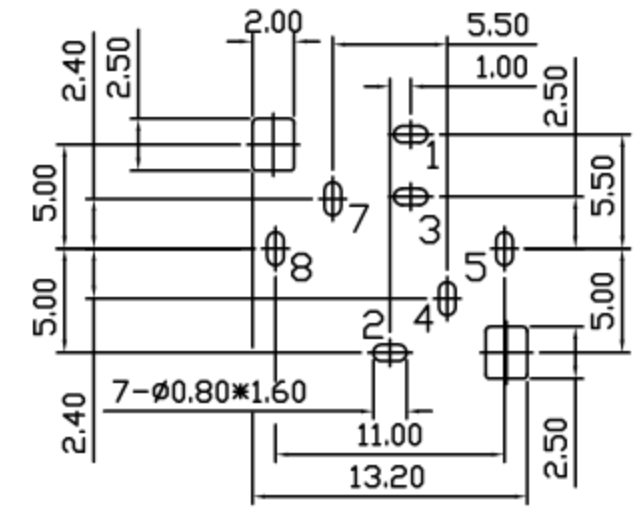
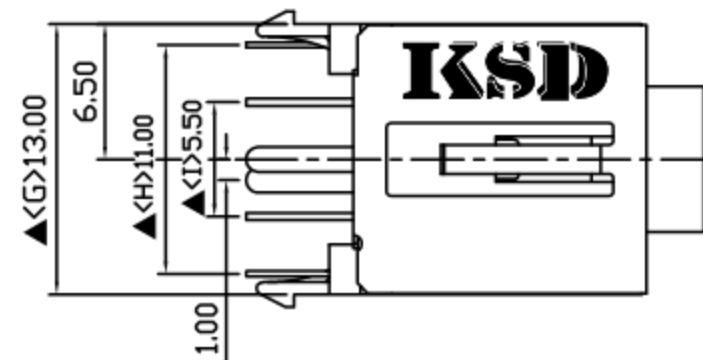
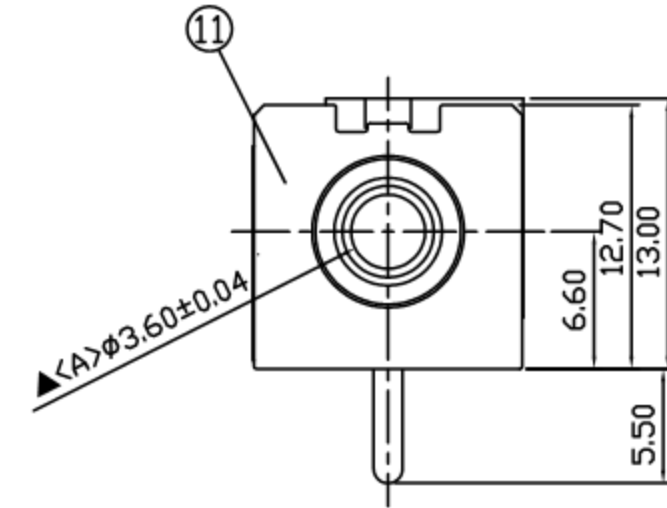
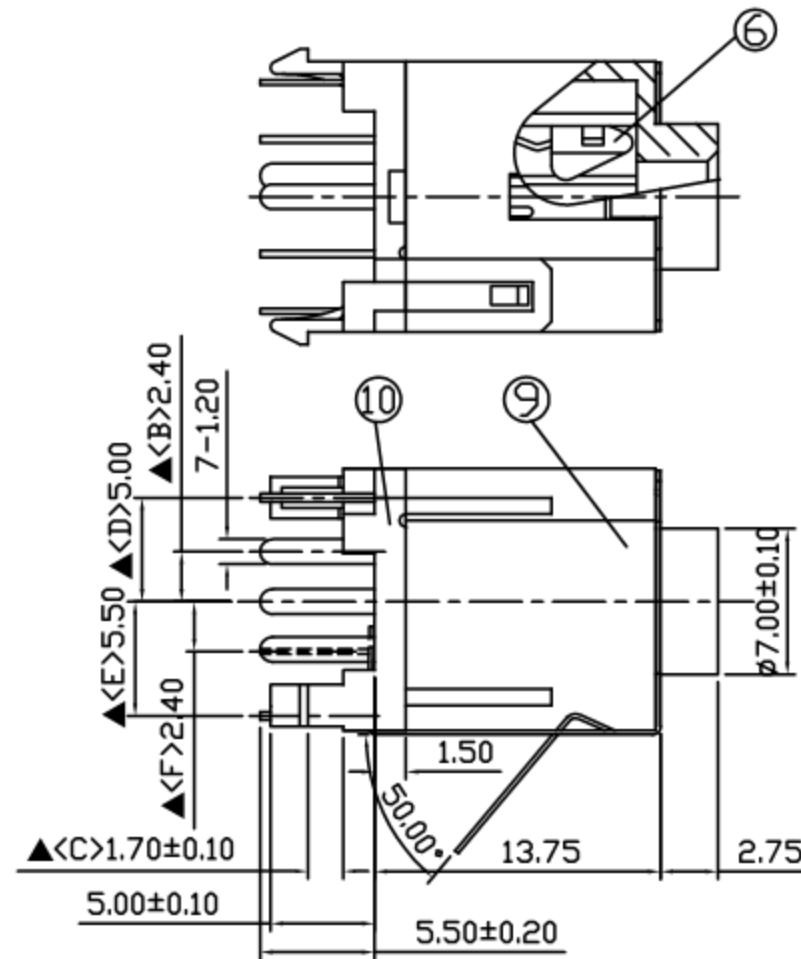
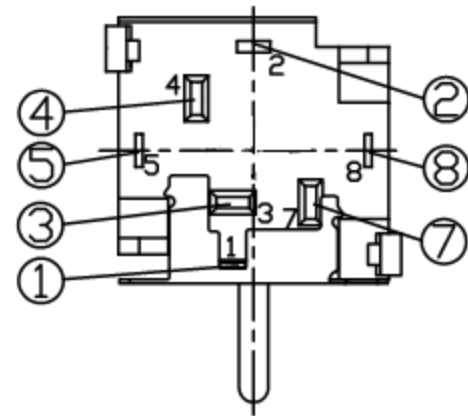


SCHEMATIC	
MODEL NO.	C



Pin Hole Layout
(Jack Bottom View)

11.	Metal Plate	0.2T Phosphor Bronze	1	Nickel Plated
10.	Back Cover	PBT+15%G	1	Black Color
9.	Housing	PBT	1	Black Color
8.	Break Terminal	0.25T Phosphor Bronze	1	Silver Plated
7.	Separator Terminal	0.3T Brass	1	Silver Plated
6.	Insulator	POM	2	White Color
5.	Break Terminal	0.25T Phosphor Bronze	1	Silver Plated
4.	Separator Spring	0.3T Brass	1	Silver Plated
3.	Ring Spring	0.25T Phosphor Bronze	1	Silver Plated
2.	Tip Spring	0.35T Phosphor Bronze	1	Silver Plated
1.	Earth Spring	0.25T Phosphor Bronze	1	Silver Plated
NO.	Description	Material	Q'TY	Finish

 广东科斯达电子科技有限公司
GUANG DONG KE SI DA ELECTRONIC TECHNOLOGY CO., LTD.

DATE	DWN	CHKD	APVD	MANAGER
01.06.2012				

PART NAME : 3.5φ PHONE JACK PART NUMBER: SCJ339P00CS0B00G VERSION: 2.0

TOLERANCE : ±0.3mm UNLESS OTHERWISE SPECIFIED UNIT: mm SCALE: /

RoHS Compliant For Reference 仅供参考

SPECIFICATIONS:
Contact Resistance : 30mΩ max
Insulation Resistance : 100MΩ min. at DC 500V
Dielectric Withstand Voltage : AC 500V for one minute
Remark: ▲ : The Most Important Dimension