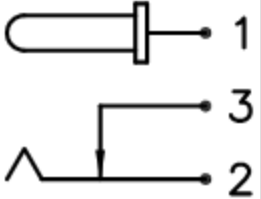
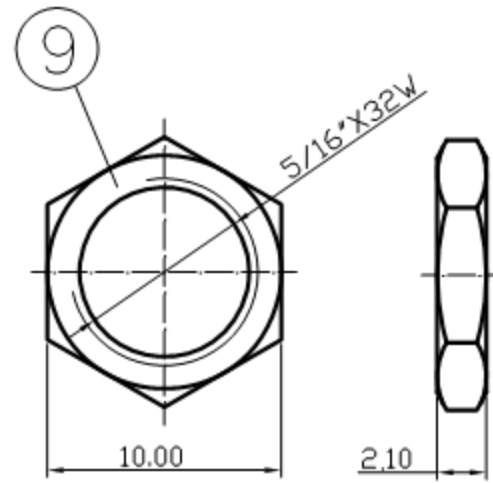
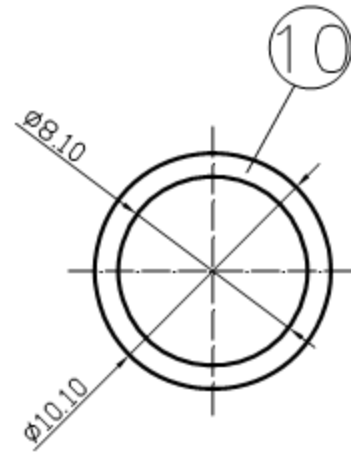


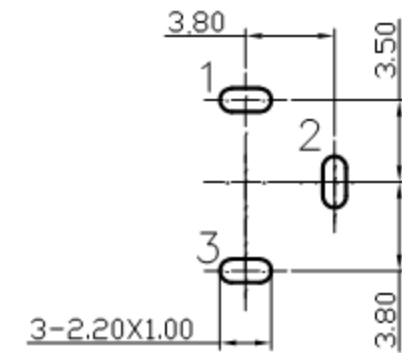
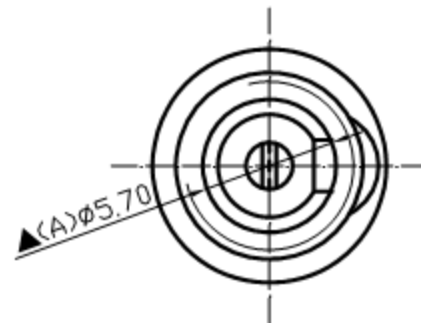
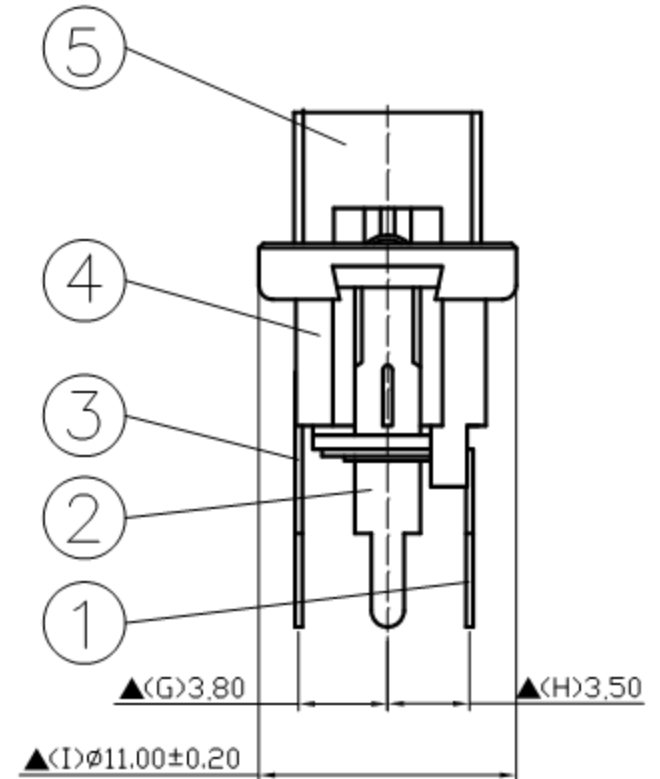
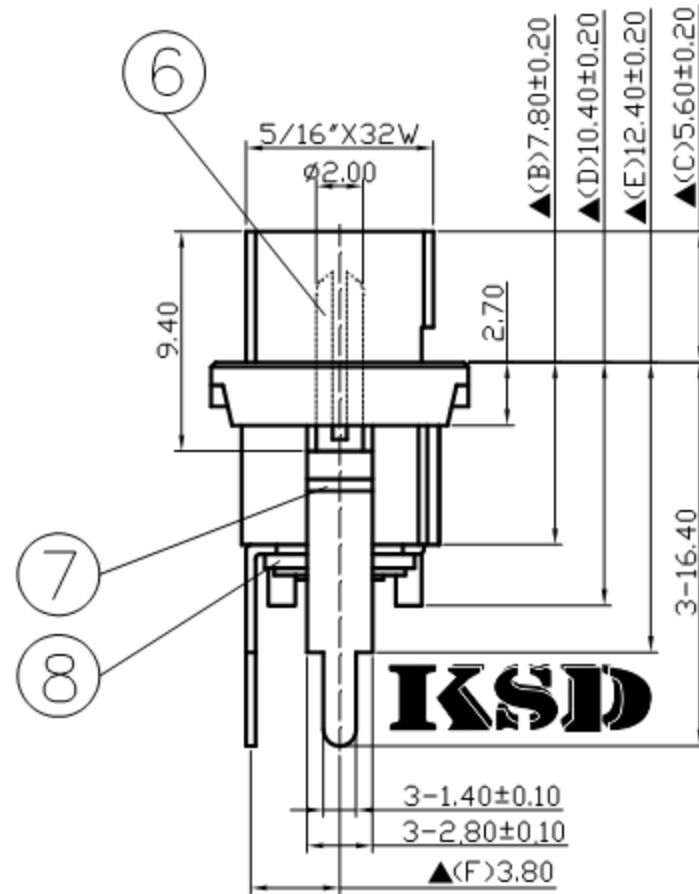
SCHEMATIC	
MODEL NO	C



NUT




WASHER



Pin Hole Layout
(Jack Bottom View)

10.	Washer	0.3T Steel	1	Nickel Plated
9.	Nut	Low Lead Brass Rod	1	Nickel Plated
8.	Insulator B	Red Vulcanited Fibre	1	Red Color
7.	Insulator A	Red Vulcanited Fibre	1	Red Color
6.	Pin(2.0∅)	Low Lead Brass Rod	1	Nickel Plated
5.	Bushing	Low Lead Brass Rod	1	Nickel Plated
4.	Housing	PBT+15%	1	Black Color
3.	Break Terminal	0.3T Brass	1	Silver Plated
2.	Sleeve Spring	0.4T Phosphor Bronze	1	Silver Plated
1.	Pin Terminal	0.3T Brass	1	Silver Plated
NO.	Description	Material	Q'TY	Finish

 广东科斯达电子科技有限公司 GUANG DONG KE SI DA ELECTRONIC TECHNOLOGY CO., LTD.	DATE	DWN	CHKD	APVD	MANAGER
	06.21.2021	王平華			

PART NAME : DC POWER JACK	PART NUMBER: SCD454CCS103B00L	VERSION: 3.0
TOLERANCE : ±0.3mm UNLESS OTHERWISE SPECIFIED	UNIT: mm 	SCALE: /

SPECIFICATIONS:
 Contact Resistance : 30mΩ max
 Current Rating : Max 5.0A , 24V DC
 Insulation Resistance: 100MΩ min. at DC 500V
 Dielectric Withstand Voltage : AC 500V for one minute
 Remark: ▲ : The Most Important Dimension

For Redference
 僅供參考

**RoHS&SVHC
 Compliant**