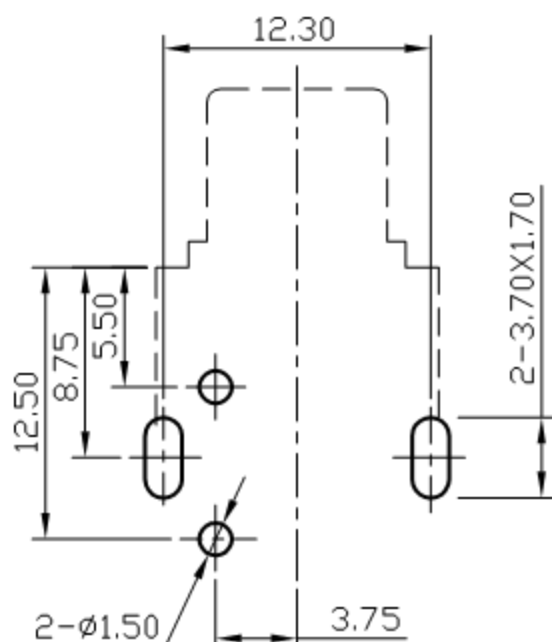
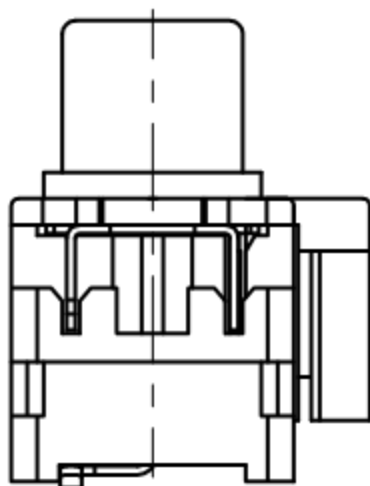
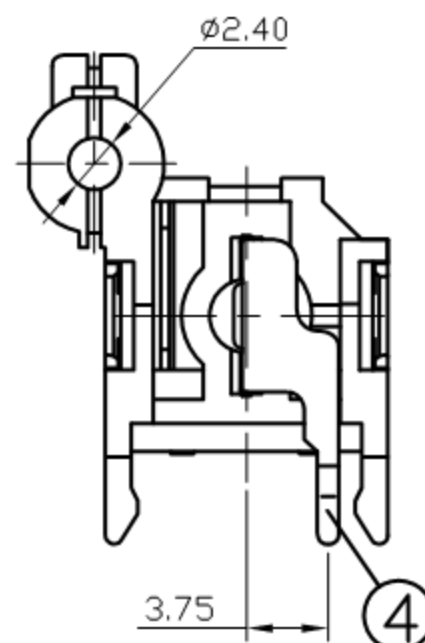
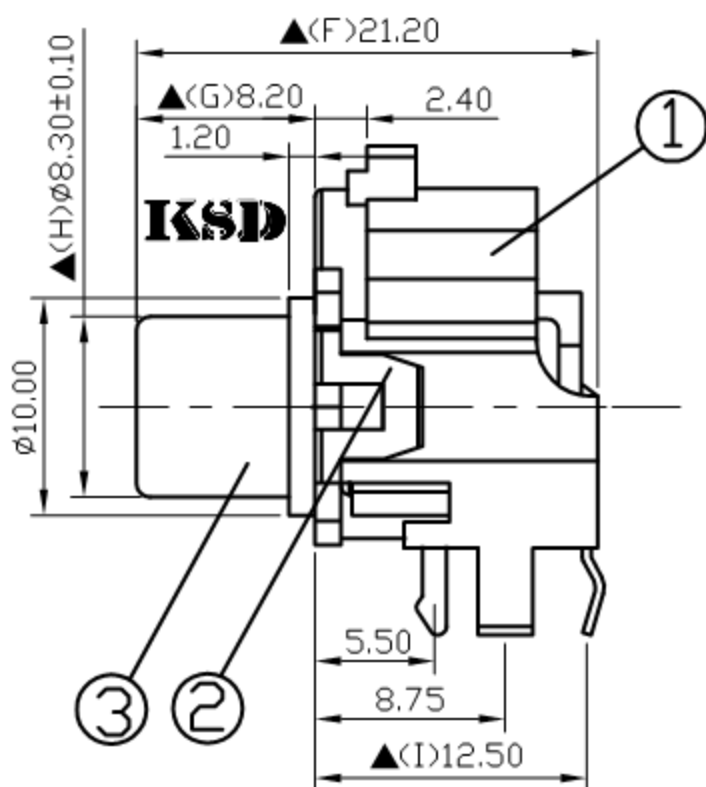
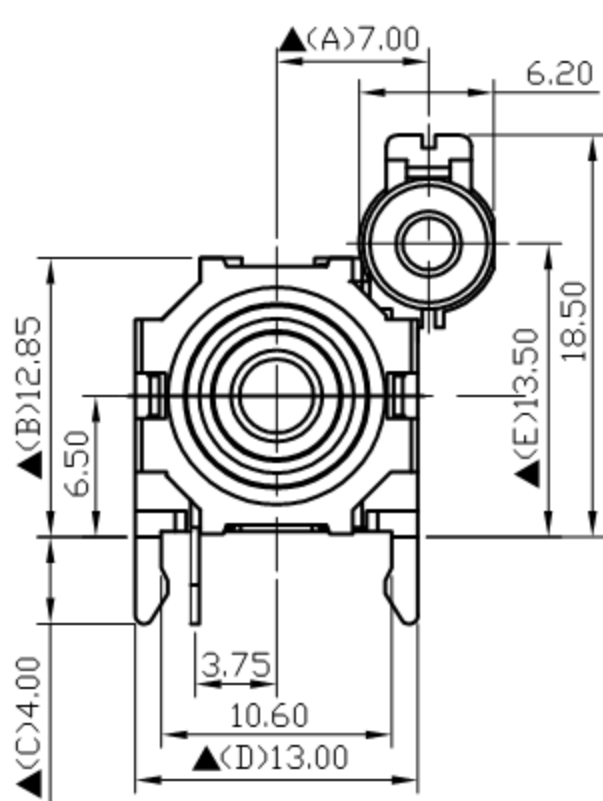


SCHEMATIC	
MODEL NO	U



Pin Hole Layout
(Jack Bottom View)

4.	Terminal	0.4T Bronze	1	Silver Plated
3.	Outer Contact	0.4T Bronze	1	Nickel Plated
2.	Cover	ABS	1	Black Color
1.	Housing	ABS	1	Black Color
NO.	Description	Material	Q'TY	Finish

RoHS Compliant For Reference
僅供參考

SPECIFICATIONS:
 Contact Resistance : 30mΩ max
 Insulation Resistance : 100MΩ min. at DC 500V
 Dielectric Withstand Voltage : AC 500V for one minute
 Remark: ▲ : The Most Important Dimension

广东科斯达电子科技有限公司
 GUANG DONG KE SI DA ELECTRONIC TECHNOLOGY CO., LTD.

DATE	DWN	CHKD	APVD	MANAGER
09.05.2006				

PART NAME : PIN JACK	PART NUMBER: SCP617UNS100000G	VERSION:2.0
TOLERANCE :±0.3mm UNLESS OTHERWISE SPECIFIED		UNIT:mm
		SCALE:1/1