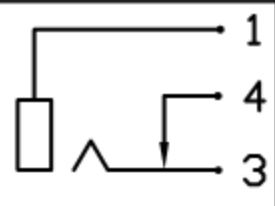
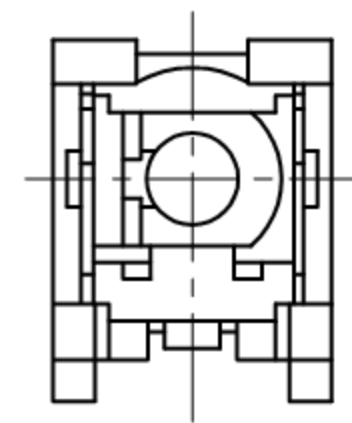
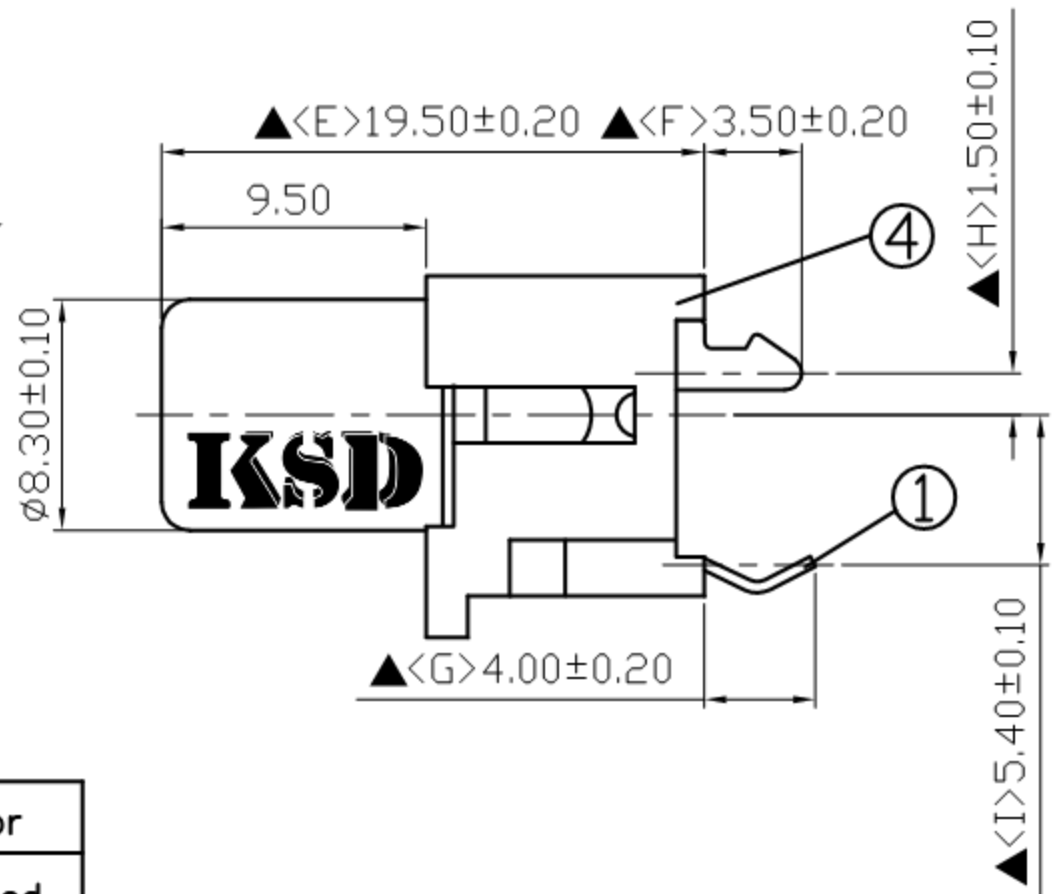
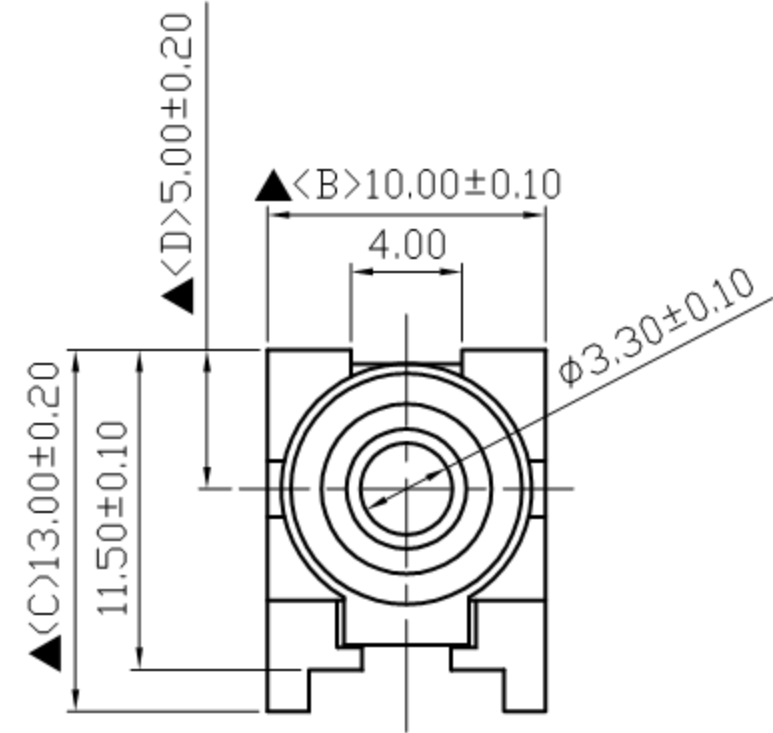
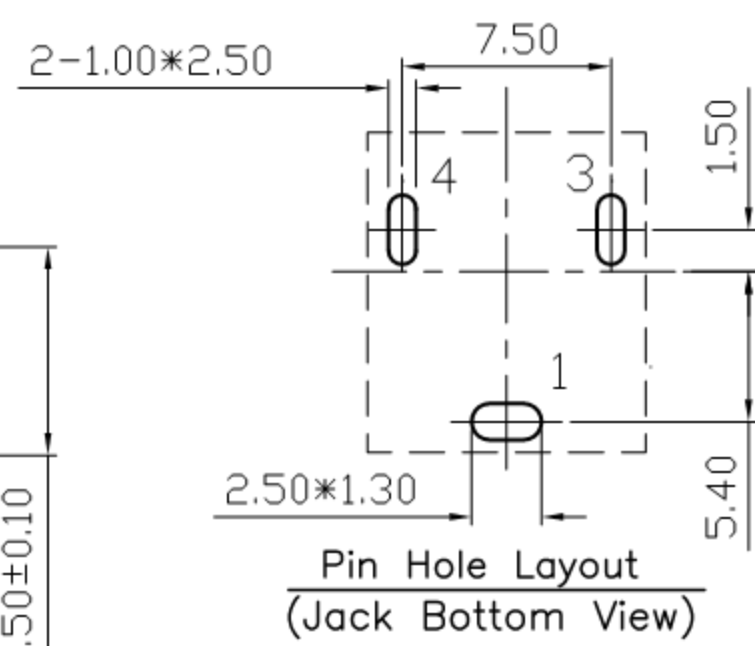
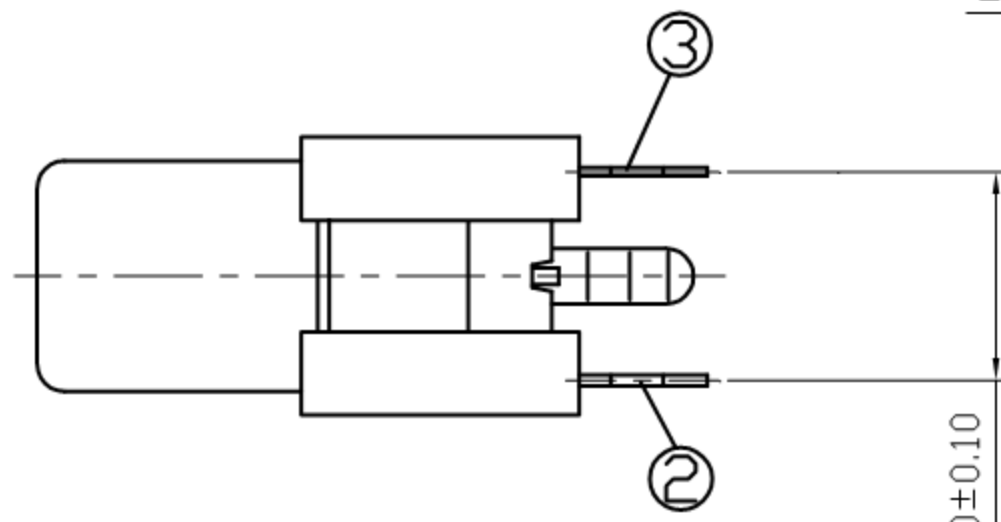


SCHEMATIC	
MODEX NO	V



4.	Housing	PBT	1	Black Color
3.	Pin	0.3T Phosphor Bronze	1	Silver Plated
2.	Pin	0.3T Brass	1	Silver Plated
1.	Earth Terminal	0.4T Brass	1	Nickel Plated
NO.	Description	Material	Q'TY	Finish

	广东科斯达电子科技有限公司 GUANG DONG KE SI DA ELECTRONIC TECHNOLOGY CO., LTD.	DATE	DWN	CHKD	APVD	MANAGER
		09.01.2006				

PART NAME : PIN JACK	PART NUMBER: SCP626VNS100000G	VERSION:3.0
----------------------	-------------------------------	-------------

TOLERANCE :±0.3mm UNLESS OTHERWISE SPECIFIED	UNIT:mm		SCALE:1/1
--	---------	---	-----------

RoHS Compliant For Reference 僅供參考

SPECIFICATIONS:
 Contact Resistance : 30mΩ max
 Insulation Resistance : 100MΩ min. at DC 500V
 Dielectric Withstand Voltage : AC 500V for one minute
 Remark: ▲: The Most Important Dimension