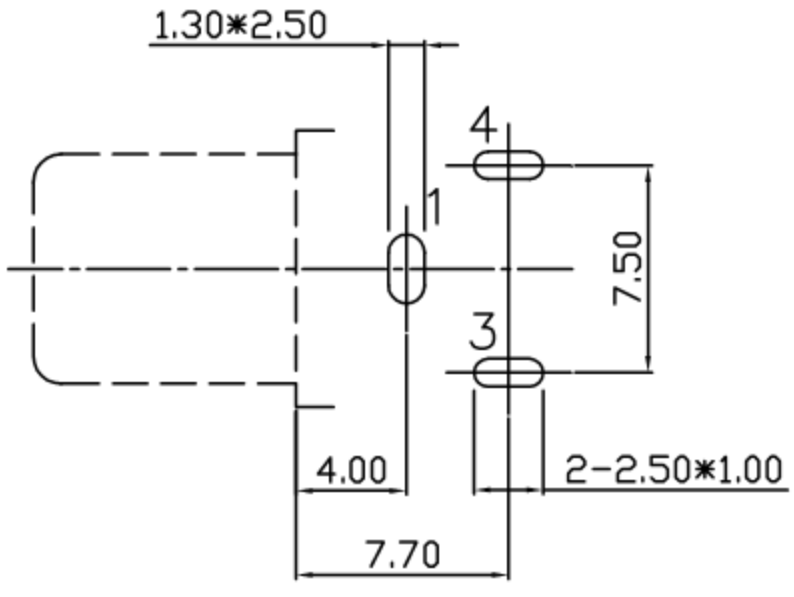
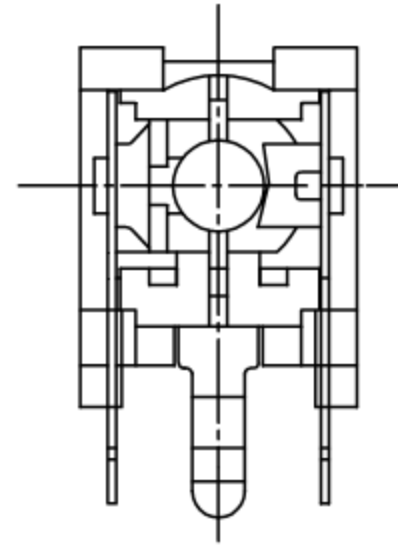
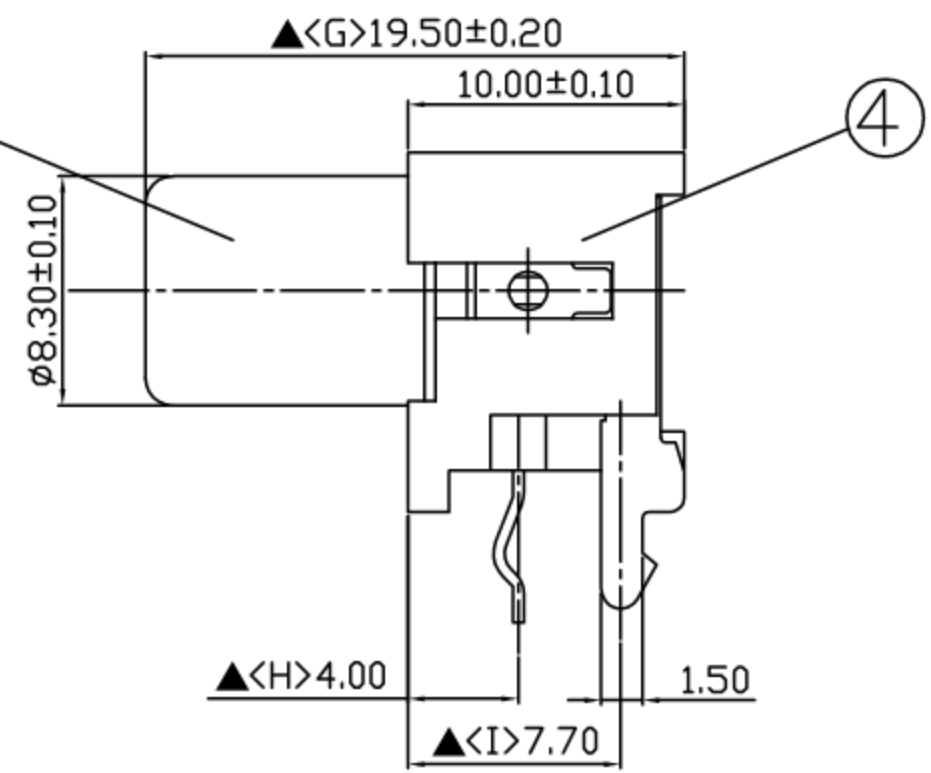
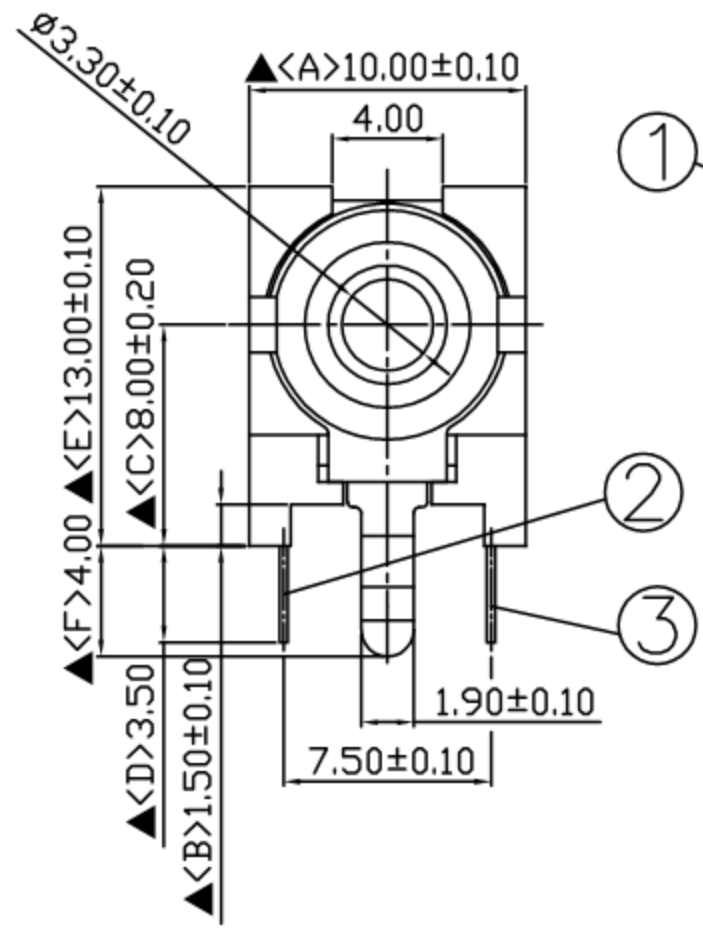
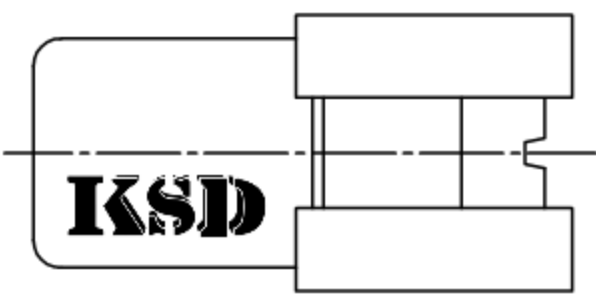


SCHEMATIC		
MODEL NO	V	



Pin Hole Layout
(Jack Bottom View)

4.	Housing	PBT	1	Black Color
3.	Break Terminal	0.3T Phosphor Bronze	1	Silver Plated
2.	Spring	0.3T Phosphor Bronze	1	Silver Plated
1.	Earth Terminal	0.4T Brass	1	Nickel Plated
NO.	Description	Material	Q'TY	Finish

RoHS Compliant For Reference
僅供參考

SPECIFICATIONS:
 Contact Resistance : 30mΩ max
 Insulation Resistance : 100MΩ min. at DC 500V
 Dielectric Withstanding Voltage: AC 500V for one minute
 Remark: ▲ : The Most Important Dimension

广东科斯达电子科技有限公司 GUANG DONG KE SI DA ELECTRONIC TECHNOLOGY CO., LTD.	DATE	DWN	CHKD	APVD	MANAGER
	12.08.2005				

PART NAME : PIN JACK	PART NUMBER : SCP624VNS100000G	VERSION:2.0
----------------------	--------------------------------	-------------

TOLERANCE : ±0.3mm UNLESS OTHERWISE SPECIFIED	UNIT:mm		SCALE: /
---	---------	--	----------