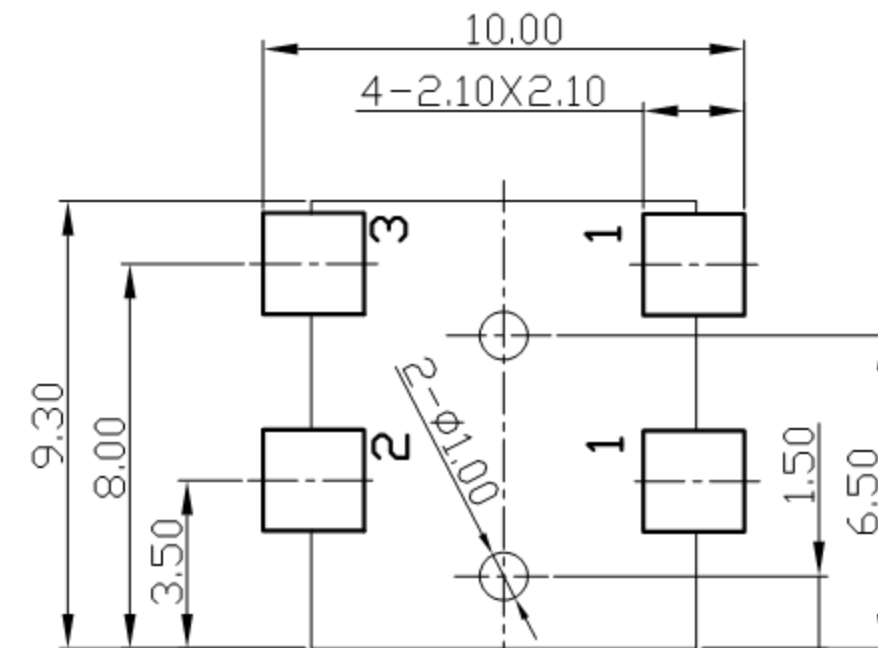
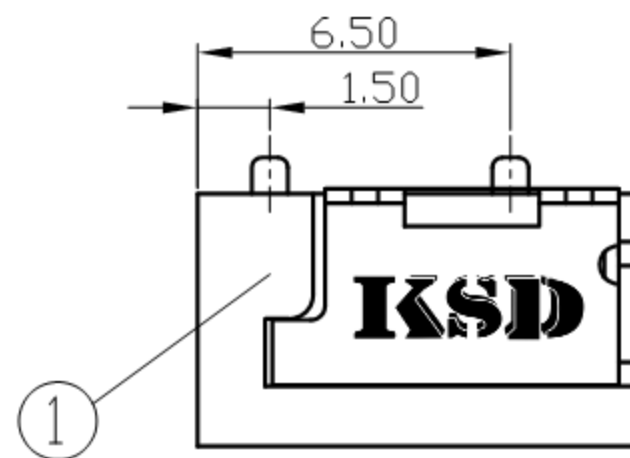
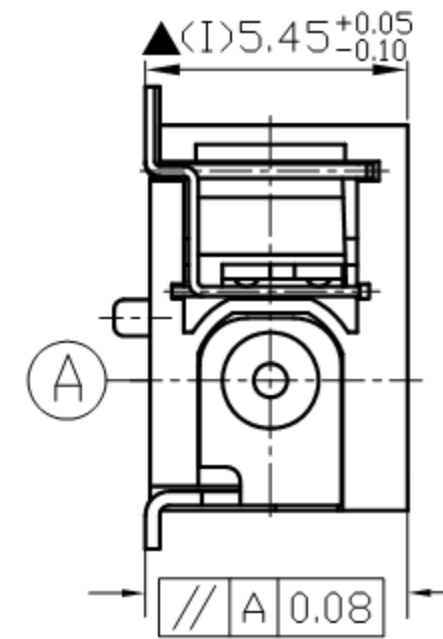
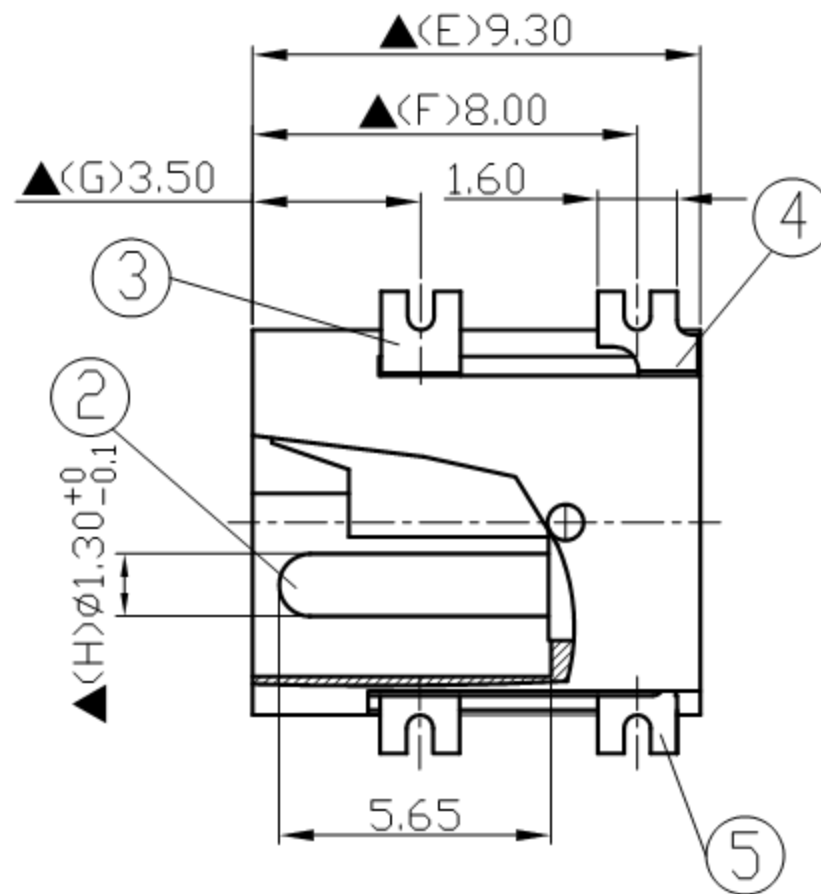
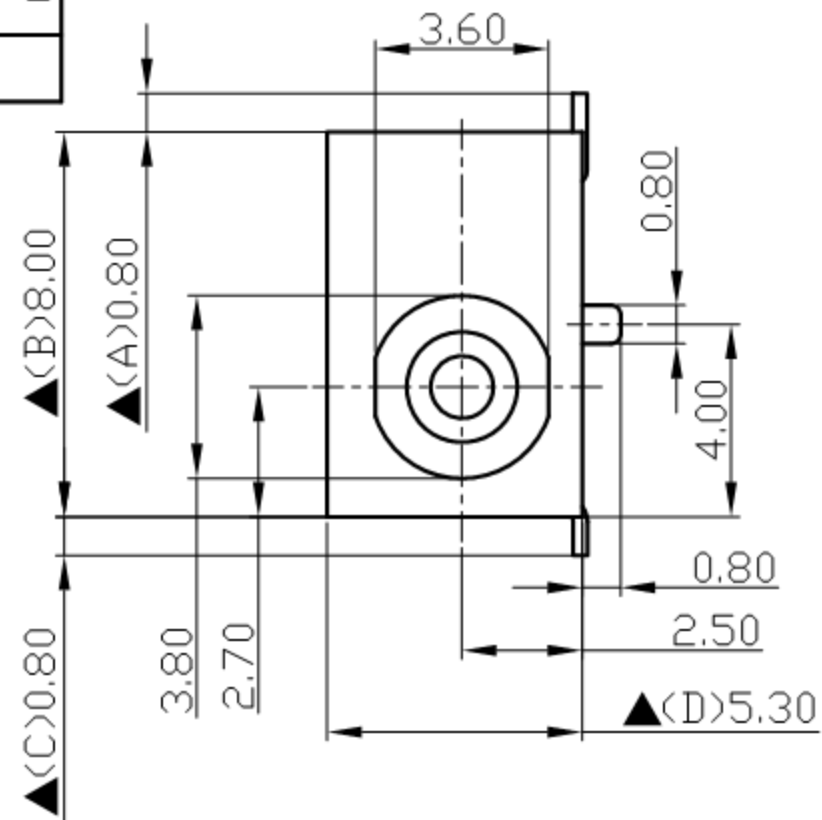


SCHEMATIC	
MODEL NO	C



Pin Hole Layout
(Jack Bottom View)

For Redference
僅供參考

RoHS&SVHC
Pb Free Process

5.	Spring	0.3T Phosphor Bronze	1	Silver Plated
4.	Break Terminal	0.2T Brass	1	Silver Plated
3.	Pin Terminal	0.3T Brass	1	Silver Plated
2.	Pin(Ø1.3)	Copper	1	Silver Plated
1.	Housing	PA10T	1	Black Color
NO.	Description	Material	Q'TY	Finish

广东科斯达电子科技有限公司
GUANG DONG KE SI DA ELECTRONIC TECHNOLOGY CO., LTD.

DATE	DWN	CHKD	APVD	MANAGER
10.11.2021	王平華			

PART NAME : DC POWER JACK	PART NUMBER: SCD473ACS000B00G	VERSION: 8.0
---------------------------	-------------------------------	--------------

TOLERANCE : ±0.3mm UNLESS OTHERWISE SPECIFIED	UNIT: mm	SCALE: 1/1
---	----------	------------

SPECIFICATIONS:
 Contact Resistance : 30mΩ max
 Current Rating : Max 5A , 24VDC
 Insulation Resistance : 100MΩ min. at DC 500V
 Dielectric Withstanding Voltage: AC 500V for one minute
 Remark: ▲ : The Most Important Dimension