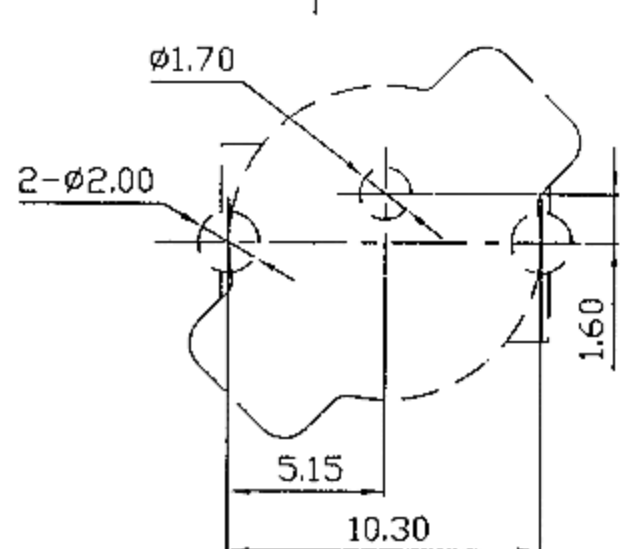
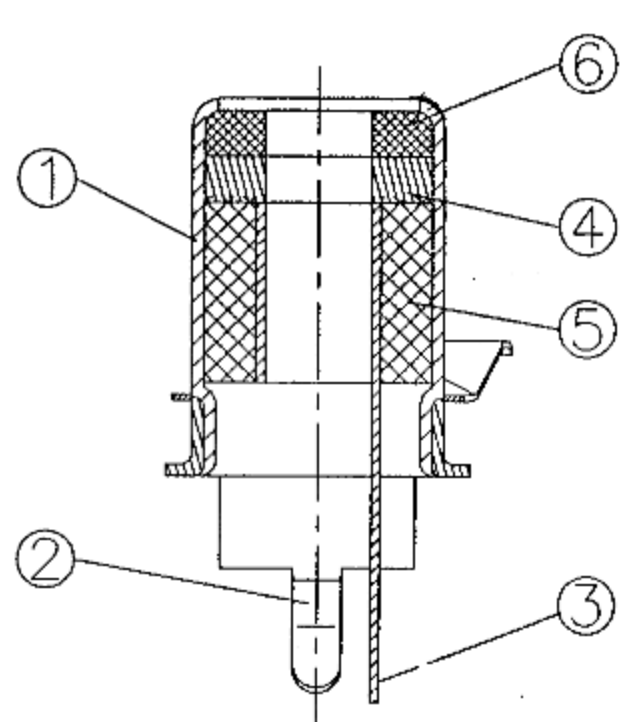
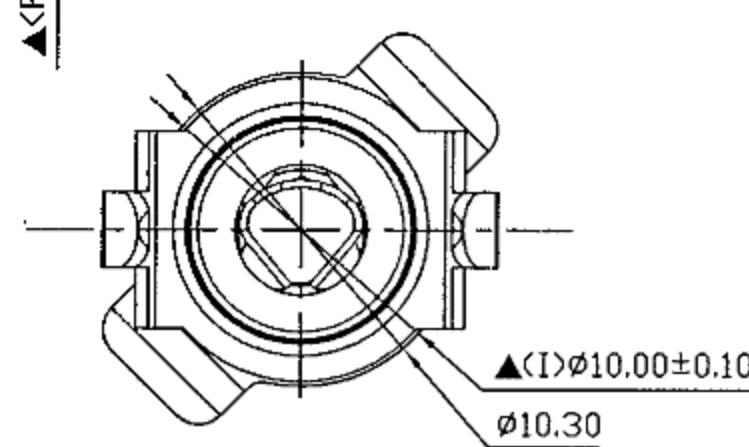
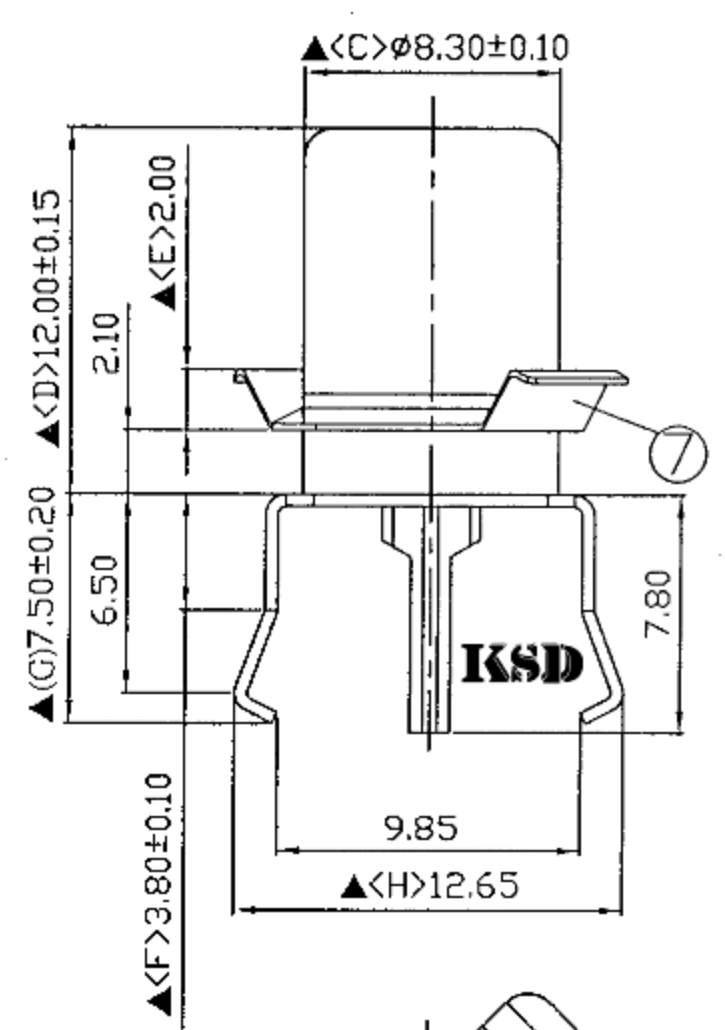
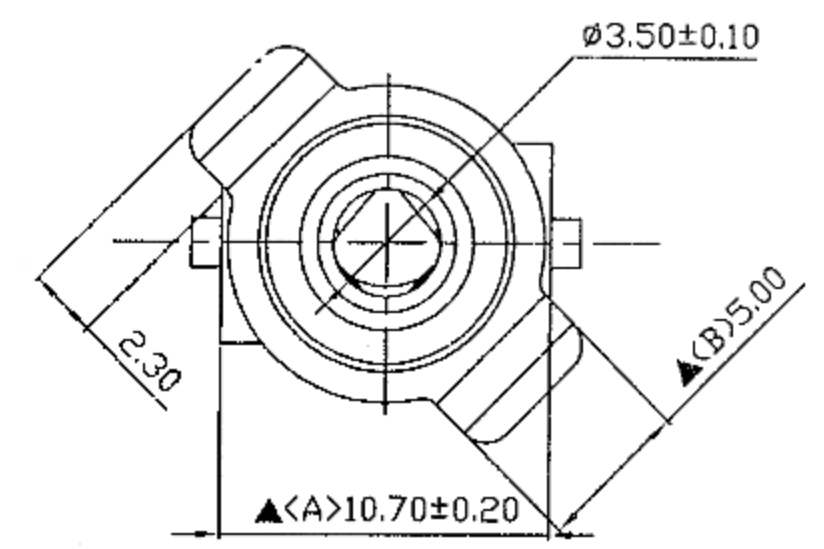


A B C D E



Pin Hole Layout
(Jack Bottom View)

1
2
3
4
5

1
2
3
4
5

7.	Panel Ground	0.20T Stainless Steel	1		
6.	Insulator	PBT	1	1795C Red Color	
5.	Insulator	PBT	1	Black Color	
4.	Insulator	Bakelite	1	Black Color	
3.	Pin	0.25T Brass	1	Tin Color	
6	2.	Mounting Bracket	0.4T Iron	1	Tin Color
1.	Phone Jack Shell	0.3T Brass	1	Nickel Plated	
NO.	Description	Material	Q'TY	Finish	

SPECIFICATIONS:
See "Details of Environment-Related Substance"
Contact Resistance : 30mΩ max
Insulation Resistance : 100MΩ min. at DC 500V
Dielectric Withstanding Voltage: AC 500V for one minute
Remark: ▲: The Most Important Dimension

广东科斯达电子科技有限公司
GUANG DONG KE SI DA ELECTRONIC TECHNOLOGY CO., LTD.

DATE	DWN	CHKD	APVD	MANAGER
06.22.2005	黄志勇	李芳		701-5-23 黄志勇

PART NAME : PIN JACK	PART NUMBER: SCP606UNT2T0110	VERSION: 1.0
----------------------	------------------------------	--------------

TOLERANCE : ±0.3mm UNLESS OTHERWISE SPECIFIED	UNIT: mm	SCALE: 1/1
---	----------	------------

A B C D E

7

7