

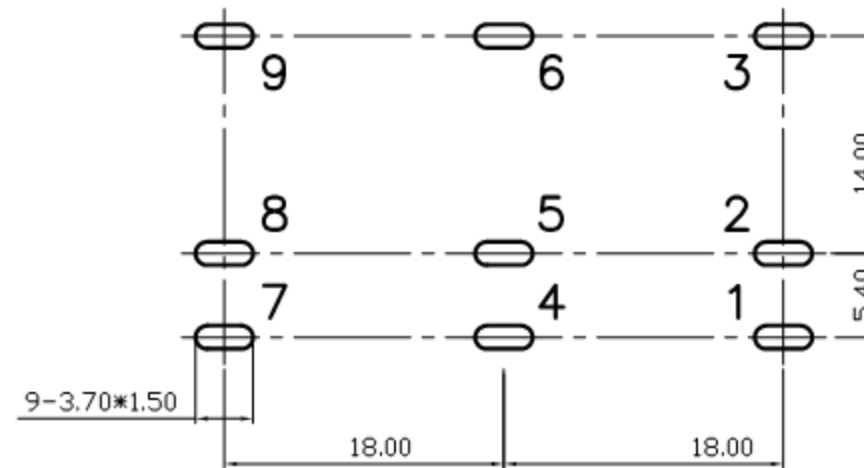
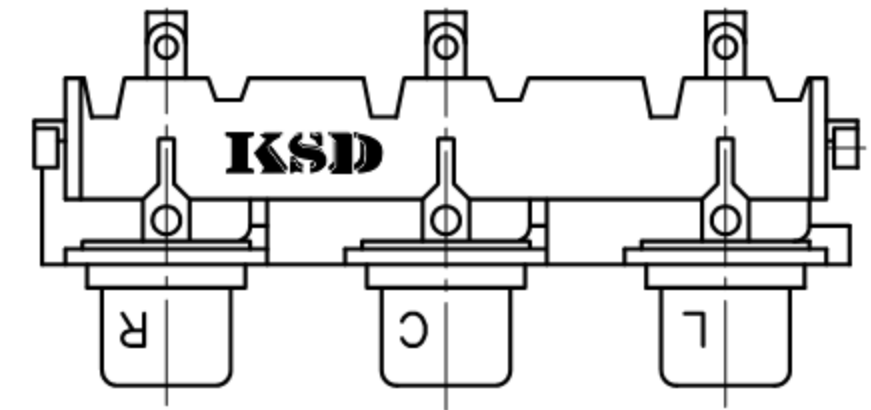
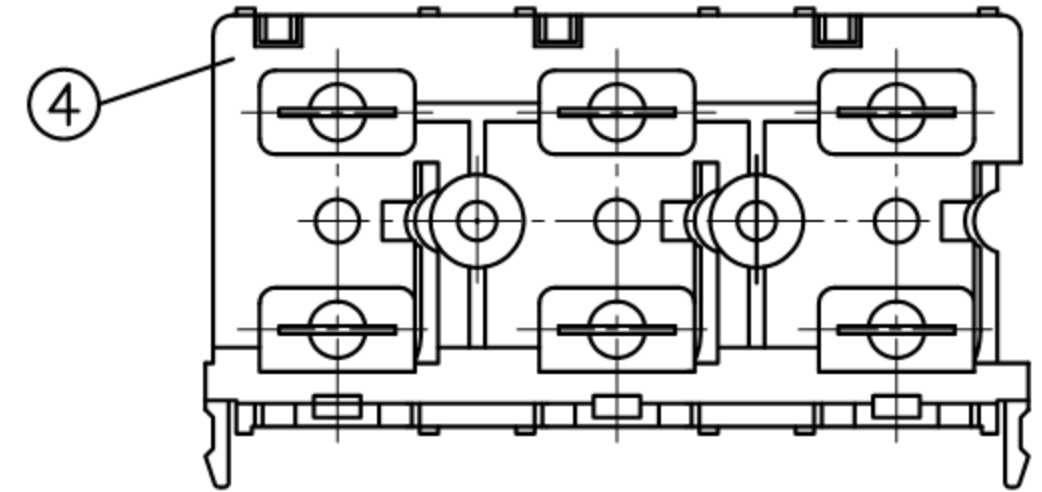
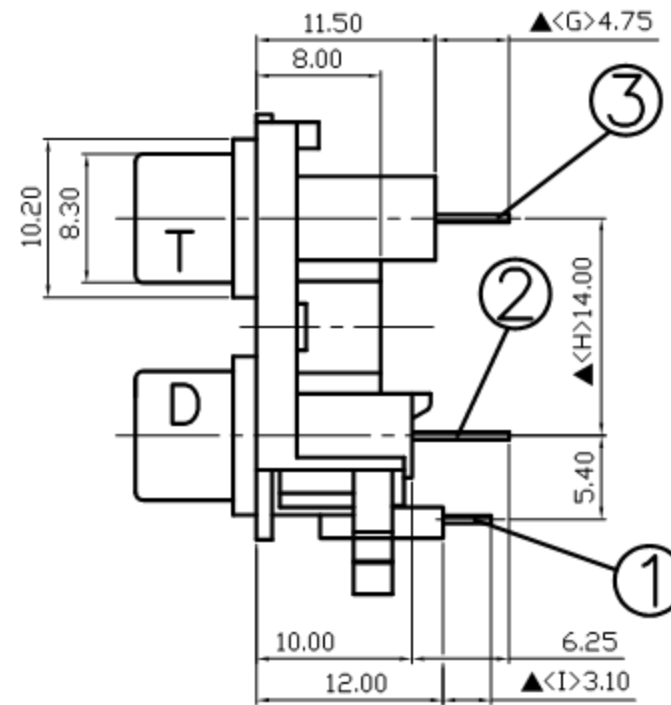
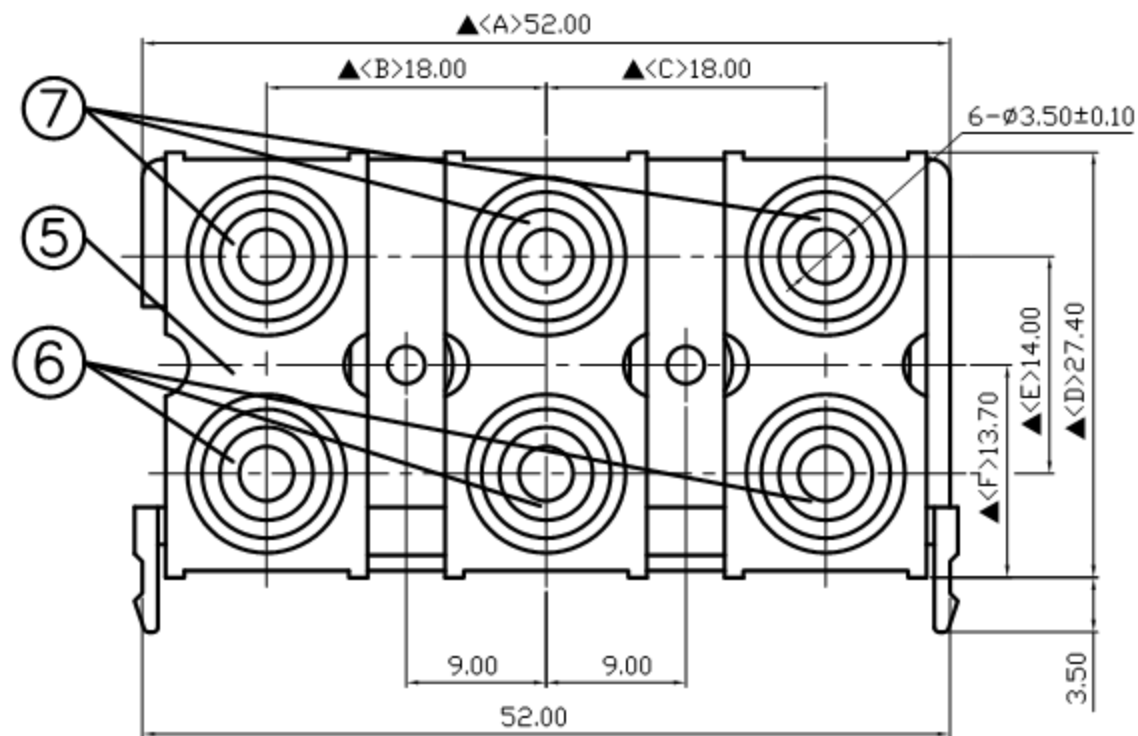
A

B

C

D

E



Pin Hole Layout
(Jack Bottom View)

7.	Washer L&C&R (T)	PBT	3	White Color
6.	Washer L&C&R (D)	PBT	3	Red Color
5.	Cover	ABS	3	Black Color
4.	Base	ABS	1	White Color
3.	Terminal T	0.5T Brass	3	Silver Plated
2.	Terminal D	0.5T Brass	3	Silver Plated
1.	Earth Terminal (Barrel)	0.5T Brass	3	Nickel Plated
NO.	Description	Material	Q'TY	Finish

 广东科斯达电子科技有限公司
GUANG DONG KE SI DA ELECTRONIC TECHNOLOGY CO., LTD.

DATE	DWN	CHKD	APVD	MANAGER
12.20.2005				

PART NAME : PIN JACK

PART NUMBER:SCP6833NS323232G

VERSION:5.0

TOLERANCE : $\pm 0.3\text{mm}$ UNLESS OTHERWISE SPECIFIED

UNIT:mm



SCALE:1/1

RoHS
CompliantFor Reference
僅供參考

SPECIFICATIONS:
 Contact Resistance : $30\text{m}\Omega$ max
 Insulation Resistance : $100\text{M}\Omega$ min. at DC 500V
 Dielectric Withstand Voltage : AC 500V for one minute
 Remark: ▲ : The Most Important Dimension

1

2

3

4

5

6

7

A

B

C

D

E