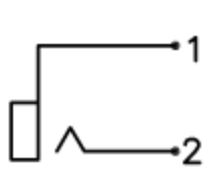
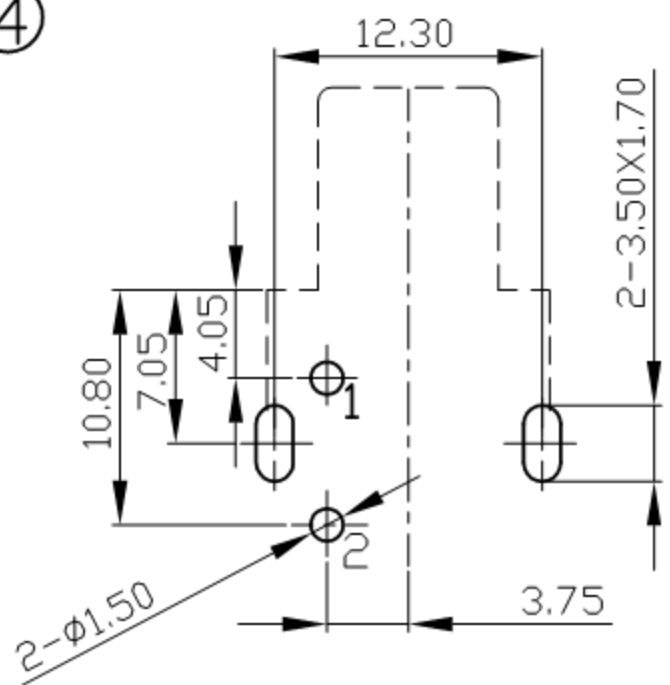
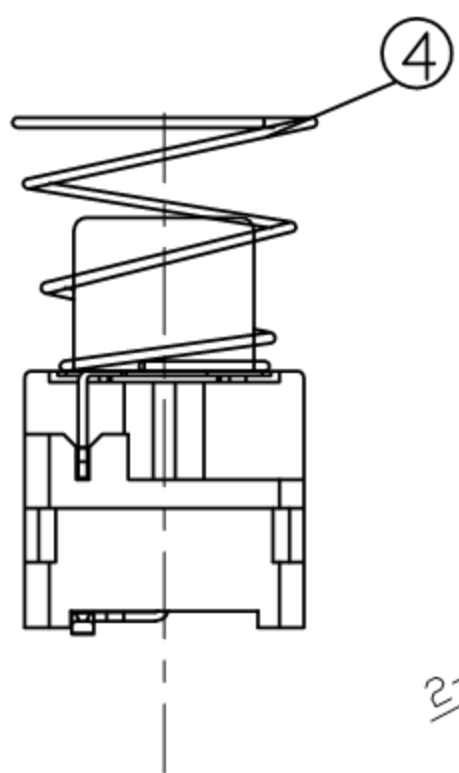
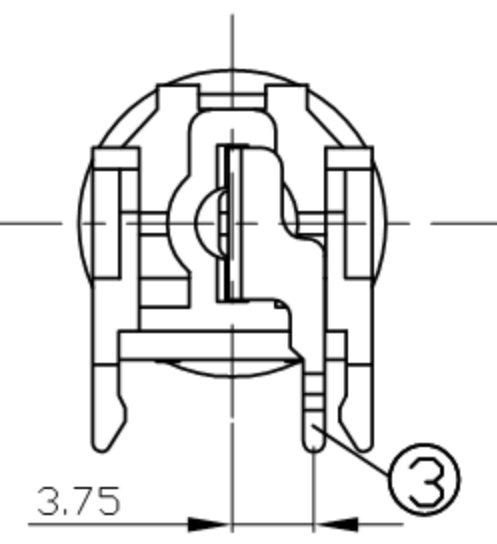
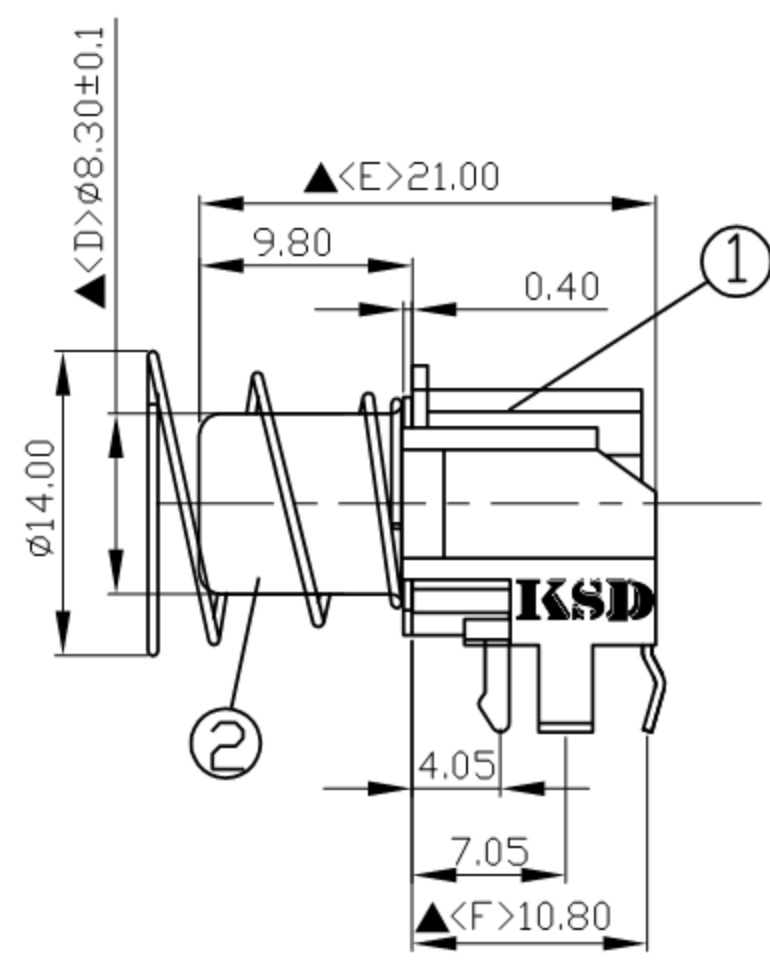
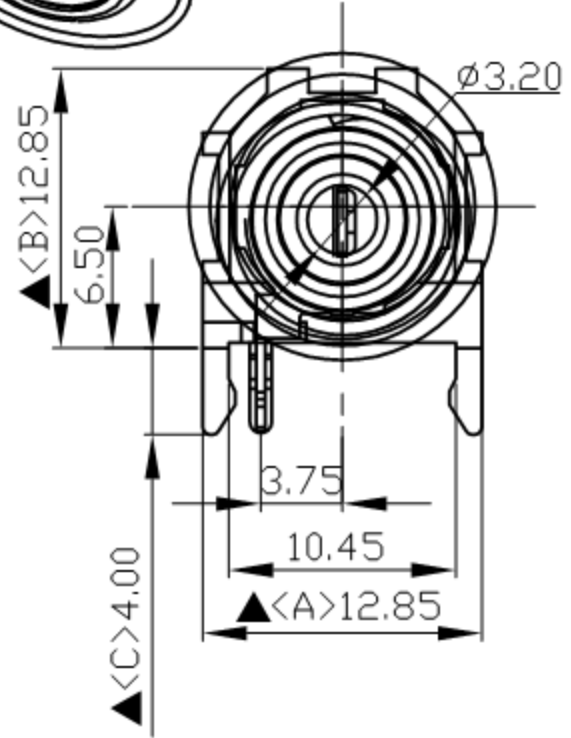
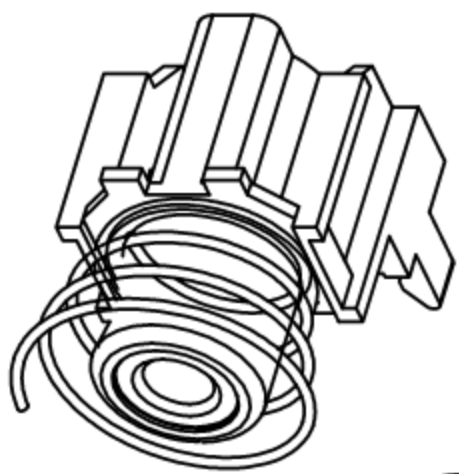


SCHEMATIC	
MODEL NO	U



Pin Hole Layout
(Jack Bottom View)

4.	Spring	SWC ø0.5	1	Nickel plated
3.	Terminal	0.4T Bronze	1	Gold flash
2.	Outer Contact	0.4T Bronze	1	Gold flash
1.	Housing	PA66+33%G	1	1795C Red Color
NO.	Description	Material	Q'TY	Finish

RoHS
Pb Free Process

For Reference
僅供參考

SPECIFICATIONS:
 Contact Resistance : 30mΩ max
 Insulation Resistance : 100MΩ min. at DC 500V
 Dielectric Withstand Voltage : AC 500V for one minute
 Remark: ▲: The Most Important Dimension

	广东科斯达电子科技有限公司				DATE	DWN	CHKD	APVD	MANAGER
	GUANG DONG KE SI DA ELECTRONIC TECHNOLOGY CO., LTD.				03.17.2006				

PART NAME : PIN JACK	PART NUMBER: SCP619UGG2T0000G	VERSION:3.0
----------------------	-------------------------------	-------------

TOLERANCE :±0.3mm UNLESS OTHERWISE SPECIFIED	UNIT:mm		SCALE:1/1
--	---------	---	-----------