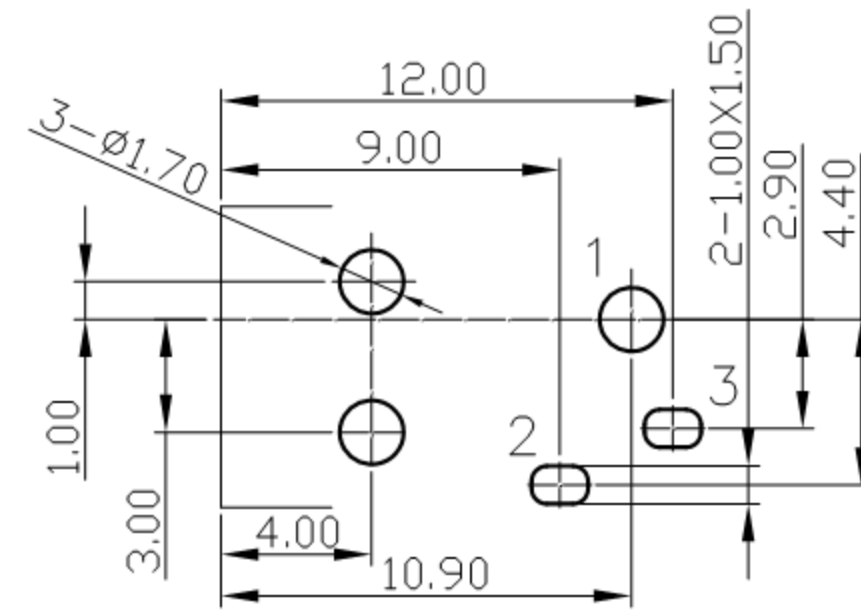
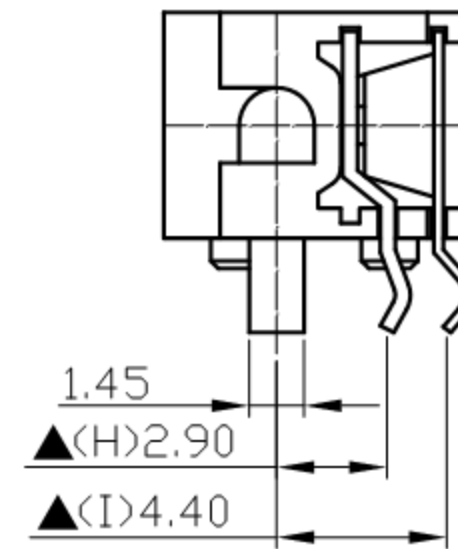
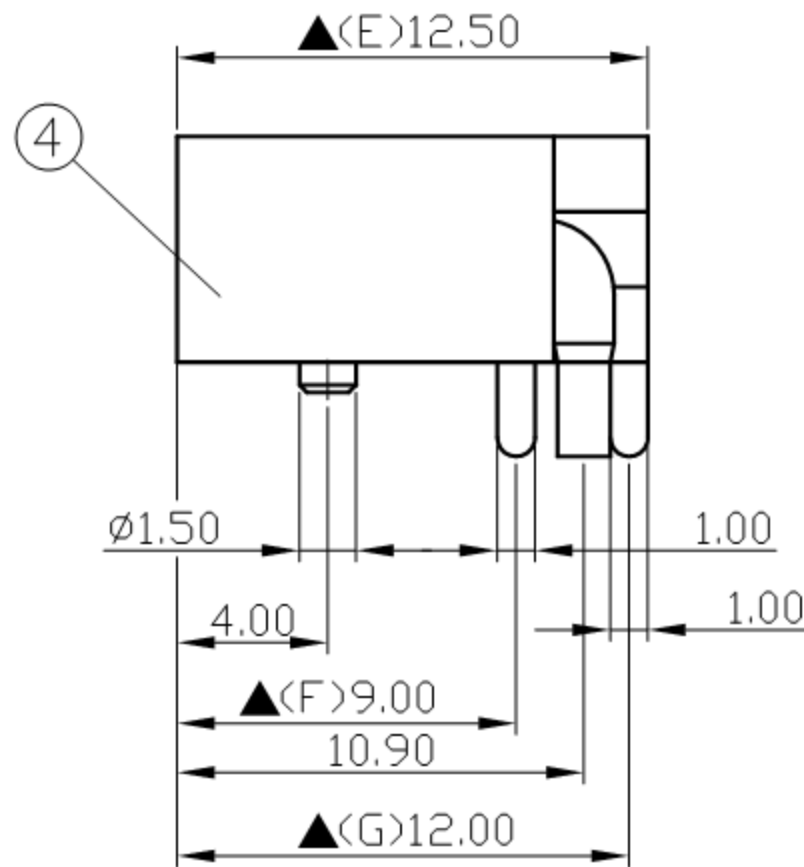
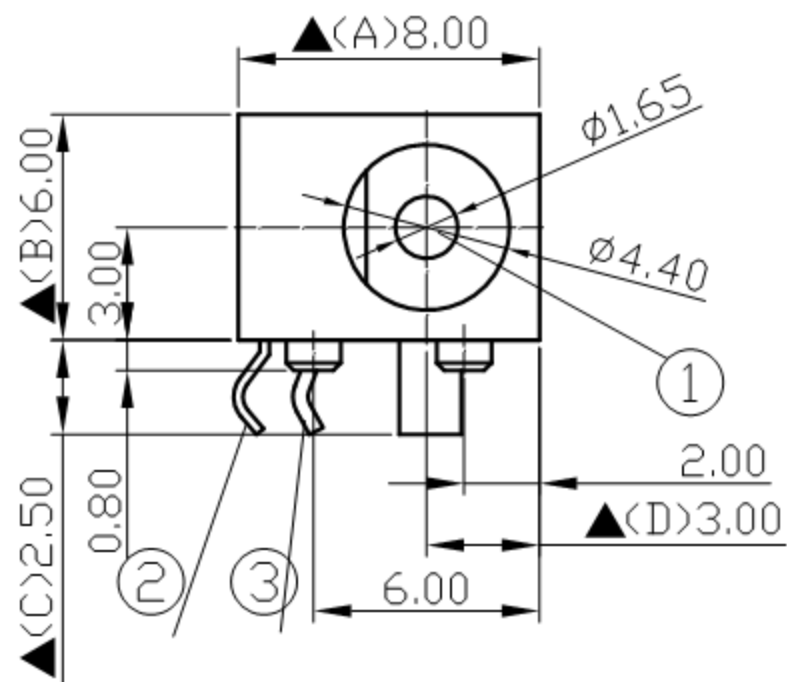
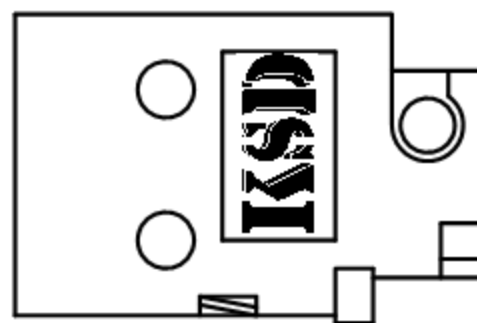


SCHEMATIC	
MODEL NO	C



Pin Hole Layout  
(Jack Bottom View)

4.	Housing	PBT+15%	1	Black
3.	Break Terminal	0.4T Brass	1	Silver Plated
2.	Sleeve Spring	0.25T Phosphor Bronze	1	Silver Plated
1.	Pin(1.65φ)	Brass	1	Silver Plated
NO.	Description	Material	Q'TY	Finish



广东科斯达电子科技有限公司  
GUANG DONG KE SI DA ELECTRONIC TECHNOLOGY CO., LTD.

DATE	DWN	CHKD	APVD	MANAGER
09.01.2021	王平華			

PART NAME : DC POWER JACK      PART NUMBER: SCD430BCS000B00G      VERSION: 6.0

TOLERANCE : ±0.3mm UNLESS OTHERWISE SPECIFIED      UNIT:mm      SCALE: 1/1

**SPECIFICATIONS:**  
 Contact Resistance : 30mΩ max  
 Current Rating : Max 5.0A , 24V DC  
 Insulation Resistance : 100MΩ min. at DC 500V  
 Dielectric Withstanding Voltage: AC 500V for one minute  
 Remark: ▲ : The Most Important Dimension

For Reference  
僅供參考

RoHS&SVHC  
Compliant