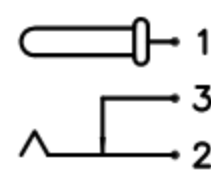
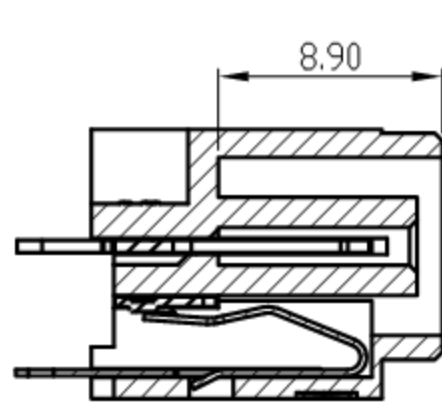
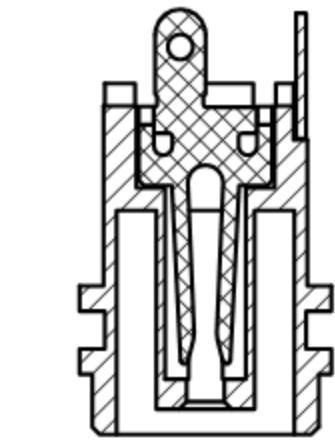
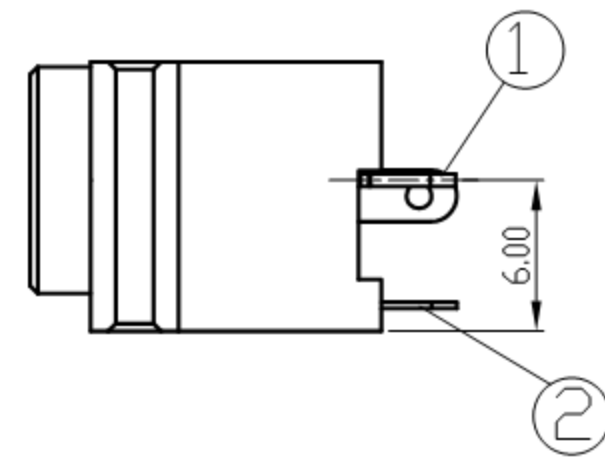
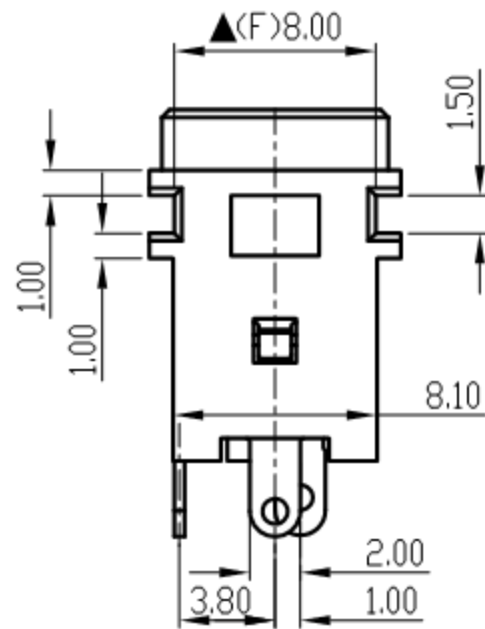
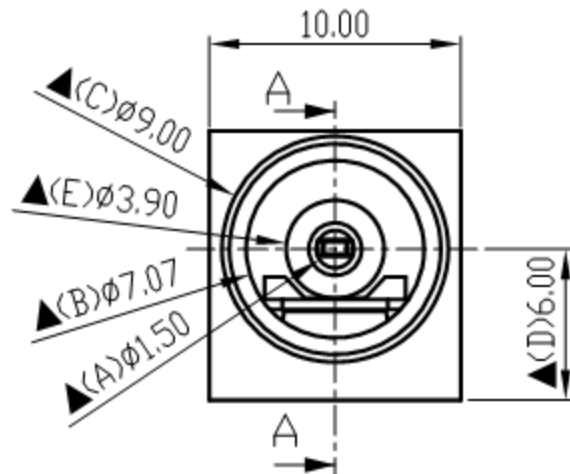
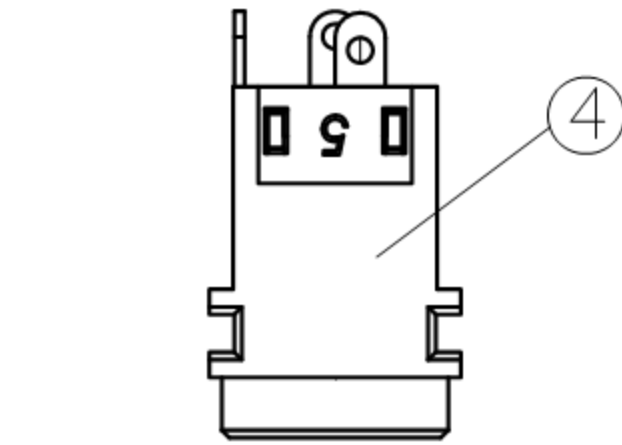
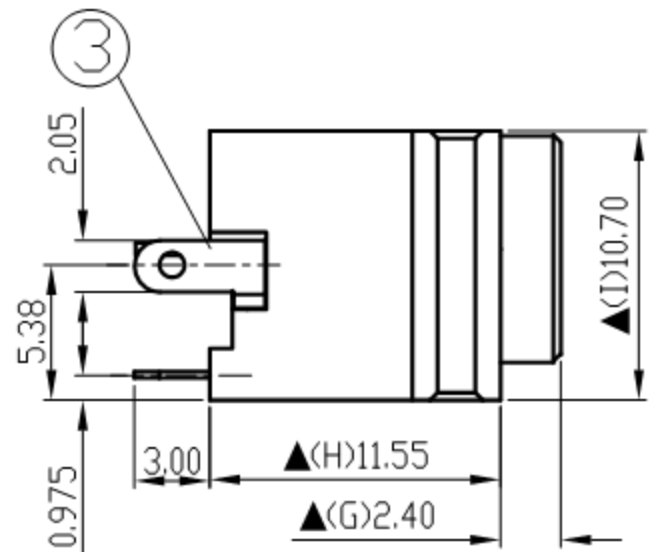


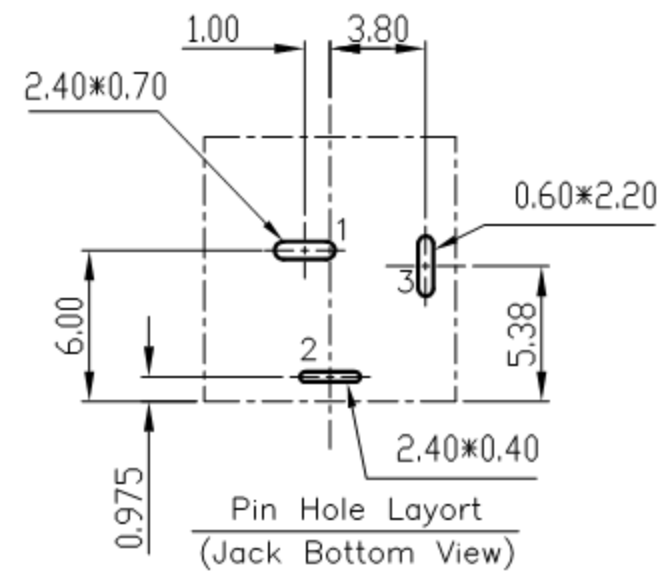
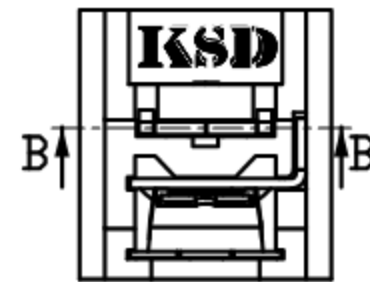
SCHEMATIC	
MODEL NO	C



SEC:A-A



SEC-B-B



Pin Hole Layout
(Jack Bottom View)

4.	Housing	PA66	1	Black Color
3.	Break Terminal	0.40T Brass	1	silver plater
2.	Pin Spring	0.25T Phosphor Bronze	1	silver plater
1.	Pin Terminal	0.50T Brass	1	silver plater
NO.	Description	Material	Q'TY	Finish

 **广东科斯达电子科技有限公司**
GUANG DONG KE SI DA ELECTRONIC TECHNOLOGY CO., LTD.

DATE	DWN	CHKD	APVD	MANAGER
10.13.2021	王平華			

PART NAME : DC POWER JACK	PART NUMBER: SCD463JCS000B00G	VERSION: 8.0
---------------------------	-------------------------------	--------------

TOLERANCE : ±0.3mm UNLESS OTHERWISE SPECIFIED	UNIT: mm 	SCALE: 1/1
---	--	------------

SPECIFICATIONS:
 Contact Resistance : 30mΩ max
 Current Rating : Max 5.0A , 24VDC
 Insulation Resistance : 100MΩ min. at DC 500V
 Dielectric Withstanding Voltage: AC 500V for one minute
 Remark: ▲ : The Most Important Dimension

For Reference
僅供參考

RoHS&SVHC
Pb Free Process