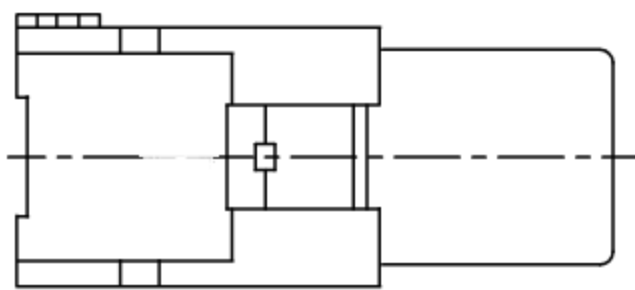
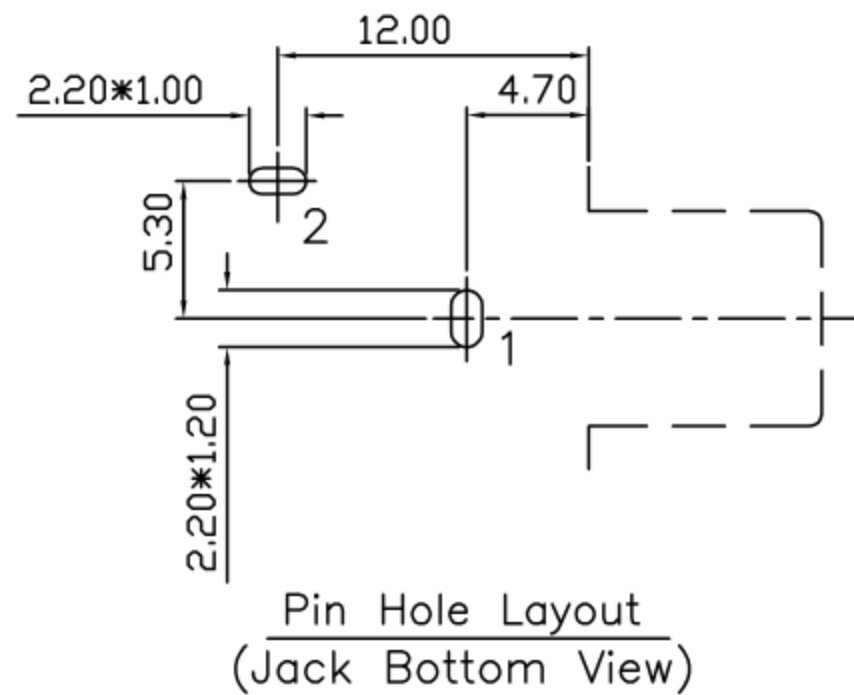
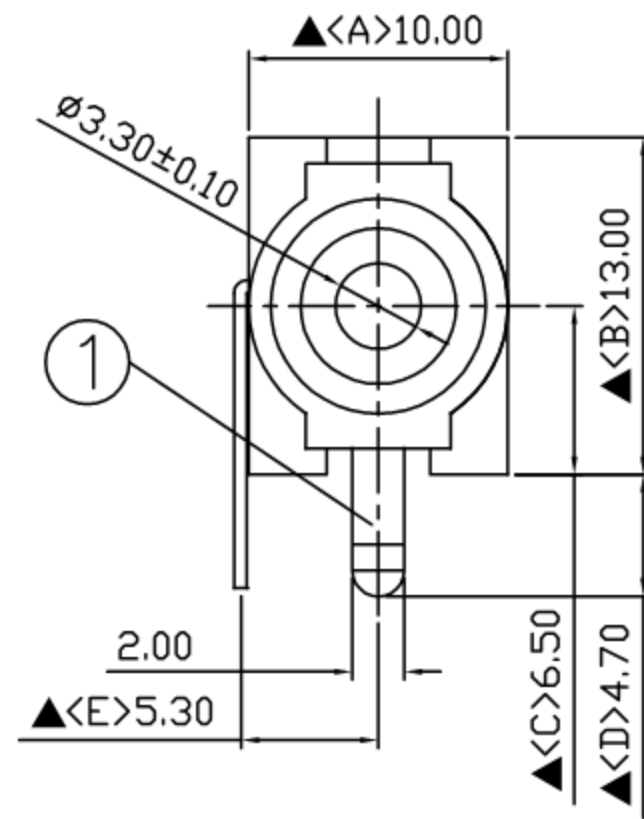
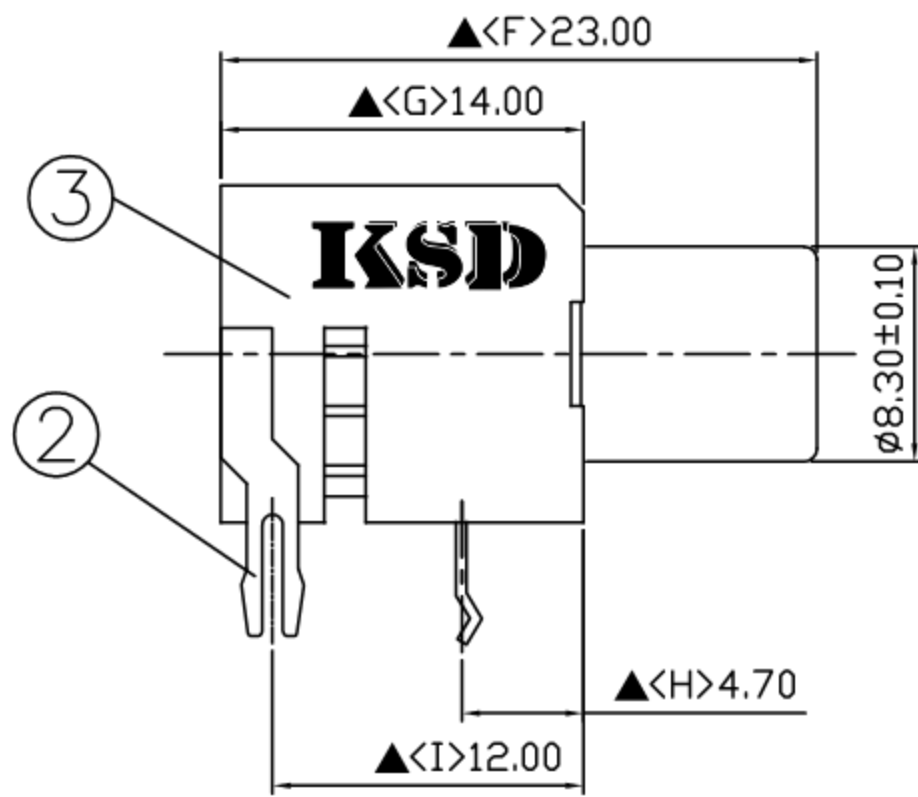


SCHMATIC	
MODEL NO	U



RoHS Compliant For Reference 僅供參考

3.	Housing	PBT	1	Black Color
2.	Contact	0.5T Brass	1	Silver Plated
1.	Earth Terminal	0.5T Brass	1	Nickel Plated
NO.	Description	Material	Q'TY	Finish

SPECIFICATIONS:
 Contact Resistance : 30mΩ max
 Insulation Resistance : 100MΩ min. at DC 500V
 Dielectric Withstanding Voltage: AC 500V for one minute
 Remark: ▲: The Most Important Dimension

广东科斯达电子科技有限公司
 GUANG DONG KE SI DA ELECTRONIC TECHNOLOGY CO., LTD.

DATE	DWN	CHKD	APVD	MANAGER
12.10.2005				

PART NAME : PIN JACK	PART NUMBER: SCP622UNS100000G	VERSION:2.0
TOLERANCE :±0.3mm UNLESS OTHERWISE SPECIFIED	UNIT:mm	SCALE:/