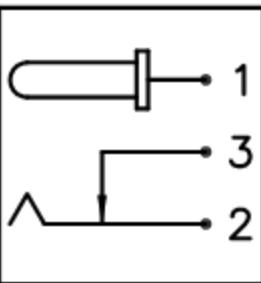
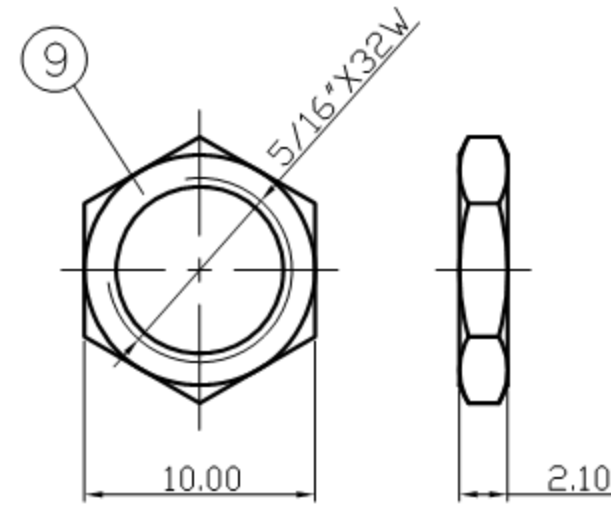
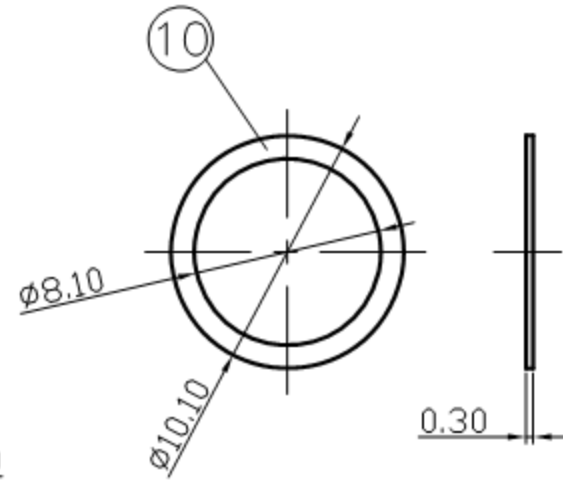


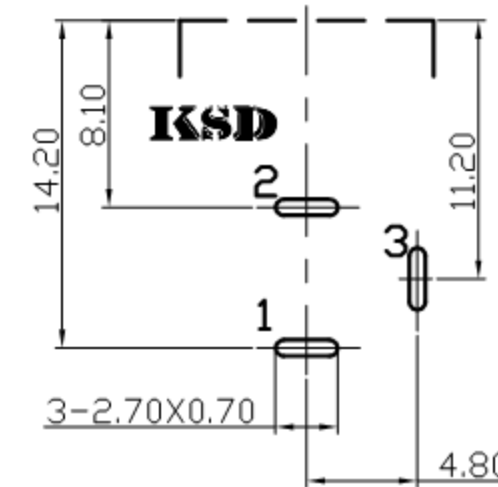
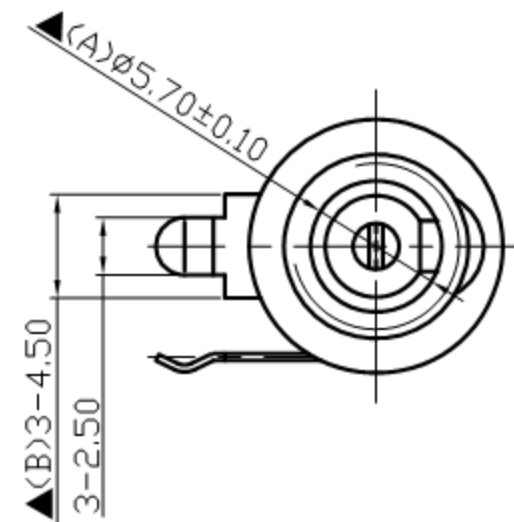
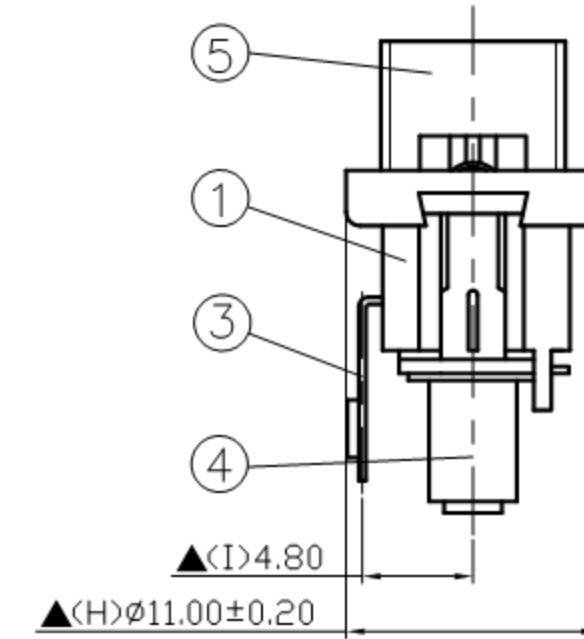
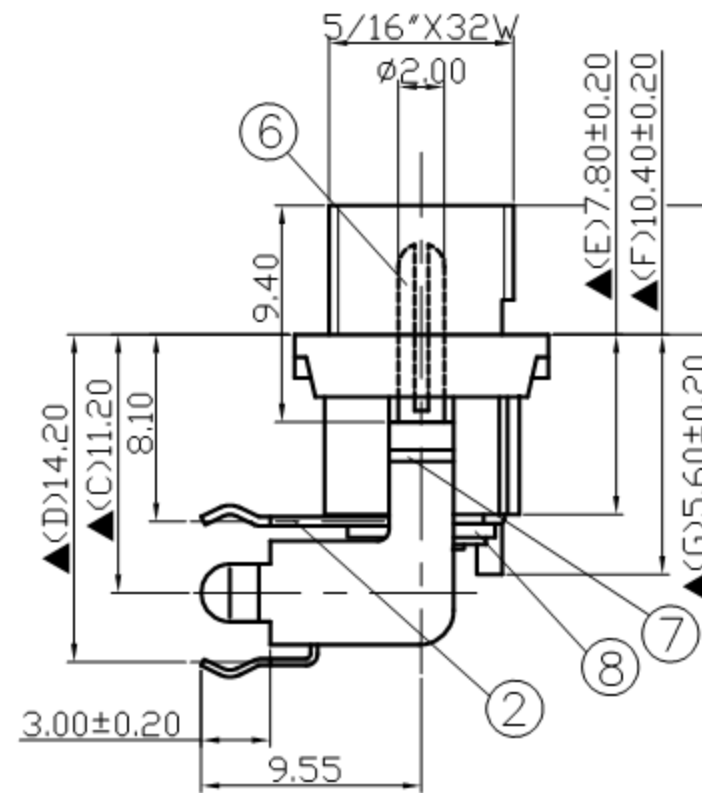
SCHEMATIC	
MODEL NO	C



NUT



WASHER




Pin Hole Layout
(Jack Bottom View)

For Redference
僅供參考

10.	Washer	0.3T Steel	1	Nickel Plated
9.	Nut	Low Lead Brass Rod	1	Nickel Plated
8.	Insulator B	Red Vulcanited Fibre	1	Red Color
7.	Insulator A	Red Vulcanited Fibre	1	Red Color
6.	Pin(2.0φ)	Low Lead Brass Rod	1	Nickel Plated
5.	Bushing	Low Lead Brass Rod	1	Nickel Plated
4.	Pin Terminal	0.3T Brass	1	Silver Plated
3.	Break Terminal	0.3T Brass	1	Silver Plated
2.	Sleeve Spring	0.4T Phosphor Bronze	1	Silver Plated
1.	Housing	PBT+15%	1	Black Color
NO.	Description	Material	Q'TY	Finish

 广东科斯达电子科技有限公司 GUANG DONG KE SI DA ELECTRONIC TECHNOLOGY CO., LTD.	DATE	DWN	CHKD	APVD	MANAGER
	06.21.2021	王平華			

PART NAME :DC POWER JACK	PART NUMBER:SCD456CCS133B00L	VERSION:2.0
TOLERANCE :±0.3mm UNLESS OTHERWISE SPECIFIED	UNIT:mm 	SCALE:1/1

SPECIFICATIONS:
 Contact Resistance : 30mΩ max
 Current Rating : Max 5.0A , 24V DC
 Insulation Resistance : 100MΩ min. at DC 500V
 Dielectric Withstanding Voltage: AC 500V for one minute
 Remark: ▲: The Most Important Dimension

RoHS&SVHC
Compliant