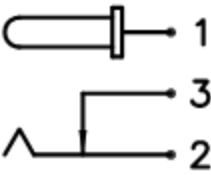
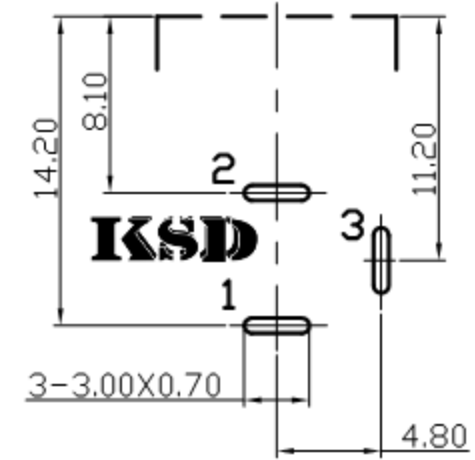
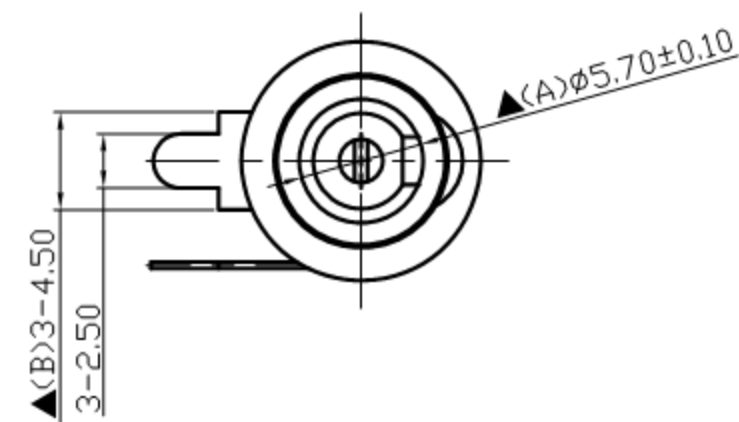
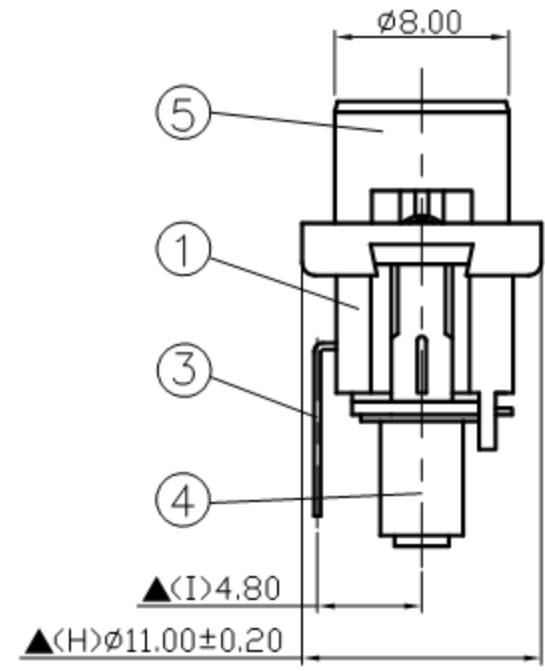
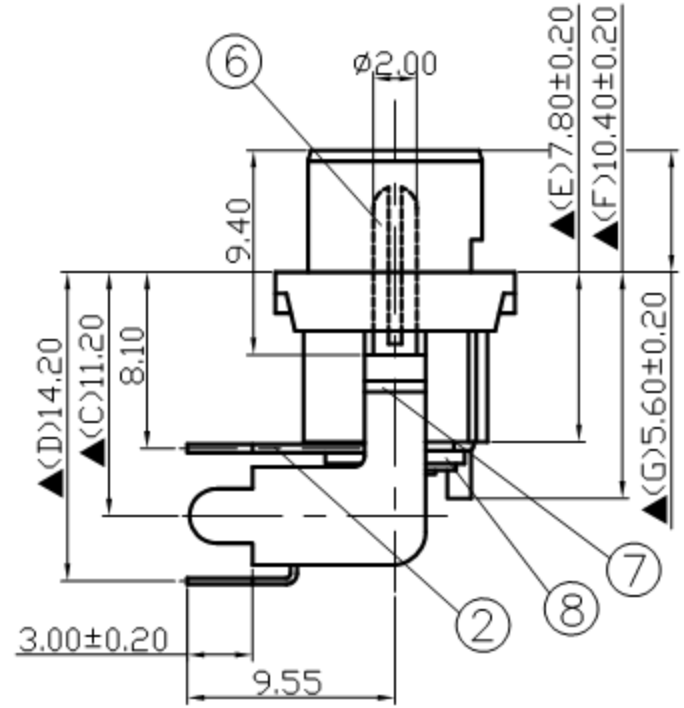


| | |
|-----------|---|
| SCHEMATIC |  |
| MODEL NO | C |



Pin Hole Layout
(Jack Bottom View)

For Redference
僅供參考

| 8. | Insulator B | Red Vulcanited Fibre | 1 | Red Color |
|-----|------------------|----------------------|------|---------------|
| 7. | Insulator A | Red Vulcanited Fibre | 1 | Red Color |
| 6. | Pin(2.0 ϕ) | Low Lead Brass Rod | 1 | Nickel Plated |
| 5. | Bushing | Low Lead Brass Rod | 1 | Nickel Plated |
| 4. | Pin Terminal | 0.3T Brass | 1 | Silver Plated |
| 3. | Break Terminal | 0.3T Brass | 1 | Silver Plated |
| 2. | Sleeve Spring | 0.4T Phosphor Bronze | 1 | Silver Plated |
| 1. | Housing | PBT+15% | 1 | Black Color |
| NO. | Description | Material | Q'TY | Finish |

| | | | | | | |
|---|--|------------|-----|------|------|---------|
|  | 广东科斯达电子科技有限公司 GUANG DONG KE SI DA ELECTRONIC TECHNOLOGY CO., LTD. | DATE | DWN | CHKD | APVD | MANAGER |
| | | 06.21.2021 | 王平華 | | | |

| | | |
|---------------------------|-------------------------------|--------------|
| PART NAME : DC POWER JACK | PART NUMBER: SCD456CCS011B00L | VERSION: 1.0 |
|---------------------------|-------------------------------|--------------|

| | | |
|---|--|------------|
| TOLERANCE : ± 0.3 mm UNLESS OTHERWISE SPECIFIED | UNIT: mm  | SCALE: 1/1 |
|---|--|------------|

SPECIFICATIONS:
 Contact Resistance : 30m Ω max
 Current Rating : Max 5.0A , 24V DC
 Insulation Resistance : 100M Ω min. at DC 500V
 Dielectric Withstanding Voltage: AC 500V for one minute
 Remark: ▲: The Most Important Dimension

RoHS&SVHC
Compliant