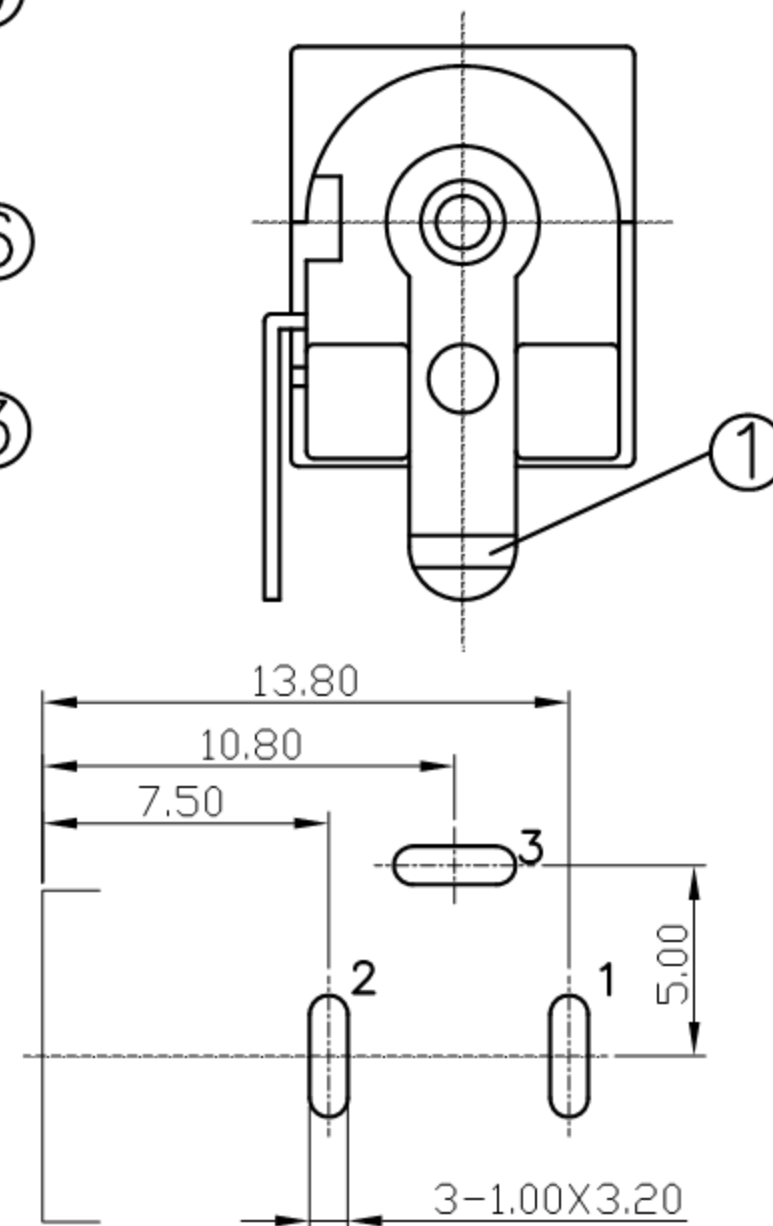
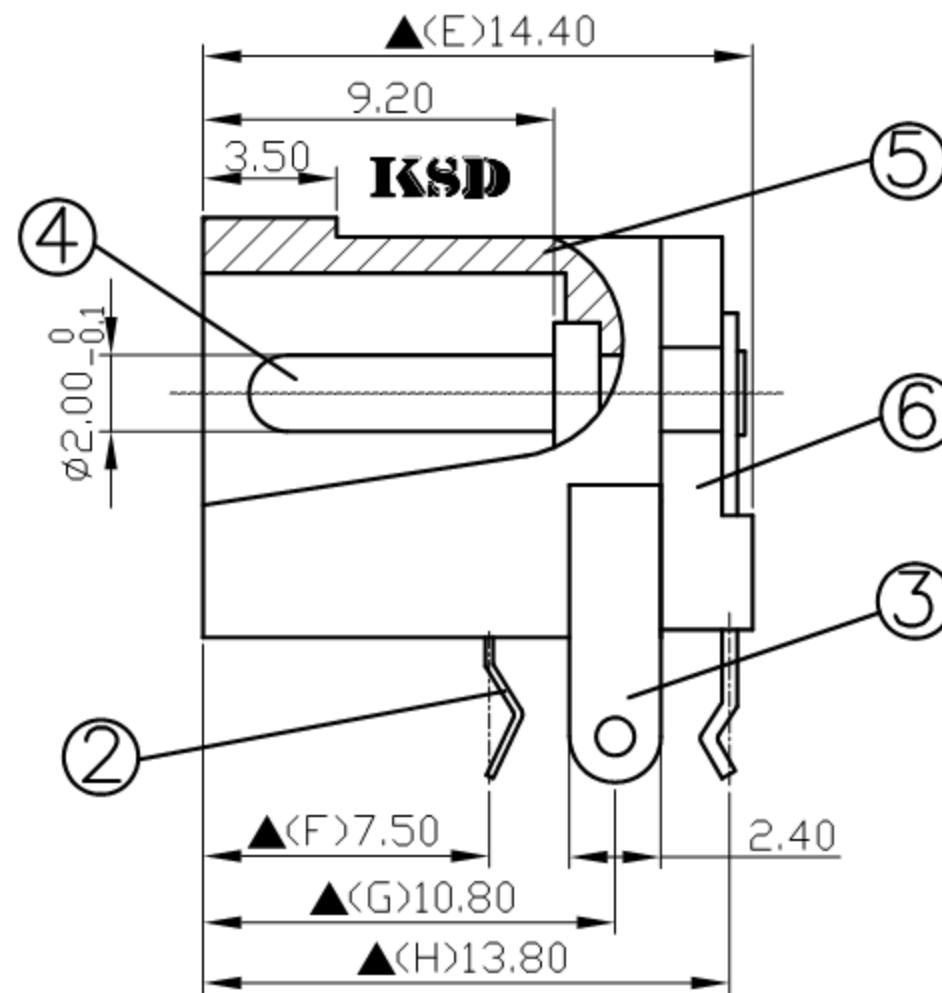
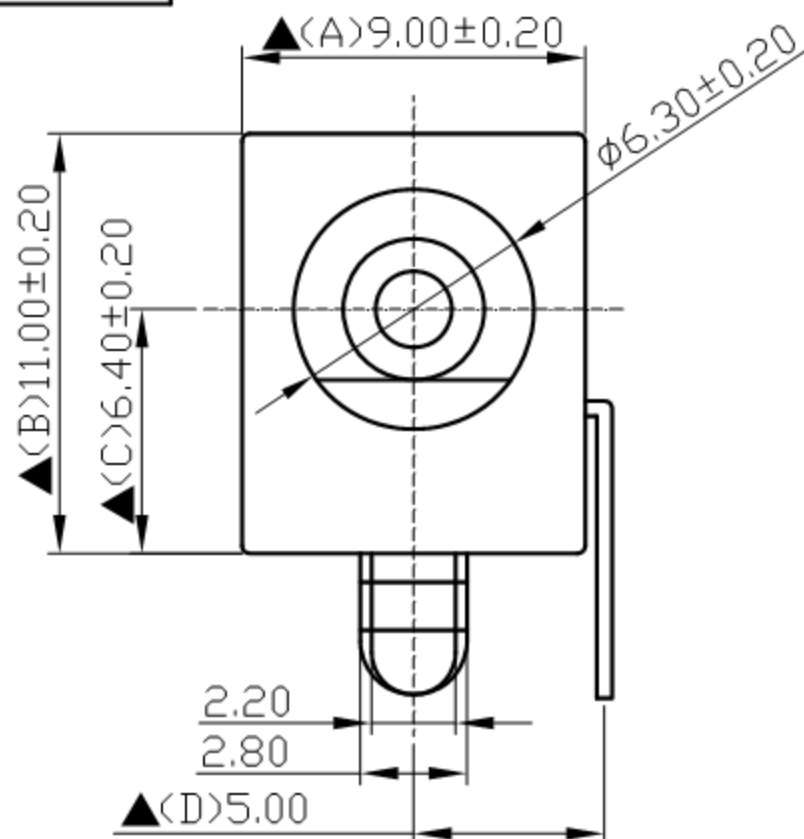


SCHEMATIC	
MODEL NO	C



Pin Hole Layout
(Jack Bottom View)

For Reference
僅供參考

RoHS&SVHC
Compliant

6.	Cover	PBT+30%	1	Black Color
5.	Housing	PBT+30%	1	Black Color
4.	Pin(2.0φ)	Brass	1	Nickel Plated
3.	Break Terminal	0.4T Brass	1	Silver Plated
2.	Sleeve Spring	0.2T Phosphor Bronze	1	Silver Plated
1.	Pin Terminal	0.4T Brass	1	Silver Plated
NO.	Description	Material	Q'TY	Finish

DATE	DWN	CHKD	APVD	MANAGER
09.27.2021	王平華			

广东科斯达电子科技有限公司
GUANG DONG KE SI DA ELECTRONIC TECHNOLOGY CO., LTD.

PART NAME : DC POWER JACK PART NUMBER: SCD441CCS013B00G VERSION: 8.0

TOLERANCE : ±0.3mm UNLESS OTHERWISE SPECIFIED UNIT: mm SCALE: 1/1

SPECIFICATIONS:
 Contact Resistance : 30mΩ max
 Current Rating : Max 5.0A, 24V DC
 Insulation Resistance : 100MΩ min. at DC 500V
 Dielectric Withstanding Voltage: AC 500V for one minute
 Remark: ▲: The Most Important Dimension