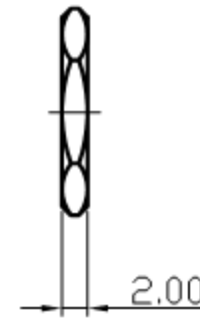
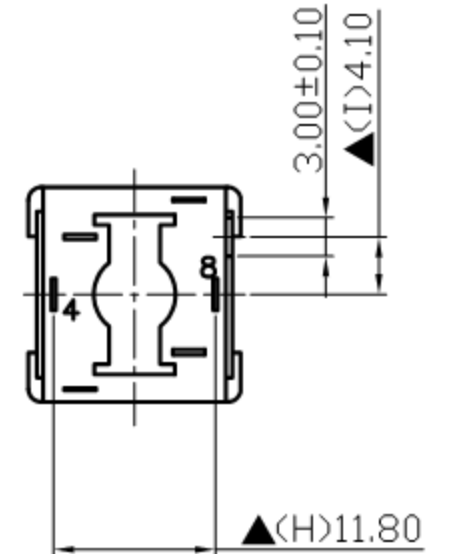
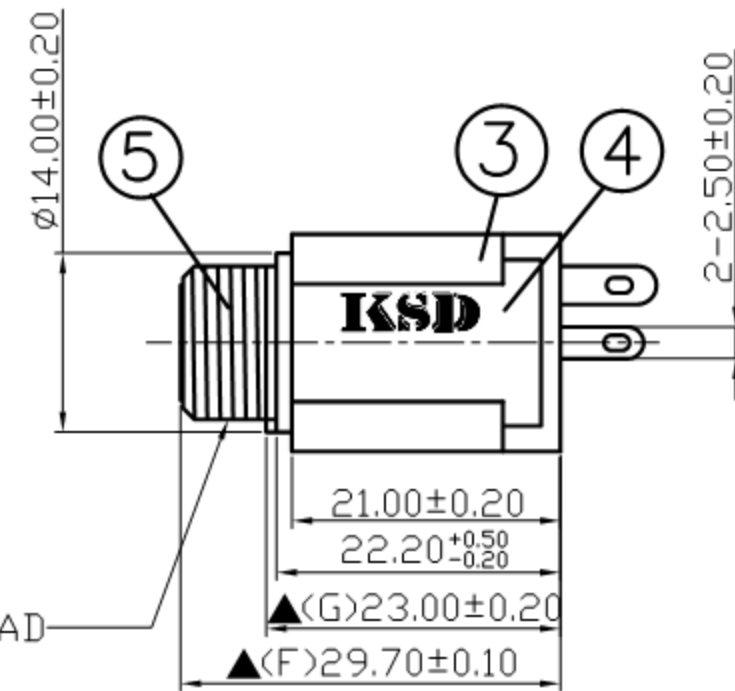
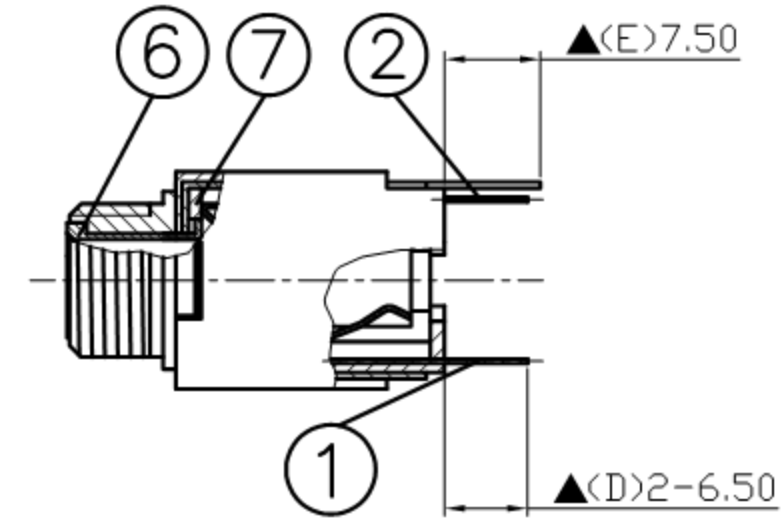
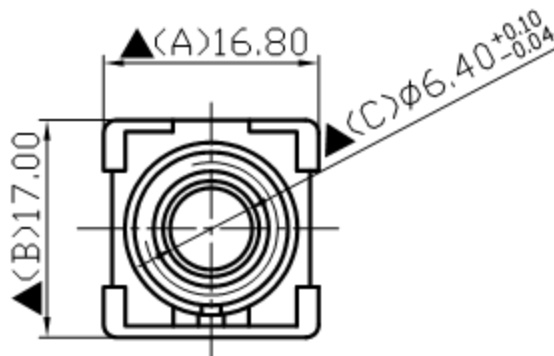
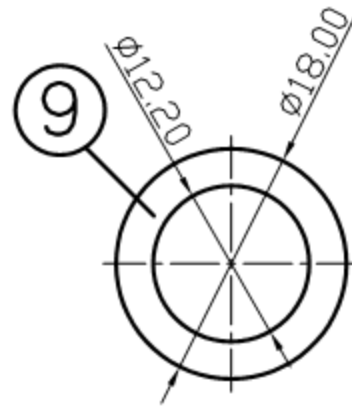


NUT



WASHER



M12XP1.0 METRIC THREAD

NO.	Description	Material	Q'TY	Finish
9.	Washer	0.5T Steel	1	Nickel Plated
8.	Nut	2.0T Steel	1	Nickel Plated
7.	Insulator	Red Vulcanited Fibre	1	Red Color
6.	Bushing	Brass	1	Nickel Plated
5.	Barrel(W/Thread)	Brass	1	Black Color
4.	Cover	0.5T Steel	1	Nickel Plated
3.	Housing	POM	1	Black Color
2.	Ring Spring	0.35T Phosphor Bronze	1	Silver Plated
1.	Tip Spring	0.35T Phosphor Bronze	1	Silver Plated

广东科斯达电子科技有限公司 GUANG DONG KE SI DA ELECTRONIC TECHNOLOGY CO., LTD.	DATE	DWN	CHKD	APVD	MANAGER
	10.12.2011				

PART NAME :6.3φ PHONE JACK	PART NUMBER:SCJ610R3NAS1B11G	VERSION:4.0
----------------------------	------------------------------	-------------

TOLERANCE :±0.3mm UNLESS OTHERWISE SPECIFIED	UNIT:mm	SCALE:1/1
--	---------	-----------

SPECIFICATIONS:
 Contact Resistance : 30mΩ max
 Insulation Resistance : 100MΩ min. at DC 500V
 Dielectric Withstand Voltage : AC 500V for one minute
 Remark: ▲ : The Most Important Dimension