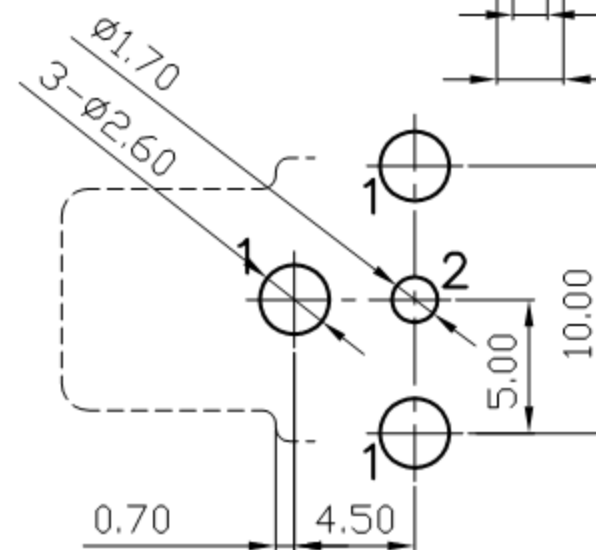
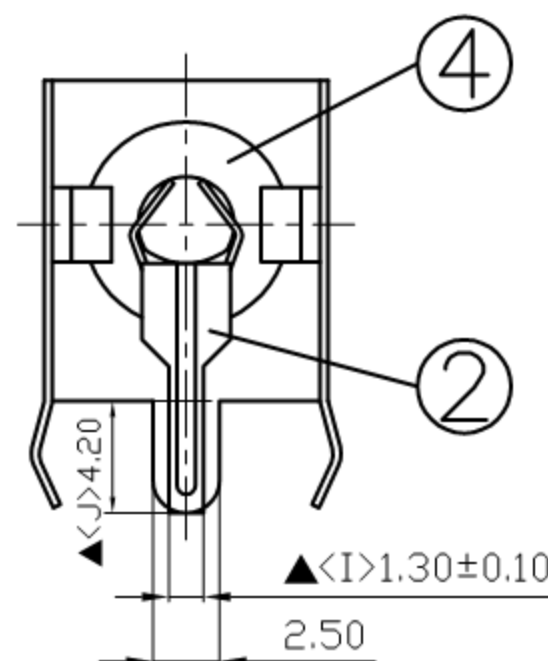
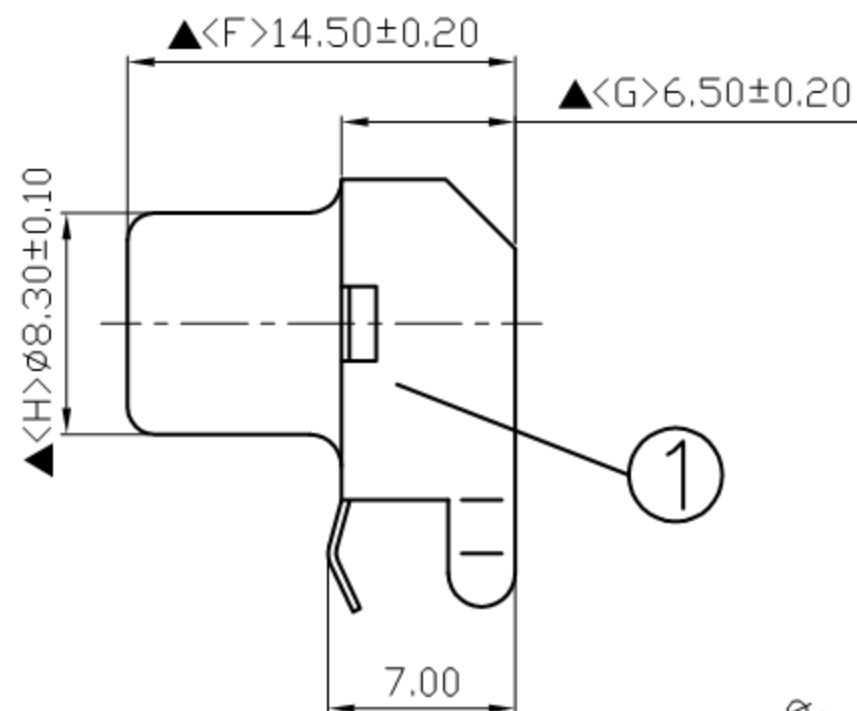
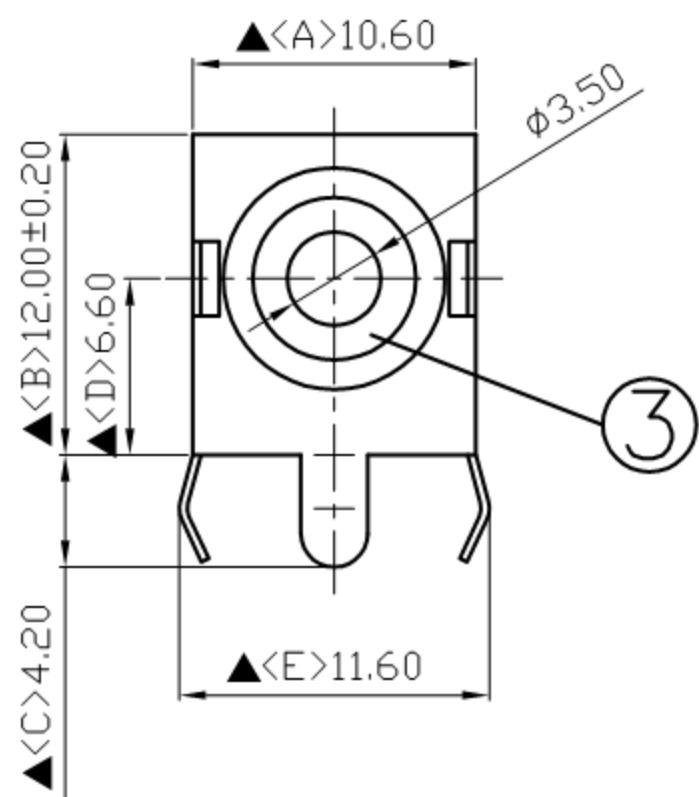
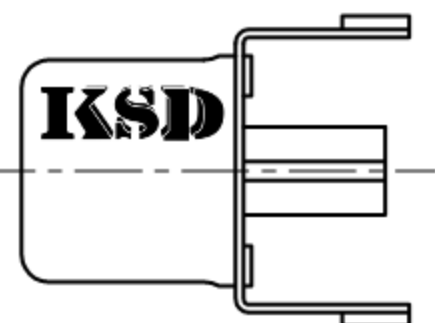


SCHEMATIC	
MODEL NO	U



Pin Hole Layout  
(Jack Bottom View)

4.	Insulator	PBT	1	Black Color
3.	Insulator	PBT	1	Black Color
2.	Terminal	0.25T Brass	1	Tin Plating
1.	Shell	0.3T Iron	1	Tin Plating
NO.	Description	Material	Q'TY	Finish

	广东科斯达电子科技有限公司 GUANG DONG KE SI DA ELECTRONIC TECHNOLOGY CO., LTD.	DATE	DWN	CHKD	APVD	MANAGER
		08.04.2008				

PART NAME:PIN JACK	PART NUMBER:SCP604U0T1T0000G	VERSION:5.0
--------------------	------------------------------	-------------

TOLERANCE:±0.3mm UNLESS OTHERWISE SPECIFIED	UNIT:mm		SCALE:1/1
---	---------	--	-----------

SPECIFICATIONS:  
 Contact Resistance :30mΩ max  
 Insulation Resistance :100MΩ min.at DC500V  
 Dielectric Withstand Voltage:AC 500V for one minute  
 Remark: ? :The Most Important Dimension

RoHS Compliant For Reference  
 僅供參考