

1 2 3 4 5 6 7

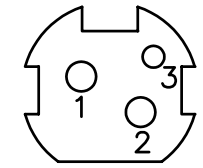
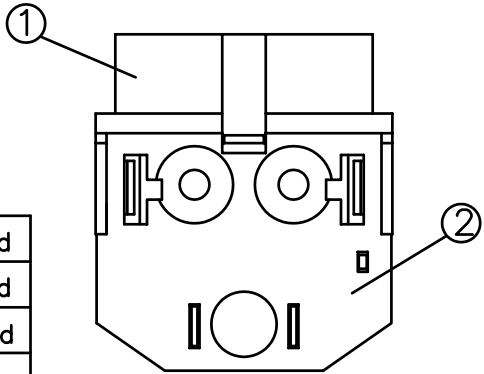
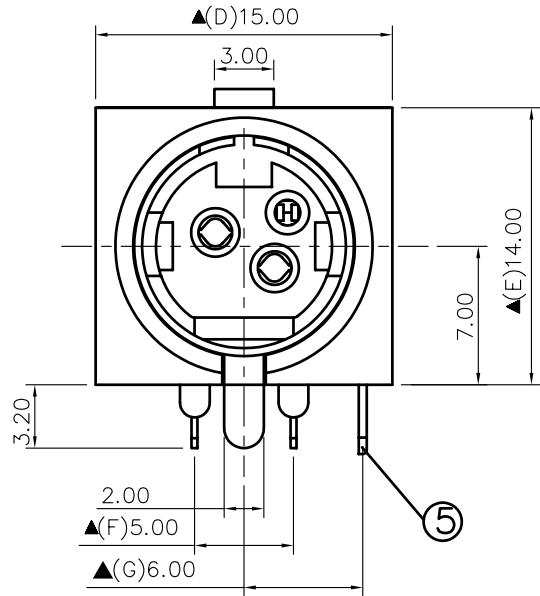
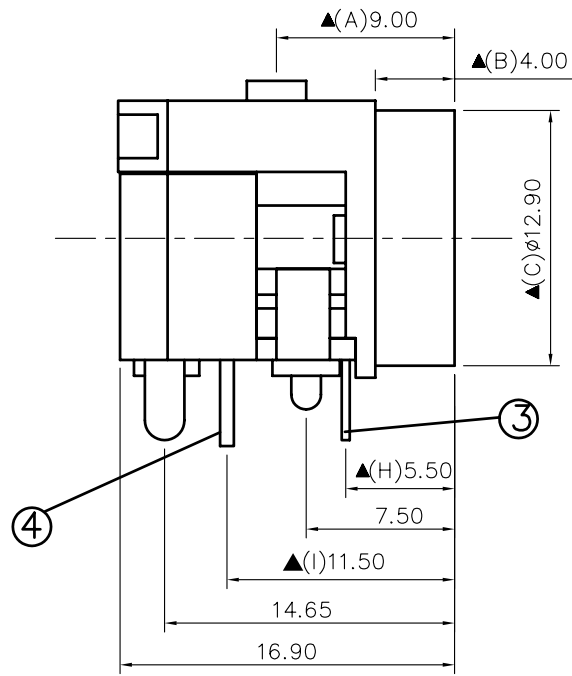
A

B

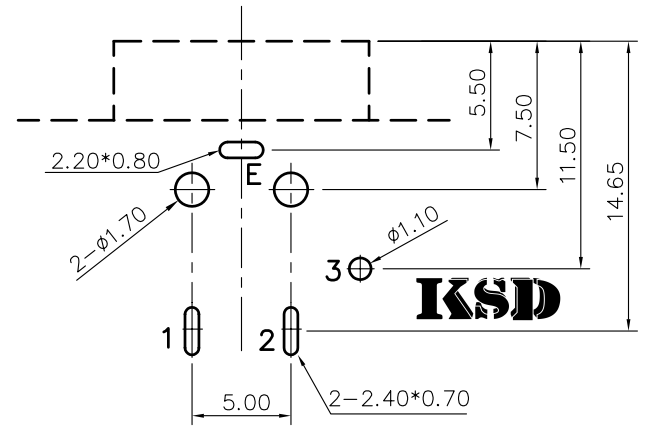
C

D

E



Arrangement of Contact



Pin Hole Layout  
<Jack Bottom View>

5.	Terminal	0.2T Phosphor copper	1	Silver Plated
4.	Terminal	0.3T Brass	2	Silver Plated
3.	Inner shield	0.4T Brass	1	Nickel Plated
2.	Cover	PBT	1	Black Color
1.	Housing	PBT	1	Black Color
NO.	Description	Material	Q'TY	Finish

广东科斯达电子科技有限公司 GUANG DONG KE SI DA ELECTRONIC TECHNOLOGY CO., LTD.	DATE	DWN	CHKD	APVD	MANAGER
	05.16.2012				

PART NAME : DIN JACK	PART NUMBER:SCN771S3NS0B001G	VERSION:5.0
----------------------	------------------------------	-------------

TOLERANCE :±0.3mm UNLESS OTHERWISE SPECIFIED	UNIT:mm		SCALE:1/1
--	---------	--	-----------

SPECIFICATIONS:  
 Current Rating : Max 5.0A , 24V DC  
 Contact Resistance : 30mΩ max  
 Insulation Resistance : 100MΩ min. at DC 500V  
 Dielectric Withstand Voltage : AC 500V for one minute  
 Remark: ▲ : The Most Important Dimension

RoHS Compliant For Reference 僅供參考

1 2 3 4 5 6 7