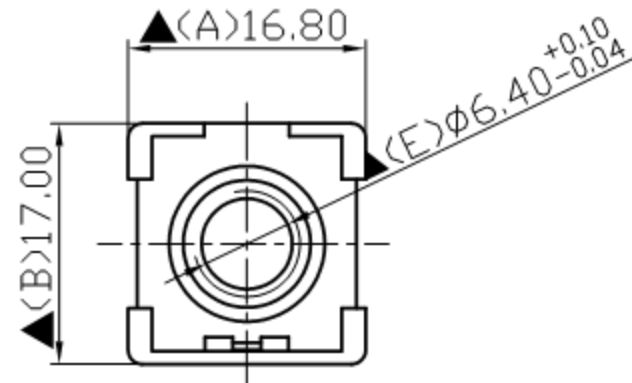
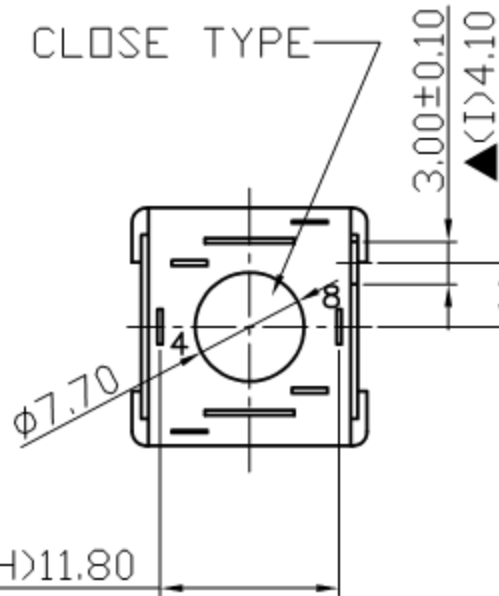
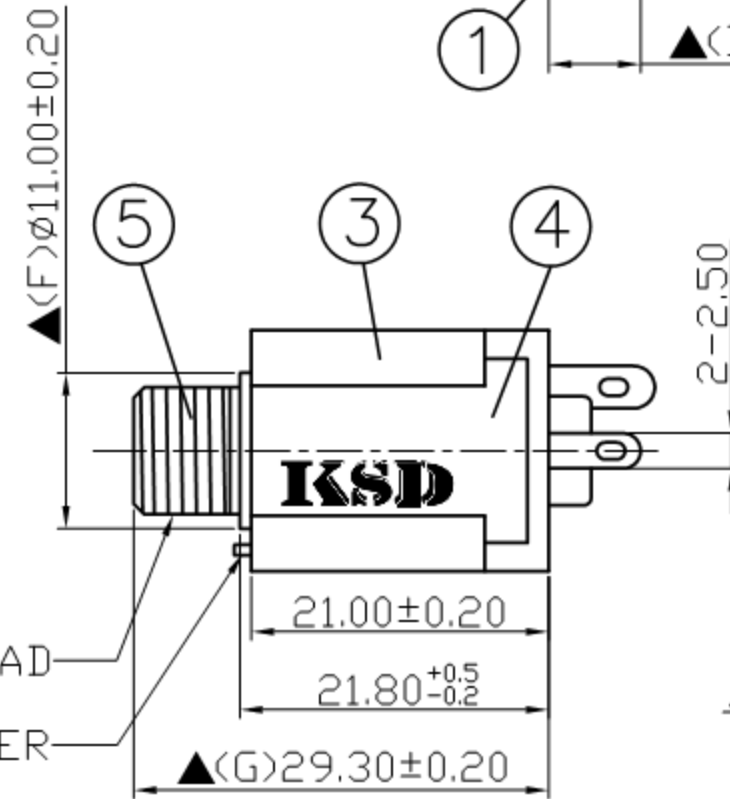


WASHER



M9XP0.75 METRIC THREAD

WITH STOPPER



NO.	Description	Material	Q'TY	Finish
8.	Washer	0.5T Steel	1	Nickel Plated
7.	Nut	2.0T Steel	1	Nickel Plated
6.	Insulator	Red Vulcanited Fibre	1	Red Color
5.	Barrel(W/Thread)	Brass	1	Nickel Plated
4.	Cover	0.5T Steel	1	Nickel Plated
3.	Housing	POM	1	Black Color
2.	Ring Spring	0.35T Phosphor Bronze	1	Silver Plated
1.	Tip Spring	0.35T Phosphor Bronze	1	Silver Plated

	广东科斯达电子科技有限公司 GUANG DONG KE SI DA ELECTRONIC TECHNOLOGY CO., LTD.	DATE	DWN	CHKD	APVD	MANAGER
		10.12.2011				

PART NAME : 6.3φ PHONE JACK	PART NUMBER: SCJ610M2NAS3B22G	VERSION: 4.0
-----------------------------	-------------------------------	--------------

TOLERANCE : ±0.3mm UNLESS OTHERWISE SPECIFIED	UNIT: mm	SCALE: 1/1
---	----------	------------

SPECIFICATIONS:
 Contact Resistance : 30mΩ max
 Insulation Resistance : 100MΩ min. at DC 500V
 Dielectric Withstanding Voltage: AC 500V for one minute
 Remark: ▲: The Most Important Dimension

RoHS Compliant

For Reference
僅供參考