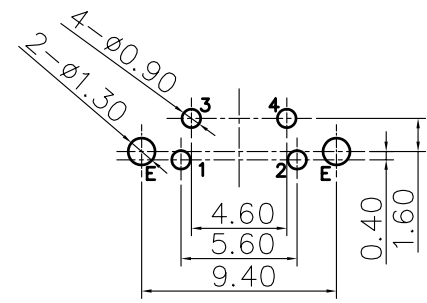
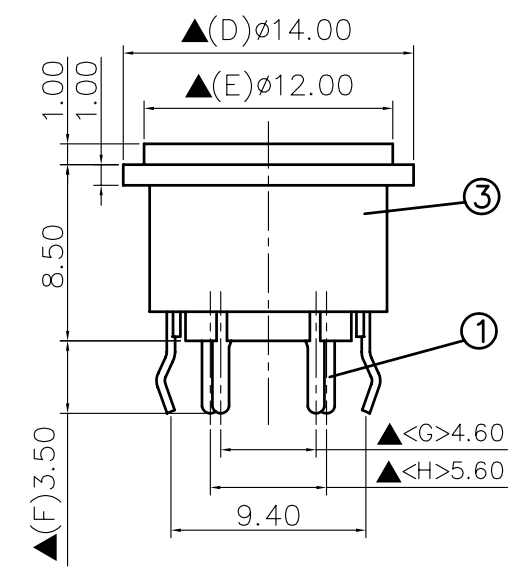
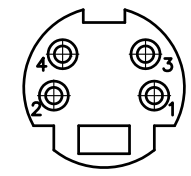


Arrangement of Contact



Pin Hole Layout  
(Jack Bottom View)

3.	Housing	PBT	1	Black Color
2.	Shell	0.4T Brass	8	Nickel Plating
1.	Terminal	0.2T Phosphor Bronze	1	Silver Plating
NO.	Description	Material	Q'TY	Finish

广东科斯达电子科技有限公司 GUANG DONG KE SI DA ELECTRONIC TECHNOLOGY CO., LTD.	DATE	DWN	CHKD	APVD	MANAGER
	10.19.2011				

PART NAME : MINI DIN JACK		PART NUMBER: SCN572S4NS0B003G		VERSION: 4.0	
TOLERANCE : ±0.3mm UNLESS OTHERWISE SPECIFIED			UNIT: mm	SCALE: 1/1	

RoHS Compliant For Reference 僅供參考

SPECIFICATIONS:  
 Contact Resistance : 30mΩ max  
 Insulation Resistance : 100MΩ min. at DC 500V  
 Dielectric Withstanding Voltage: AC 500V for one minute  
 Remark: ▲: The Most Important Dimension