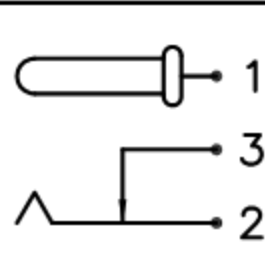
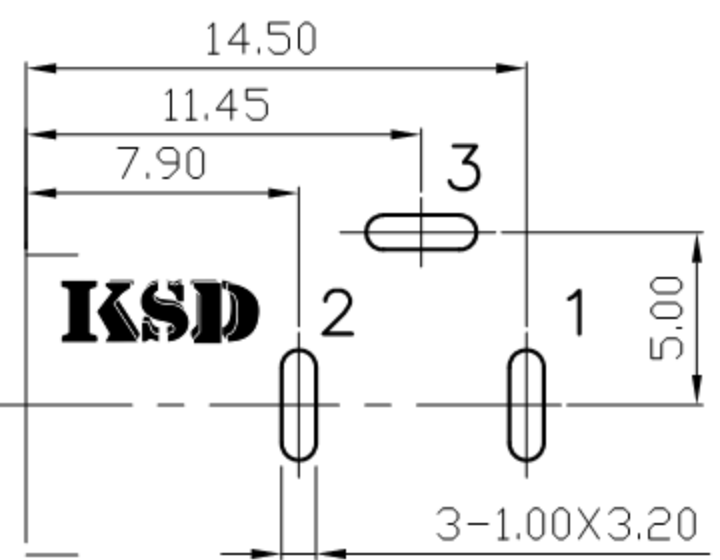
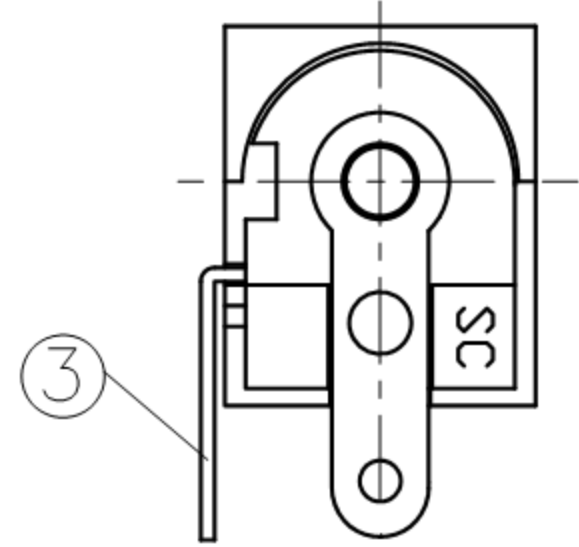
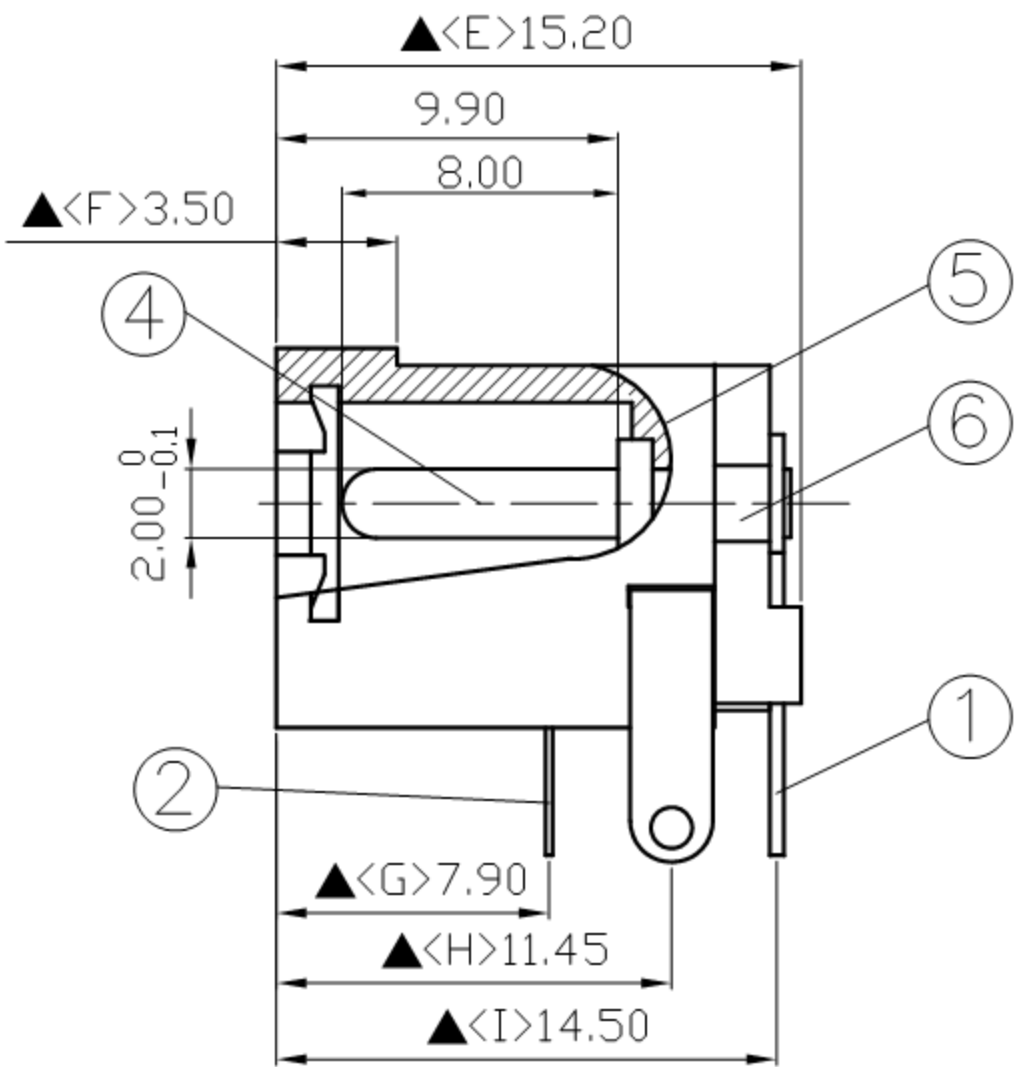
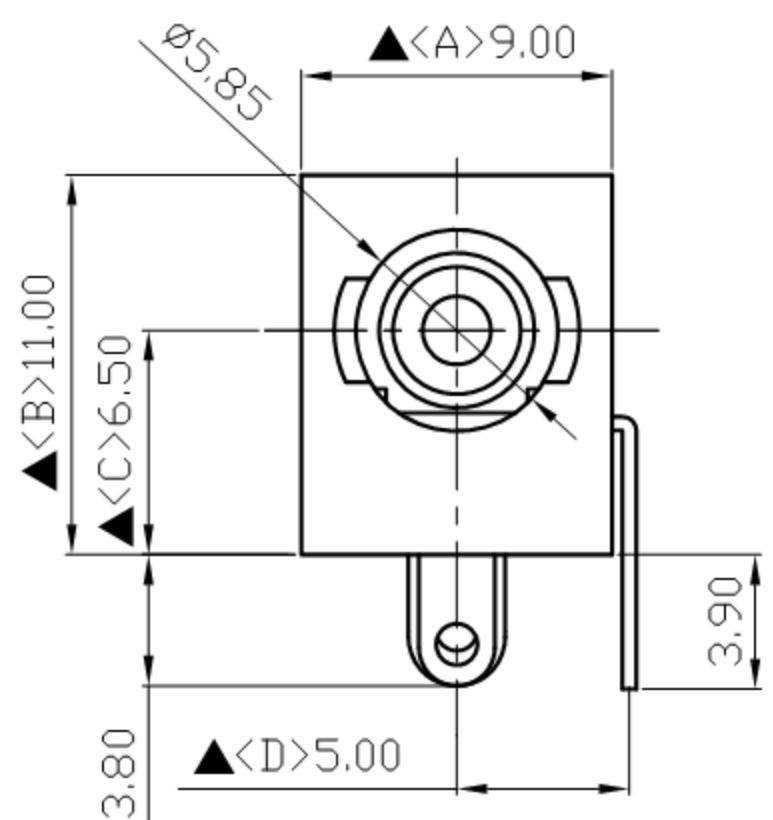


SCHEMATIC	
MODEL NO	C



Pin Hole Layout  
(Jack Bottom View)

For Redference  
僅供參考



RoHS&SVHC  
Compliant

6.	Cover	PBT+30%	1	Black Color
5.	Housing	PBT+30%	1	Black Color
4.	Pin(2.0 $\phi$ )	Brass	1	Nickel Plated
3.	Break Terminal	0.4T Brass	1	Silver Plated
2.	Sleeve Spring	0.2T Phosphor Bronze	1	Silver Plated
1.	Pin Terminal	0.4T Brass	1	Silver Plated
NO.	Description	Material	Q'TY	Finish

DATE	DWN	CHKD	APVD	MANAGER
09.29.2021	王平華			

 广东科斯达电子科技有限公司  
GUANG DONG KE SI DA ELECTRONIC TECHNOLOGY CO., LTD.

PART NAME:DC POWER JACK PART NUMBER:SCD442CCS011B00G VERSION:7.0

TOLERANCE:±0.3mm UNLESS OTHERWISE SPECIFIED UNIT:mm   SCALE:1/1

SPECIFICATIONS:  
 Contact Resistance : 30m $\Omega$  max  
 Current Rating : Max 5.0A , 24V DC  
 Insulation Resistance : 100M $\Omega$  min. at DC 500V  
 Dielectric Withstanding Voltage: AC 500V for one minute  
 Remark: ▲ : The Most Important Dimension