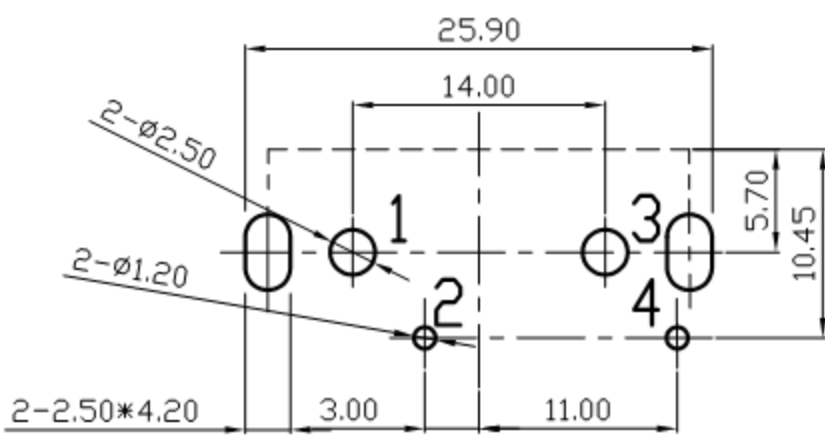


7.	Washer R	PBT	1	Red Color
6.	Washer L	PBT	1	White Color
5.	Cover	ABS	1	Black Color
4.	Housing	ABS	1	Black Color
3.	Metal Plate	0.2T Bronze	1	Nickel Plated
2.	Terminal	0.5T Bronze	2	Silver Plated
1.	Earth Terminal (Barrel)	0.4T Bronze	2	Nickel Plated
NO.	Description	Material	Q'TY	Finish



Pin Hole Layout
(Jack Bottom View)

	广东科斯达电子科技有限公司 GUANG DONG KE SI DA ELECTRONIC TECHNOLOGY CO., LTD.	DATE	DWN	CHKD	APVD	MANAGER
		09.07.2006				

PART NAME: PIN JACK	PART NUMBER: SCP6641NS320000G	VERSION: 3.0
---------------------	-------------------------------	--------------

TOLERANCE: ±0.3mm UNLESS OTHERWISE SPECIFIED	UNIT: mm	SCALE: 1/1
--	----------	------------

SPECIFICATIONS:
 Contact Resistance : 30mΩ max
 Insulation Resistance : 100MΩ min.at DC500V
 Dielectric Withstand Voltage: AC 500V for one minute
 Remark: ▲: The Most Important Dimension

RoHS Compliant
 For Reference
 僅供參考