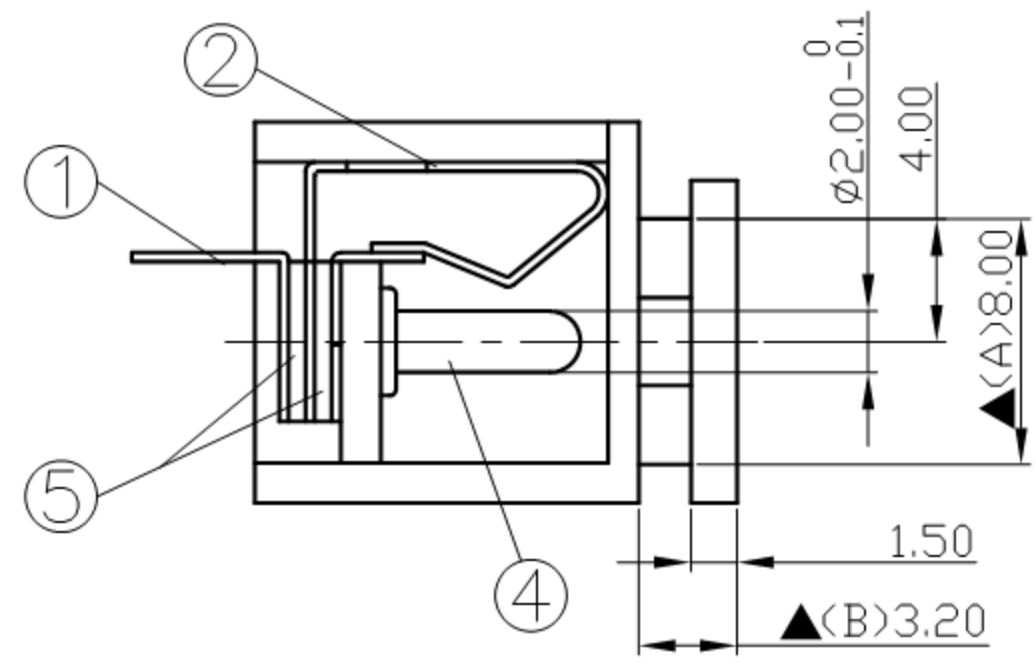
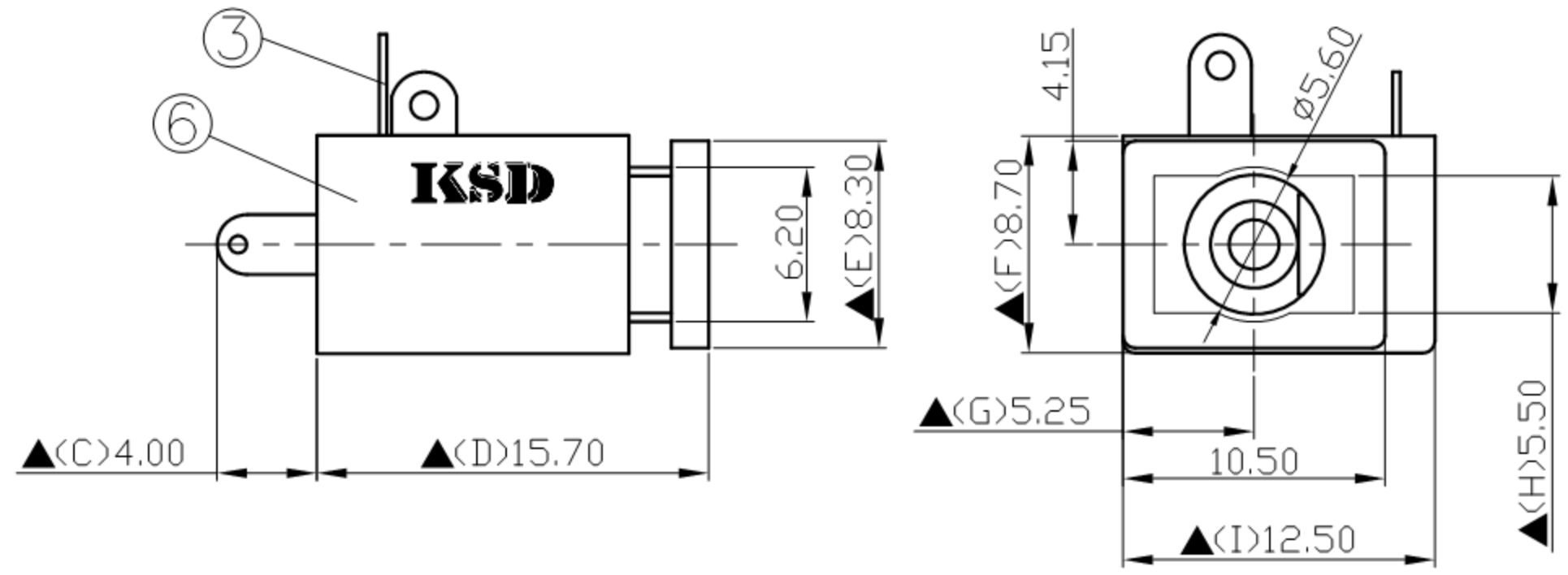
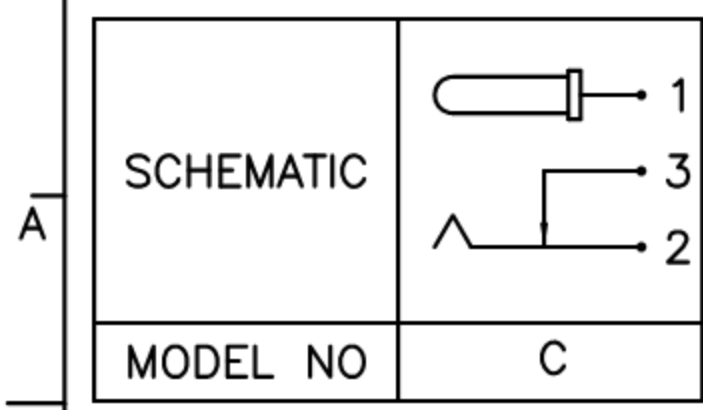


1 2 3 4 5 6 7



6.	Housing	PBT+15%	1	Black Color
5.	Insulator	Bakelite	2	Natural
4.	Pin(2.0φ)	Copper	1	Nickel Plated
3.	Break Terminal	0.3T Brass	1	Silver Plated
2.	Sleeve Spring Terminal	0.3T Phosphor Bronze	1	Silver Plated
1.	Pin Terminal	0.3T Brass	1	Silver Plated
NO.	Description	Material	Q'TY	Finish

广东科斯达电子科技有限公司  
 GUANG DONG KE SI DA ELECTRONIC TECHNOLOGY CO., LTD.

DATE	DWN	CHKD	APVD	MANAGER
10.12.2021	王平華			

For Redference  
 僅供參考

RoHS&SVHC  
 Compliant

PART NAME: DC POWER JACK	PART NUMBER: SCD513CCS000B00G	VERSION: 9.0
TOLERANCE : ±0.3mm UNLESS OTHERWISE SPECIFIED		SCALE: 1/1

SPECIFICATIONS:  
 Contact Resistance : 30mΩ max  
 Current Rating : Max 5.0A , 24VDC  
 Insulation Resistance : 100MΩ min. at DC 500V  
 Dielectric Withstanding Voltage: AC 500V for one minute  
 Remark: ▲ : The Most Important Dimension

1 2 3 4 5 6 7