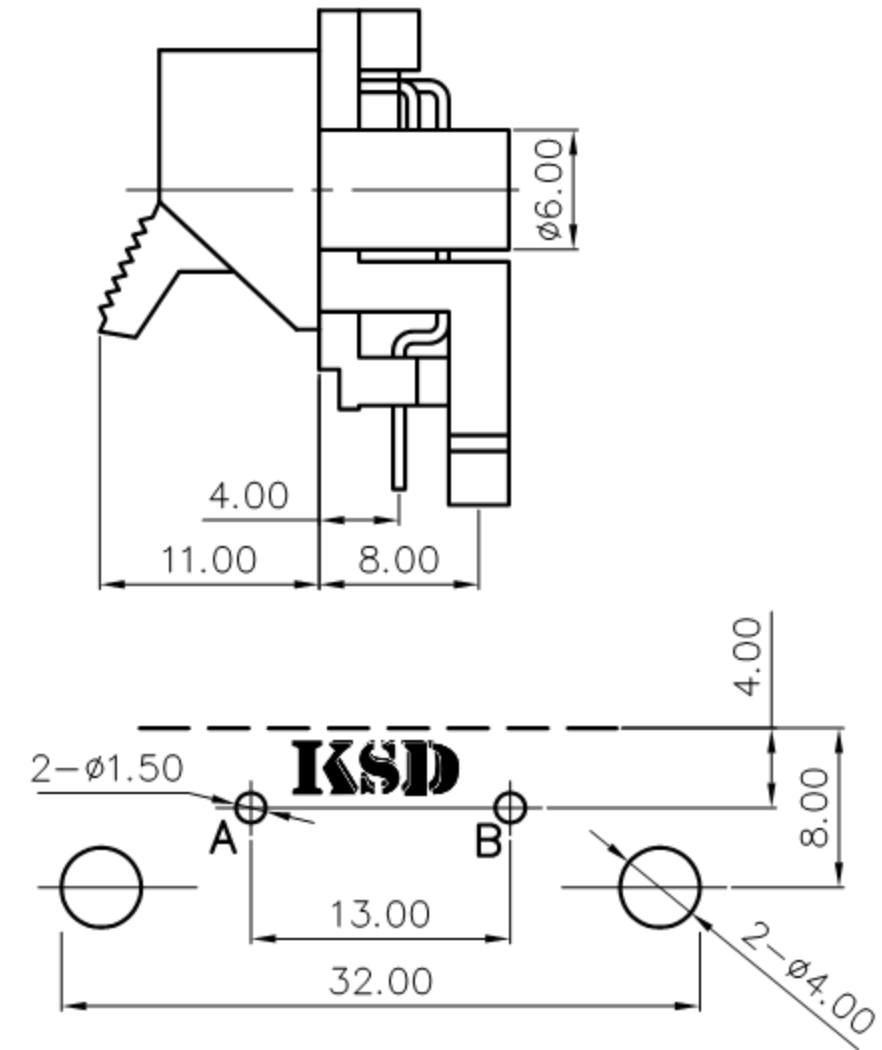
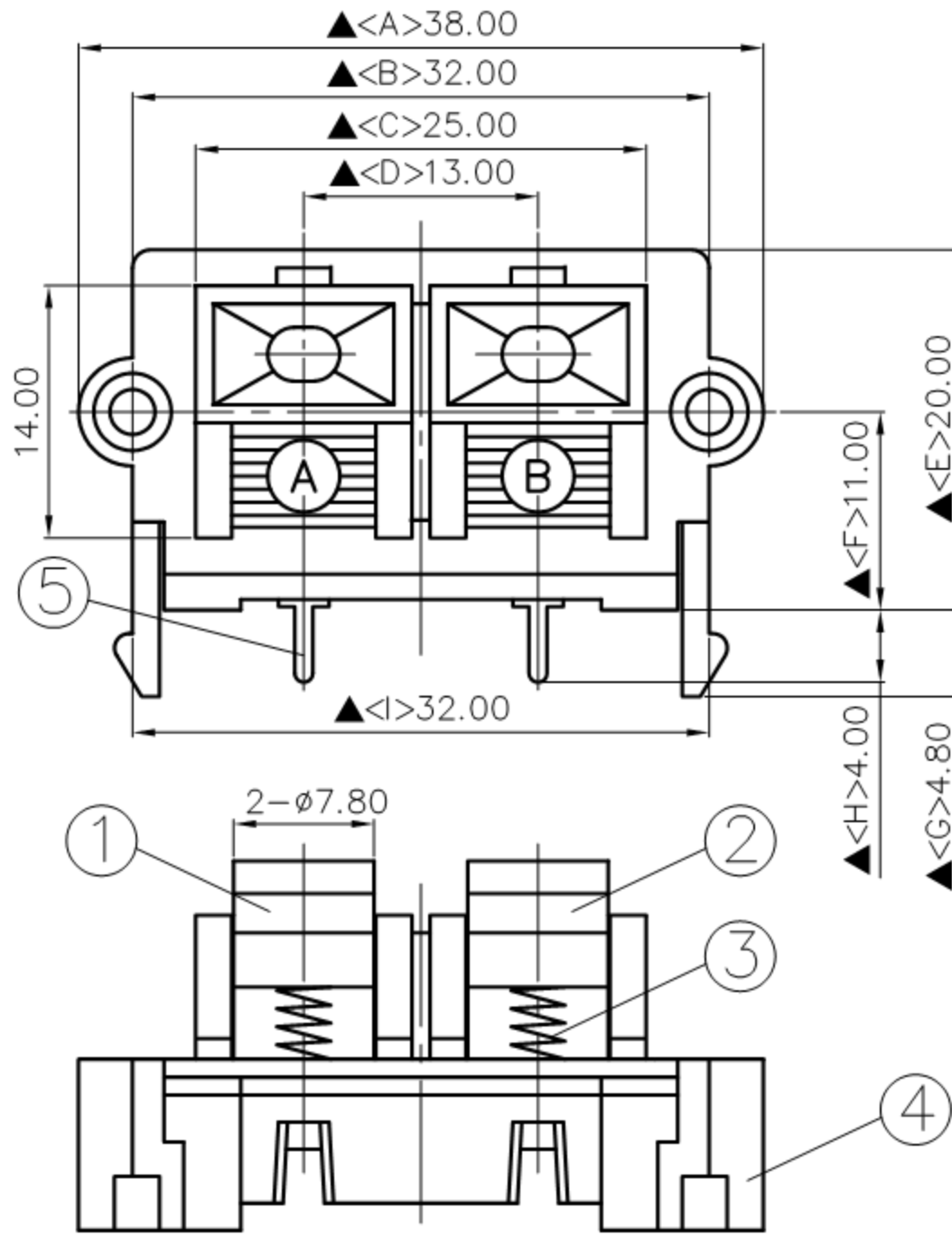


MODEL NO	Knob Color	
	(A)	(B)
1	Black	Red



Pin Hole Layout  
(Jack Bottom View)

5.	Terminal	0.6T Brass	2	Silver Plated
4.	Base	ABS	1	Black Color
3.	Spring	SUS-304	2	Temper
2.	Press Buttom	ABS	1	Red Color
1.	Press Buttom	ABS	1	Black Color
NO.	Description	Material	Q'TY	Finish

 <b>广东科斯达电子科技有限公司</b> GUANG DONG KE SI DA ELECTRONIC TECHNOLOGY CO., LTD.	DATE	DWN	CHKD	APVD	MANAGER
	10.20.2011				

PART NAME : PUSH TERMINAL BOARD      PART NUMBER: SCT710B12000000G      VERSION: 3.0

TOLERANCE : ±0.3mm UNLESS OTHERWISE SPECIFIED      UNIT: mm      SCALE: 1/1

SPECIFICATIONS:  
 Contact Resistance : 30mΩ max  
 Insulation Resistance : 100MΩ min. at DC 500V  
 Dielectric Withstanding Voltage: AC 500V for one minute  
 Remark: ▲: The Most Important Dimension

RoHS  
Compliant

For Reference  
僅供參考