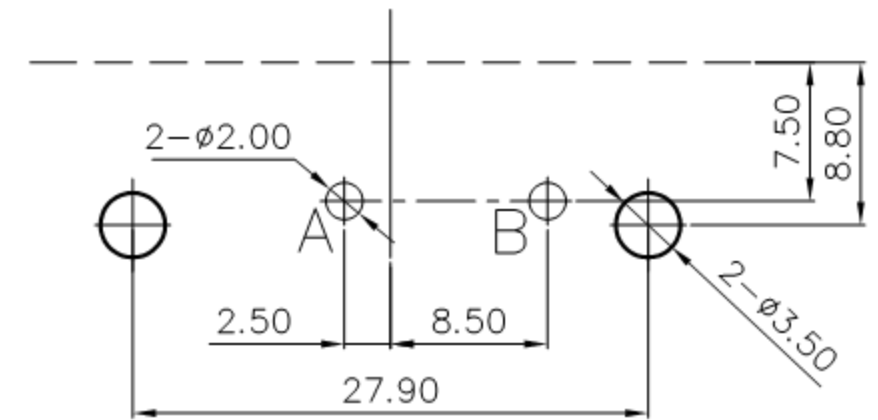
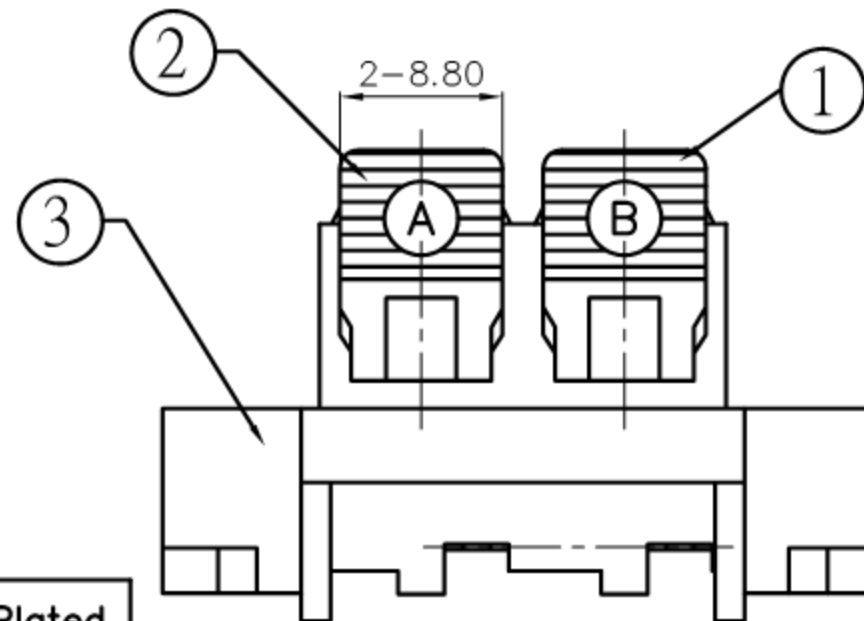
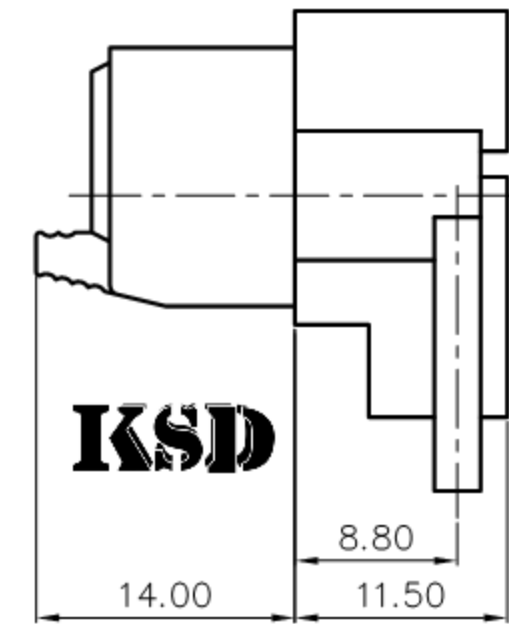
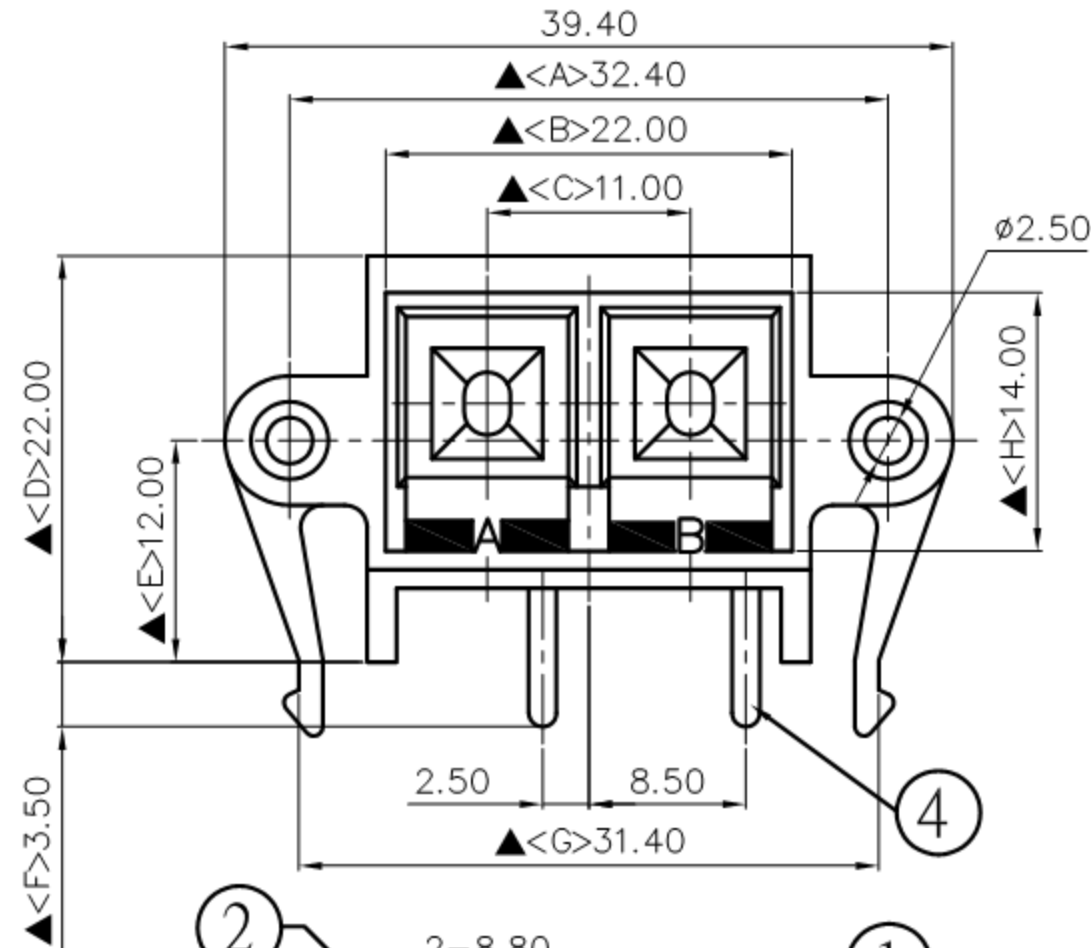



MODEL NO	Knob Color	
	(A)	(B)
1	Black	Red



4.	Terminal	0.3T Phosphor Bronze	2	Silver Plated
3.	Base	ABS	1	Black Color
2.	Press Button	ABS	1	Black Color
1.	Press Button	ABS	1	Red Color
NO.	Description	Material	Q'TY	Finish

 <b>广东科斯达电子科技有限公司</b> GUANG DONG KE SI DA ELECTRONIC TECHNOLOGY CO., LTD.	DATE	DWN	CHKD	APVD	MANAGER
	10.20.2011				

PART NAME : PUSH TERMINAL BOARD	PART NUMBER: SCT730B12000000G	VERSION: 3.0
---------------------------------	-------------------------------	--------------

TOLERANCE : $\pm 0.3\text{mm}$ UNLESS OTHERWISE SPECIFIED	UNIT: mm 	SCALE: 1/1
---	--	------------

SPECIFICATIONS:  
 Contact Resistance :  $30\text{m}\Omega$  max  
 Insulation Resistance :  $100\text{M}\Omega$  min. at DC 500V  
 Dielectric Withstanding Voltage: AC 500V for one minute  
 Remark:  $\blacktriangle$ : The Most Important Dimension

RoHS Compliant  
 For Reference  
 僅供參考