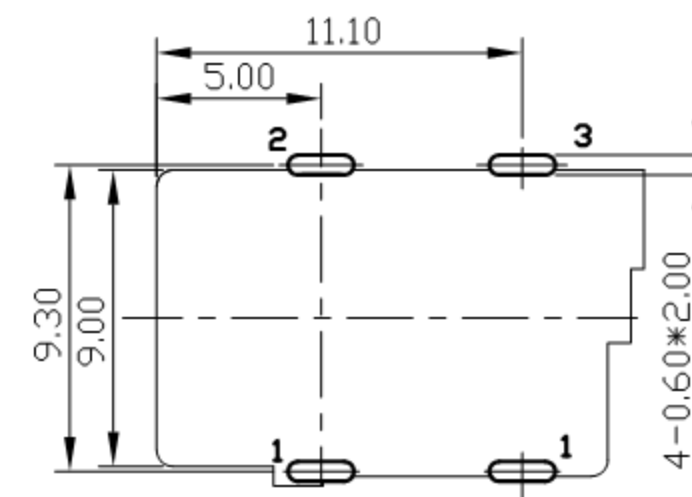
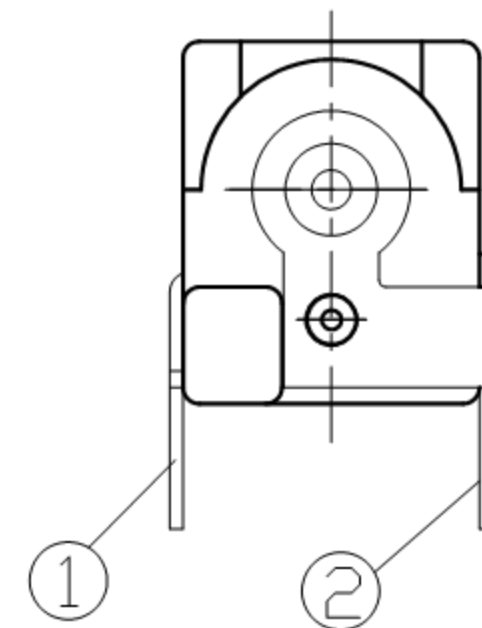
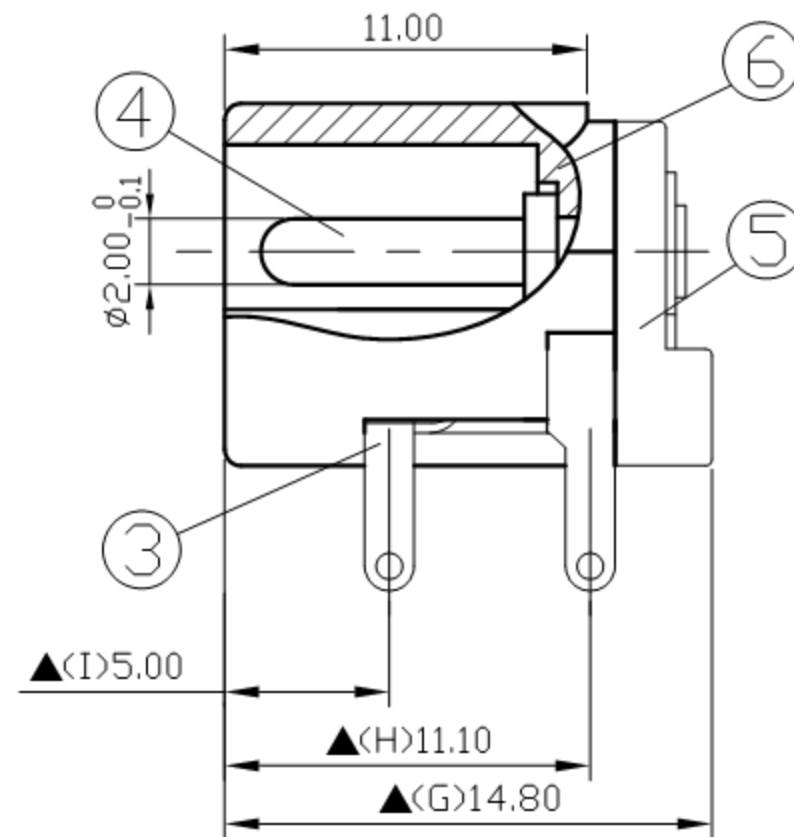
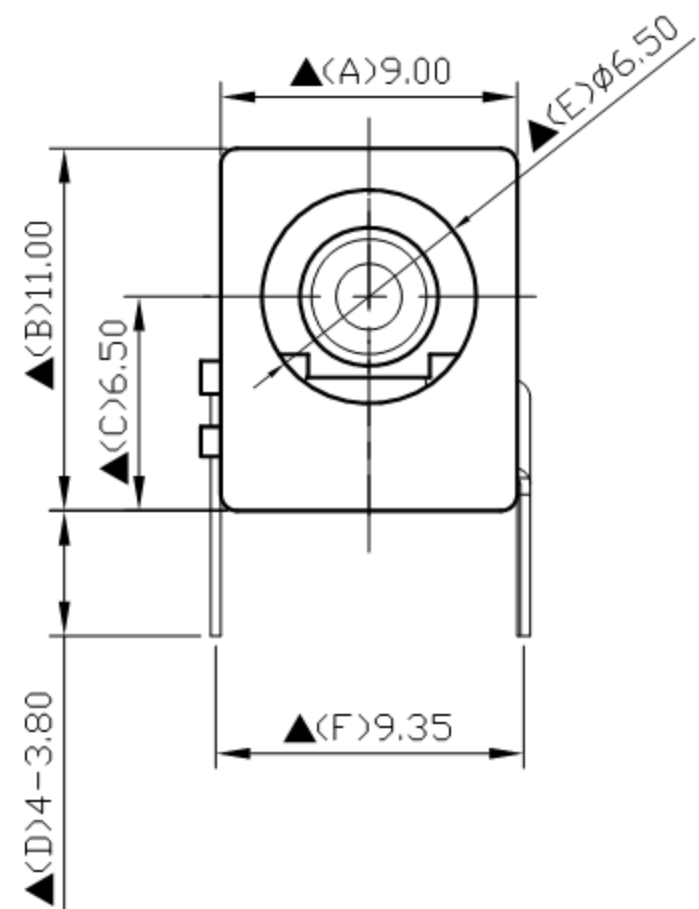
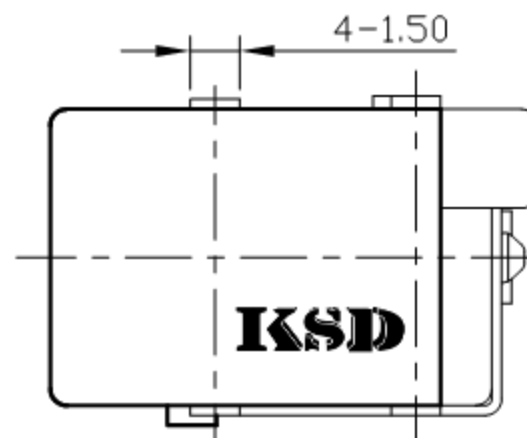


SCHEMATIC	
MODEL NO	C



Pin Hole Layout  
(Jack Bottom View)



6.	Housing	PA9T	1	Black Color
5.	Cover	PA9T	1	Black Color
4.	Pin(2.0 $\phi$ )	Brass	1	Nickel Plated
3.	Sleeve Spring	0.3T Phosphor Bronze	1	Silver Plated
2.	Pin Terminal	0.3T Brass	1	Silver Plated
1.	Break Terminal	0.4T Brass	1	Silver Plated
NO.	Description	Material	Q'TY	Finish

DATE	DWN	CHKD	APVD	MANAGER
10.11.2021	王平華			

广东科斯达电子科技有限公司  
GUANG DONG KE SI DA ELECTRONIC TECHNOLOGY CO., LTD.

PART NAME :DC POWER JACK      PART NUMBER:SCD481CCS011B00G      VERSION:4.0

TOLERANCE : $\pm 0.3$ mm UNLESS OTHERWISE SPECIFIED      UNIT:mm      SCALE:1/1

SPECIFICATIONS:  
 Contact Resistance : 30m $\Omega$  max  
 Current Rating : Max 5.0A , 24VDC  
 Insulation Resistance : 100M $\Omega$  min. at DC 500V  
 Dielectric Withstand Voltage : AC 500V for one minute  
 Remark: ▲ : The Most Important Dimension

For Redference  
僅供參考  
RoHS&SVHC  
Pb Free Process