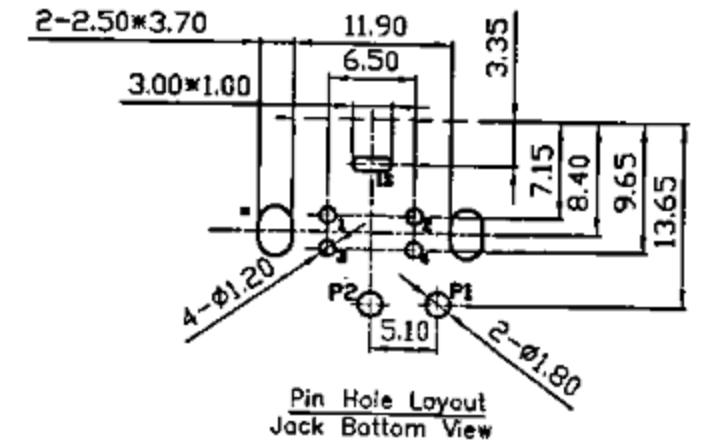
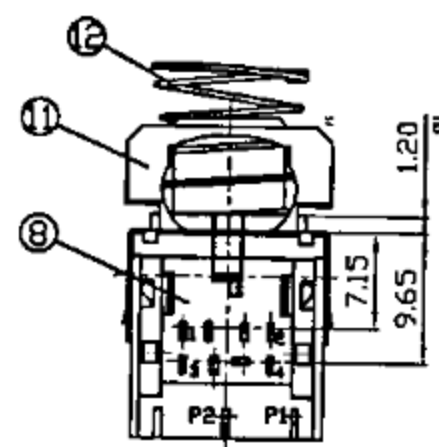


12.	Spring	SWC	1	Nickel Plated
11.	Panel Ground	0.2T Phosphor Bronze	1	Nickel Plated
10.	Housing	PBT	1	Black Color
9.	Housing	PBT	1	Black Color
8.	Cover	PBT	1	Black Color
7.	Washer	PBT	1	Yellow Color
6.	Metal Plate	0.3T Brass	1	Nickel Plated
5.	Pin Terminal B	0.4T Iron	1	Silver Plated
4.	Pin Terminal A	0.5T Brass	1	Silver Plated
3.	Din Terminal	0.4T Brass	4	Silver Plated
2.	Earth Terminal(Barel)	0.3T Iron	1	Nickel Plated
1.	Inner Shield	0.3T Brass	1	Nickel Plated
NO.	Description	Material	Q'TY	Finish



广东科斯达电子科技有限公司
 GUANG DONG KE SI DA ELECTRONIC TECHNOLOGY CO., LTD.

DATE	DWN	CHKD	APVD	MANAGER
10.18.2011	韩沙	张瑞	张瑞	张瑞

PART NAME:MINI DIN JACK & PIN JACK	PART NUMBER:SCP803S4BSUN4T1G	VERSION:4.0
TOLERANCE : ± 0.3 mm UNLESS OTHERWISE SPECIFIED	UNIT:mm	SCALE:1/1

SPECIFICATIONS:
 Contact Resistance : 30m Ω max
 Insulation Resistance : 100M Ω min. at DC 500V
 Dielectric Withstanding Voltage: AC 500V for one minute
 Remark: ▲: The Most Important Dimension

RoHS
Compliant