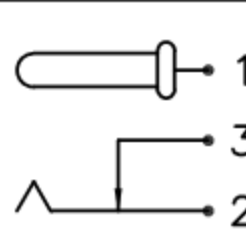
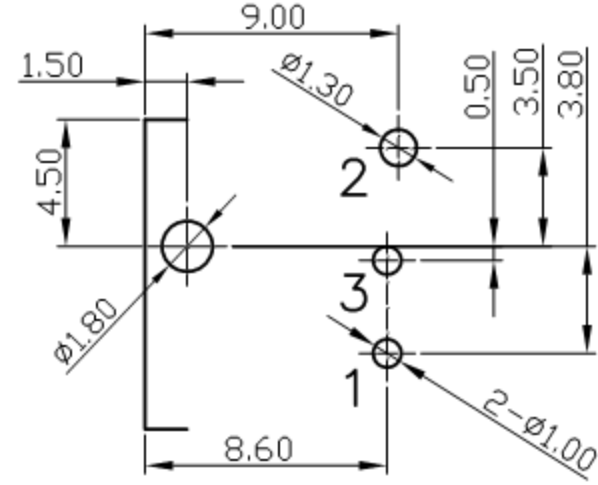
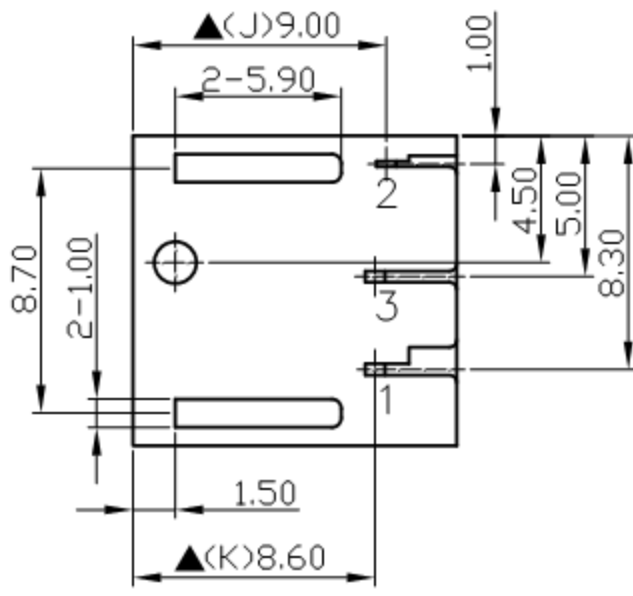
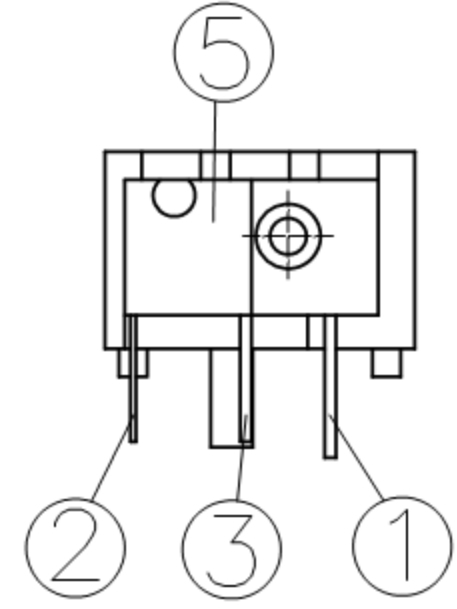
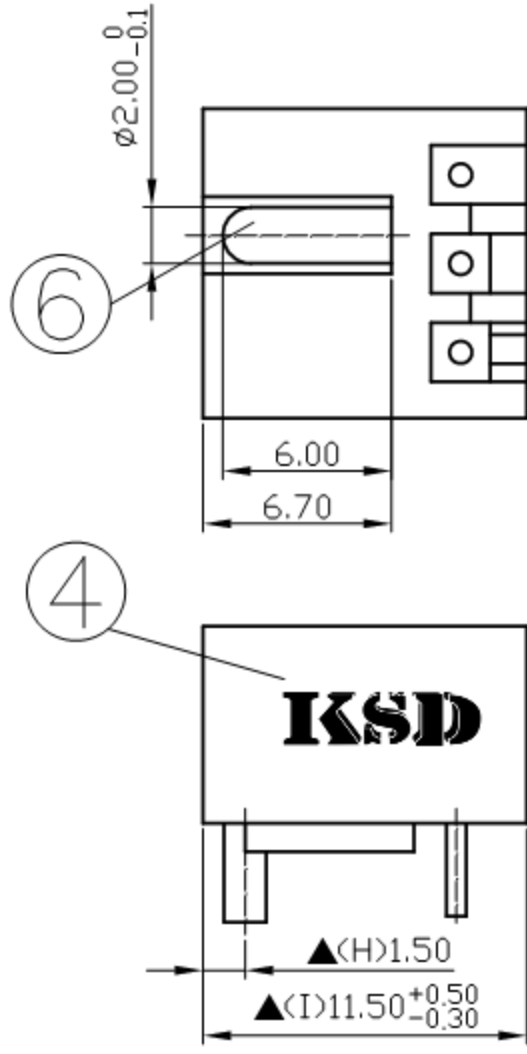
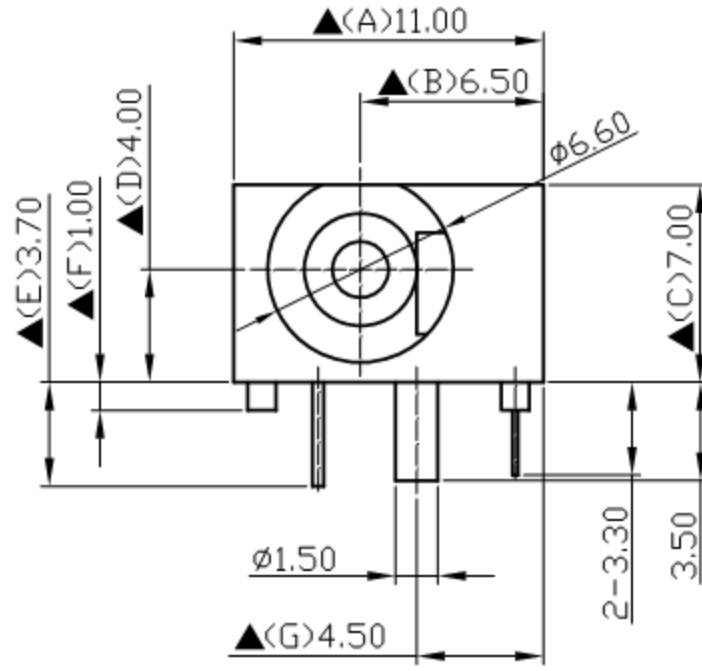


SCHEMATIC	
MODEL NO	C




Pin Hole Layout  
(Jack Bottom View)

6.	Pin(2.0φ)	Copper	1	Nickel Plated
5.	Cover	PBT+15%	1	Black Color
4.	Housing	PBT+30%	1	Black Color
3.	Break Terminal	0.4T Brass	1	Silver Plated
2.	Sleeve Spring	0.2T YcuT	1	Silver Plated
1.	Pin Terminal	0.4T Brass	1	Silver Plated
NO.	Description	Material	Q' TY	Finish

 **广东科斯达电子科技有限公司**  
GUANG DONG KE SI DA ELECTRONIC TECHNOLOGY CO., LTD.

DATE	DWN	CHKD	APVD	MANAGER
09.30.2021	王平華			

PART NAME : DC POWER JACK	PART NUMBER:SCD447CCS000B00G	VERSION:7.0
TOLERANCE :±0.3mm UNLESS OTHERWISE SPECIFIED	UNIT:mm 	SCALE:1/1

SPECIFICATIONS:  
 Contact Resistance : 30mΩ max  
 Current Rating : Max 5.0A , 24V DC  
 Insulation Resistance : 100MΩ min. at DC 500V  
 Dielectric Withstanding Voltage: AC 500V for one minute  
 Remark: ▲ : The Most Important Dimension

For Redference  
僅供參考  
RoHS&SVHC  
Compliant