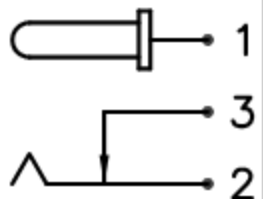
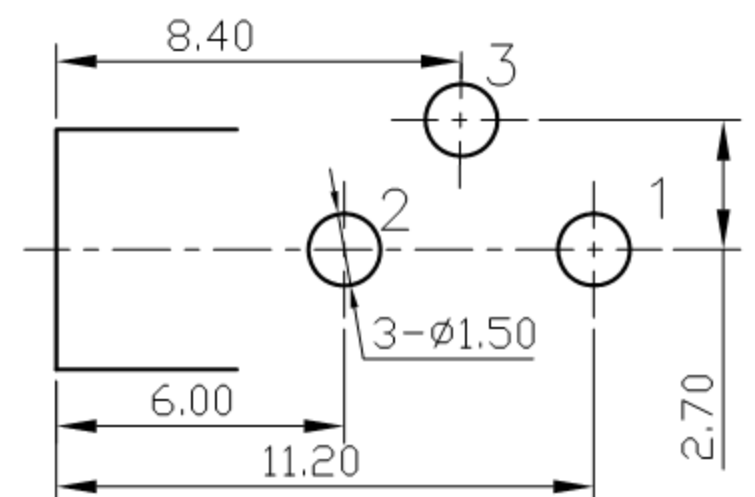
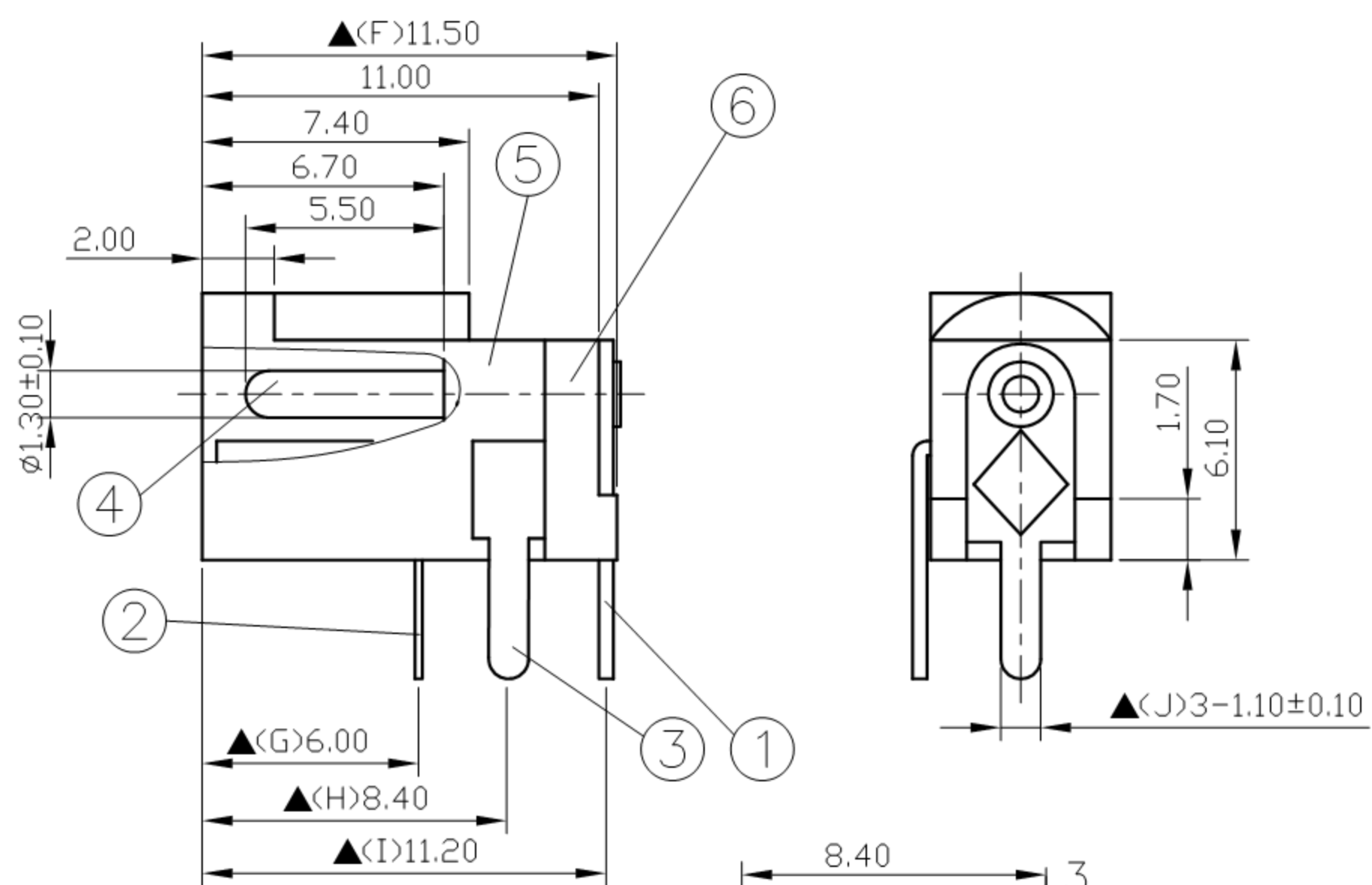
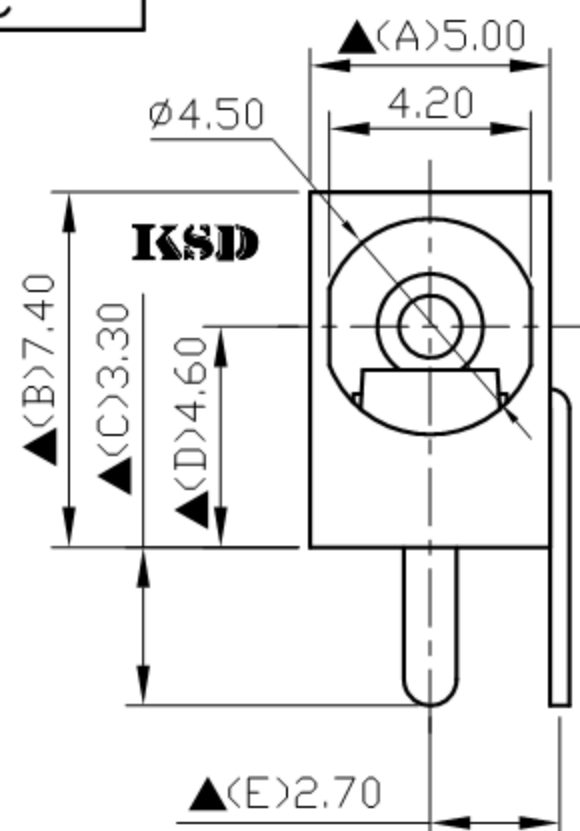



SCHEMATIC	
MODEL NO	C



6.	Cover	PBT+15%	1	Black Color
5.	Housing	PBT+30%	1	Black Color
4.	Pin(1.3φ)	Copper	1	Nickel Plated
3.	Break Terminal	0.4T Brass	1	Silver Plated
2.	Sleeve Spring	0.2T Phosphor Bronze	1	Silver Plated
1.	Pin Terminal	0.4T Brass	1	Silver Plated
NO.	Description	Material	Q'TY	Finish

	广东科斯达电子科技有限公司 GUANG DONG KE SI DA ELECTRONIC TECHNOLOGY CO., LTD.	DATE	DWN	CHKD	APVD	MANAGER
		09.06.2021	王平華			

PART NAME : DC POWER JACK	PART NUMBER: SCD420ACS001B00G	VERSION: 12.0
TOLERANCE : ±0.3mm UNLESS OTHERWISE SPECIFIED	UNIT: mm 	SCALE: 1/1

For Redference
僅供參考

RoHS&SVHC
Compliant

SPECIFICATIONS:
 Contact Resistance : 30mΩ max
 Current Rating : Max 5A , 24V DC
 Insulation Resistance : 100MΩ min. at DC 500V
 Remark: ▲ : The Most Important Dimension