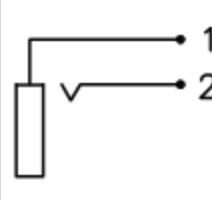
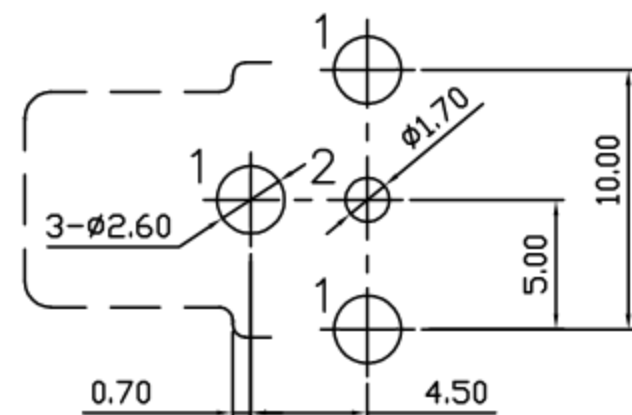
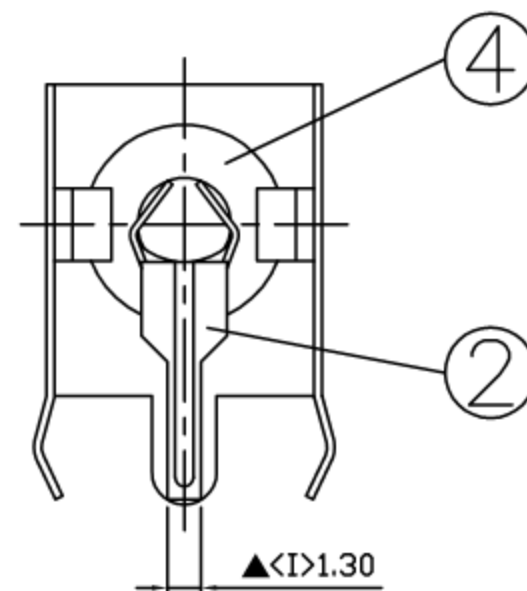
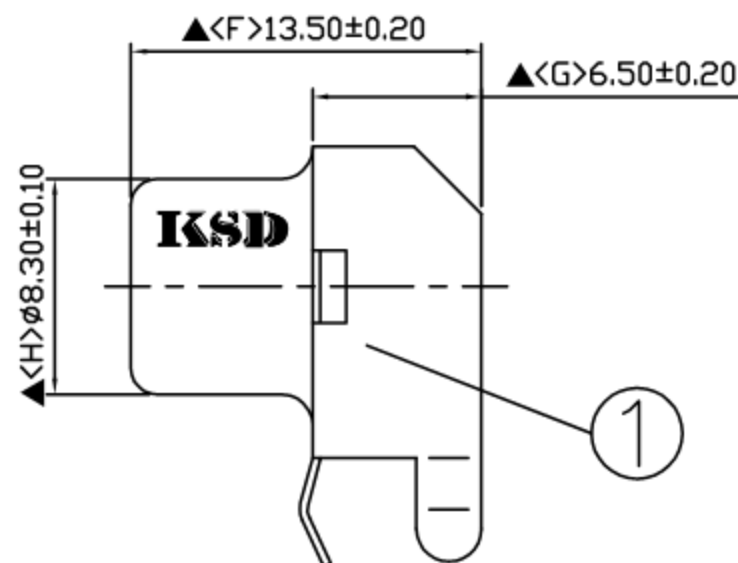
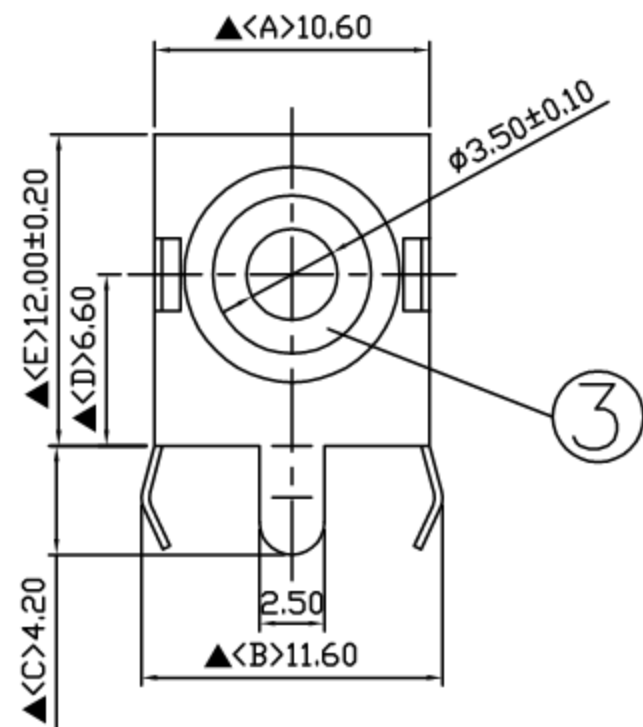


SCHEMATIC	
MODEL NO	U



Pin Hole Layout
(Jack Bottom View)

4.	Insulator	PBT	1	Black Color
3.	Insulator	Bakelite	1	Natural
2.	Terminal	0.25T Brass	1	Tin Plated
1.	Shell	0.3T Iron	1	Tin Plated
NO.	Description	Material	Q'TY	Finish

 广东科斯达电子科技有限公司 GUANG DONG KE SI DA ELECTRONIC TECHNOLOGY CO., LTD.	DATE	DWN	CHKD	APVD	MANAGER
	12.08.2005				

PART NAME : PIN JACK	PART NUMBER : SCP603U0T0T0000G	VERSION: 3.0
----------------------	--------------------------------	--------------

TOLERANCE: $\pm 0.3\text{mm}$ UNLESS OTHERWISE SPECIFIED	UNIT: mm	 	SCALE: 1/1
--	----------	---	------------

SPECIFICATIONS:
 Contact Resistance : $30\text{m}\Omega$ max
 Insulation Resistance : $100\text{M}\Omega$ min. at DC 500V
 Dielectric Withstanding Voltage: AC 500V for one minute
 Remark: ▲: The Most Important Dimension

RoHS Compliant For Reference
 僅供參考