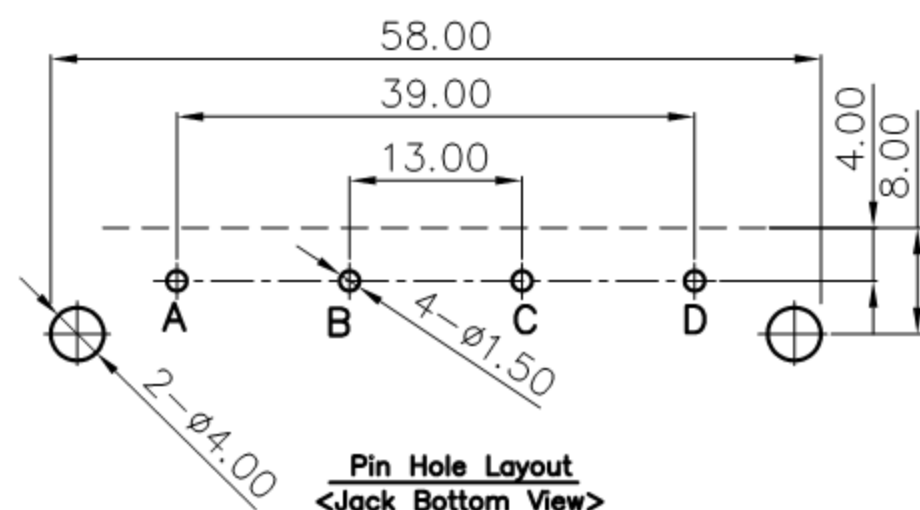
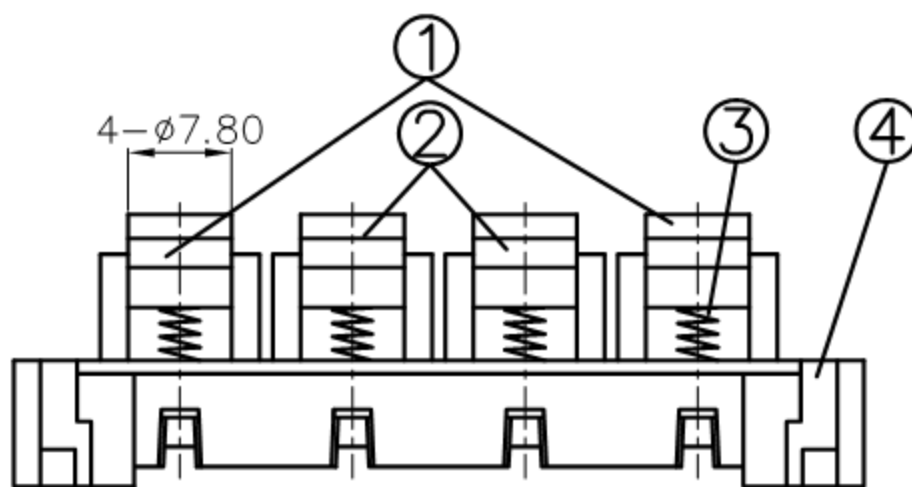
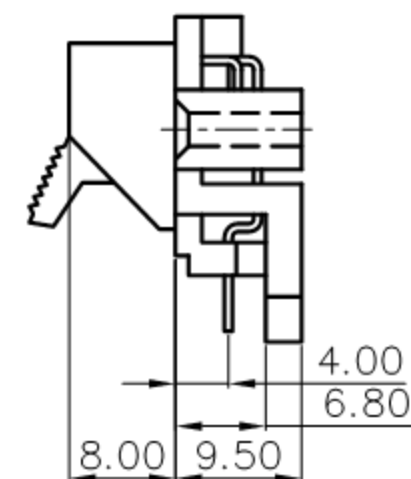
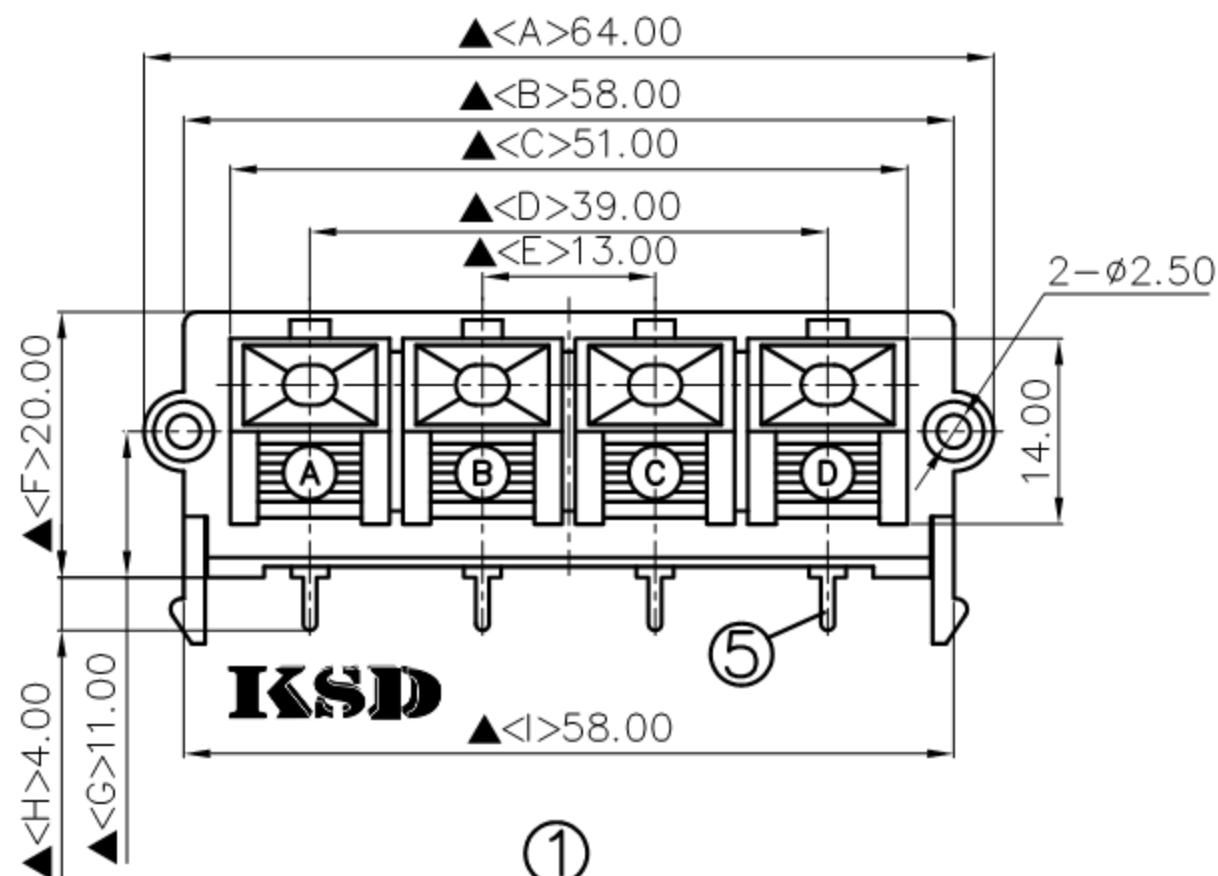


MODEL NO	Knob Color			
	(A)	(B)	(C)	(D)
1	RED	BLACK	BLACK	RED



5.	Terminal	0.6T Brass	4	Silver Plated
4.	Base	ABS	1	Black Color
3.	Spring	SUS-304	4	Temper
2.	Press Buttom	ABS	2	Black Color
1.	Press Buttom	ABS	2	Red Color
NO.	Description	Material	Q'TY	Finish

	<b>广东科斯达电子科技有限公司</b> GUANG DONG KE SI DA ELECTRONIC TECHNOLOGY CO., LTD.	DATE	DWN	CHKD	APVD	MANAGER
		10.20.2011				

PART NAME : PUSH TERMINAL BOARD	PART NUMBER: SCT710D21120000G	VERSION:3.0
TOLERANCE : $\pm$ 0.3mm UNLESS OTHERWISE SPECIFIED	UNIT:mm	SCALE:1/1

SPECIFICATIONS:  
 Contact Resistance : 30m $\Omega$  max  
 Insulation Resistance : 100M $\Omega$  min. at DC 500V  
 Dielectric Withstanding Voltage: AC 500V for one minute  
 Remark: ▲: The Most Important Dimension

RoHS Compliant For Reference  
 僅供參考