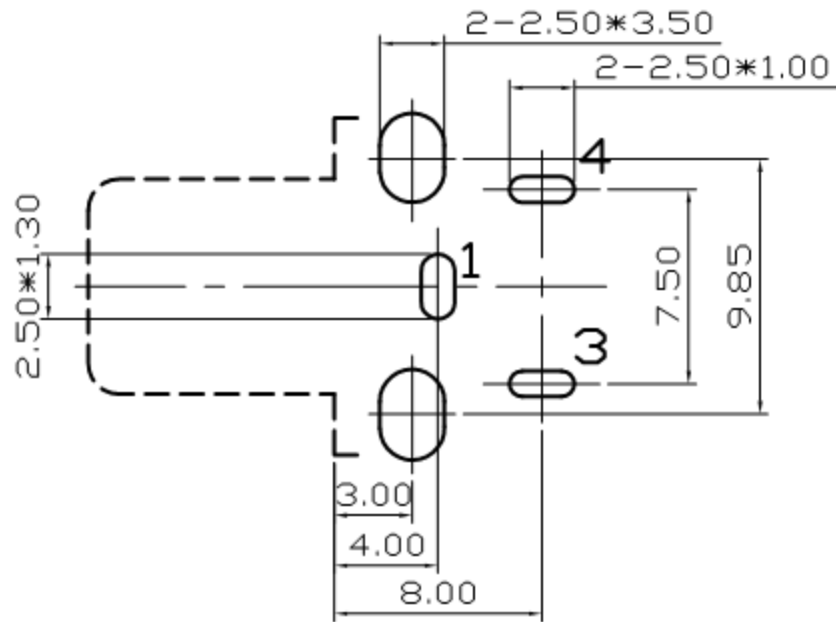
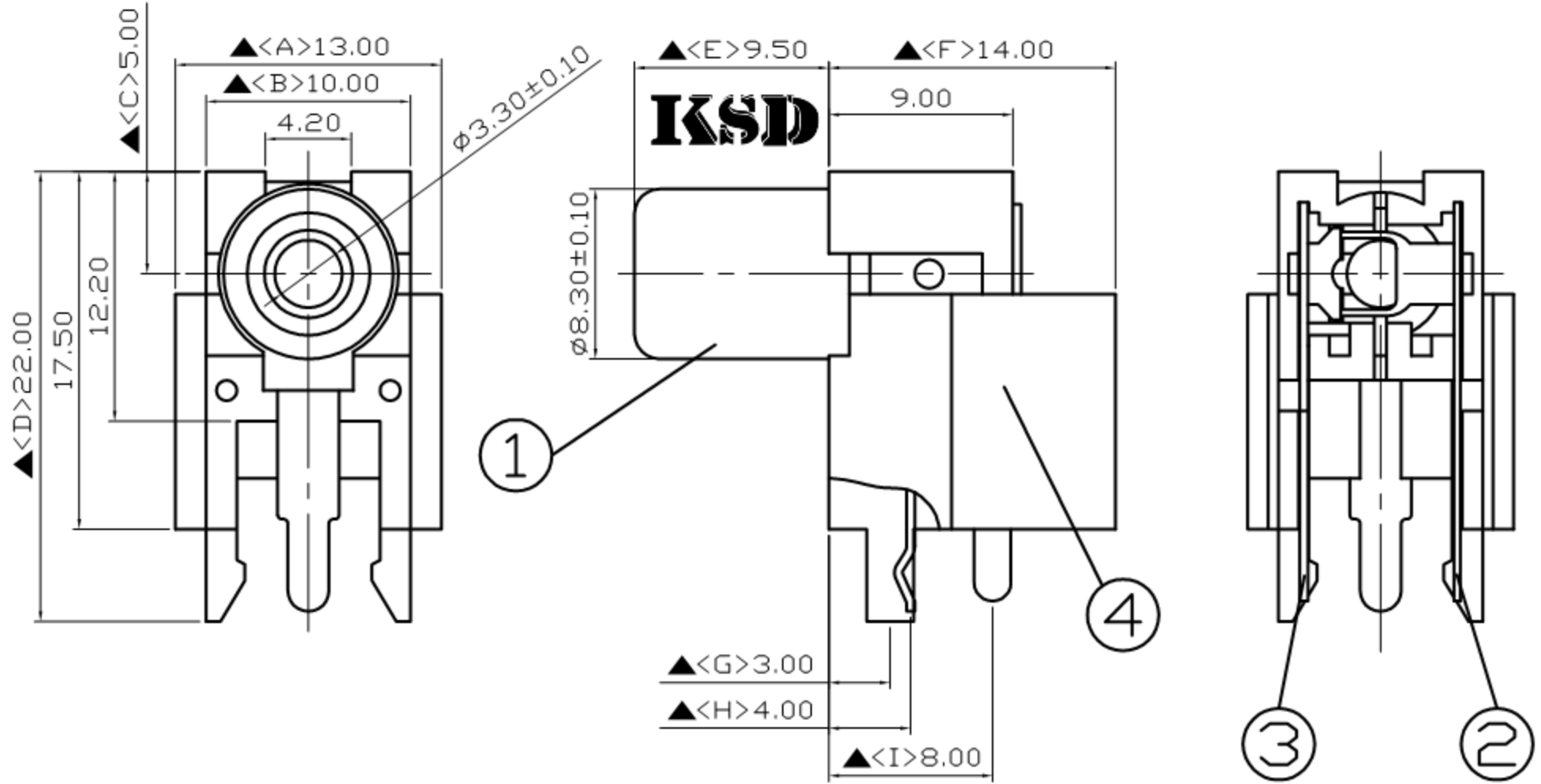


SCHEMATIC	
MODEL NO	V



Pin Hole Layout
(Jack Bottom View)

4.	Housing	ABS	1	Yellow Color
3.	Break Terminal	0.4T Phosphor Bronze	1	Silver Plated
2.	Spring Terminal	0.3T Phosphor Bronze	1	Silver Plated
1.	Earth Terminal	0.4T Brass	1	Nickel Plated
NO.	Description	Material	Q'TY	Finish

RoHS Compliant For Reference
僅供參考

SPECIFICATIONS:
 Contact Resistance : 30mΩ max
 Insulation Resistance : 100MΩ min. at DC 500V
 Dielectric Withstanding Voltage: AC 500V for one minute
 Remark: ▲: The Most Important Dimension

	广东科斯达电子科技有限公司 GUANG DONG KE SI DA ELECTRONIC TECHNOLOGY CO., LTD.	DATE	DWN	CHKD	APVD	MANAGER
		05.24.2006				
PART NAME : PIN JACK		PART NUMBER: SCP623VNS400000G			VERSION:2.0	
TOLERANCE :±0.3mm UNLESS OTHERWISE SPECIFIED				UNIT:mm		SCALE:1/1