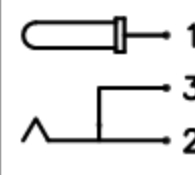
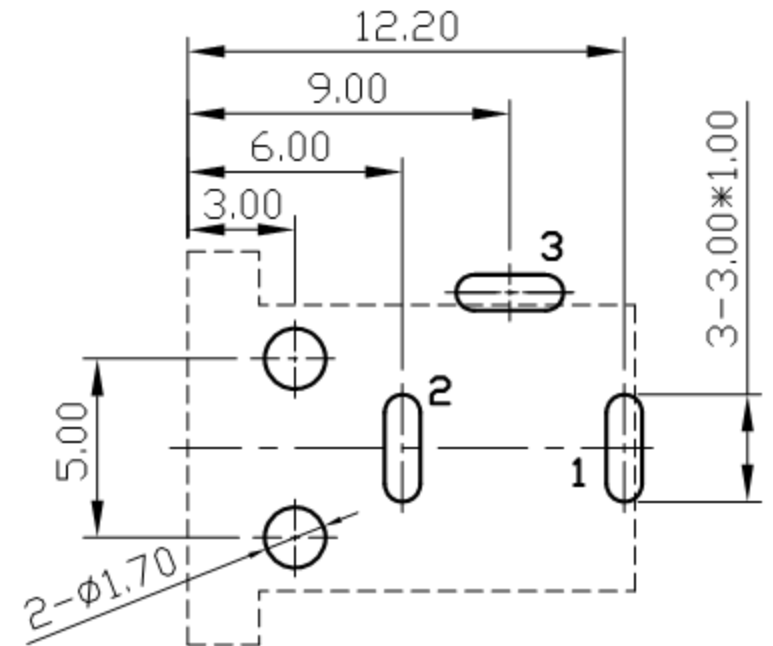
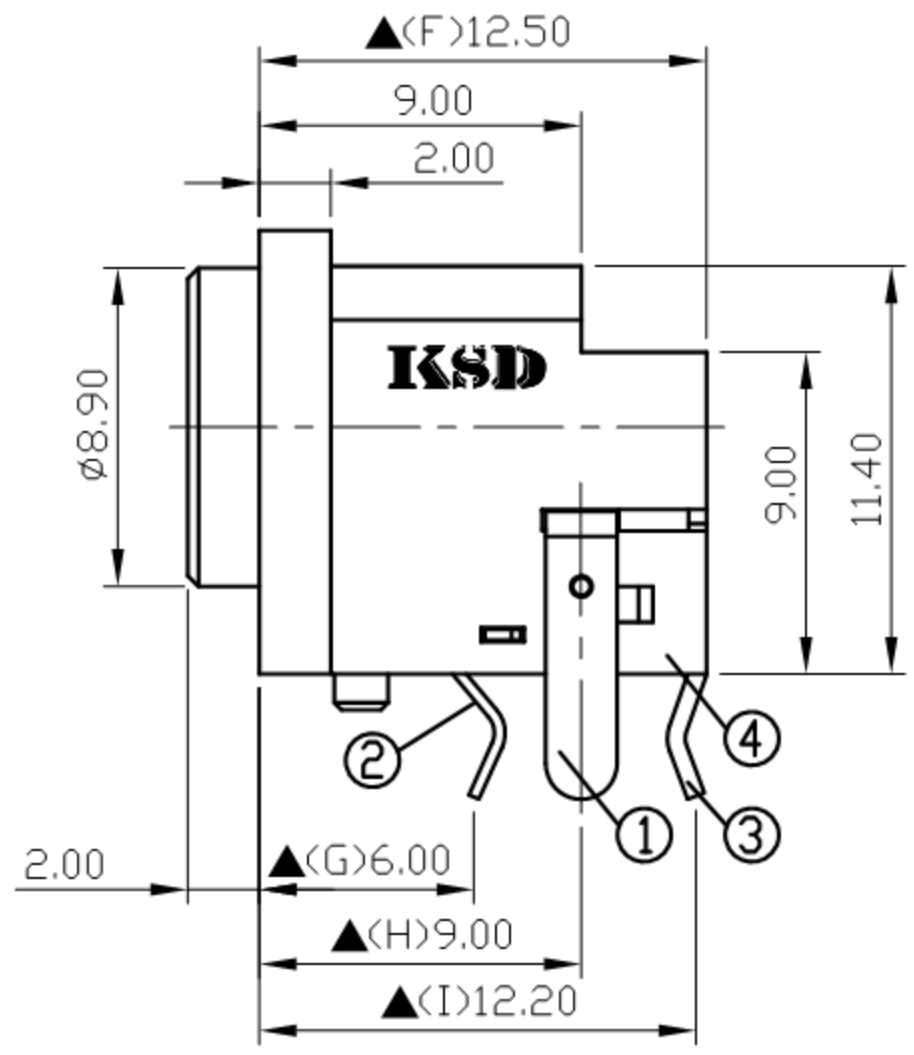
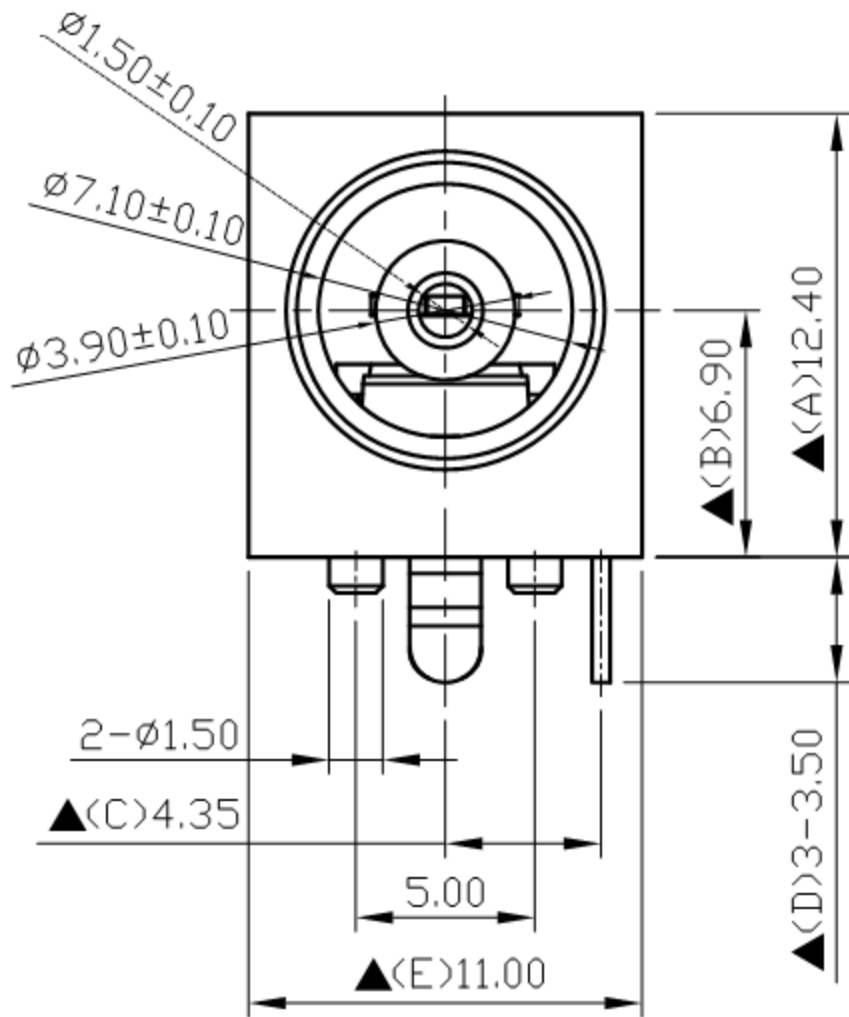
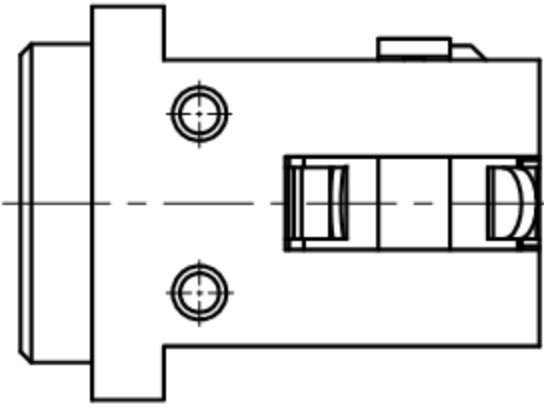


|           |   |
|-----------|---|
| SCHEMATIC |  |
|           | MODEL NO C  |

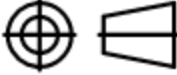


Pin Hole Layout  
(Jack Bottom View)



| 4.  | Housing        | PBT+30%              | 1    | Black Color   |
|-----|----------------|----------------------|------|---------------|
| 3.  | Break Terminal | 0.5T Brass           | 1    | Silver Plated |
| 2.  | Pin Spring     | 0.3T Phosphor Bronze | 1    | Silver Plated |
| 1.  | Pin Terminal   | 0.5T Brass           | 1    | Silver Plated |
| NO. | Description    | Material             | Q'TY | Finish        |

|   |  |            |     |      |      |         |
|---|--|------------|-----|------|------|---------|
|  | 广东科斯达电子科技有限公司<br>GUANG DONG KE SI DA ELECTRONIC TECHNOLOGY CO., LTD. | DATE       | DWN | CHKD | APVD | MANAGER |
|   |  | 10.08.2021 | 王平華 |      |      |         |

|   |                               |  |
|---|-------------------------------|--|
| PART NAME : DC POWER JACK                                 | PART NUMBER: SCD461JCS000B00G | VERSION: 8.0   |
| TOLERANCE : $\pm 0.3\text{mm}$ UNLESS OTHERWISE SPECIFIED |                               | UNIT: mm  |
|   |                               | SCALE: 1/1   |

SPECIFICATIONS:  
 Contact Resistance : 30mΩ max  
 Current Rating : Max 5.0A ,24V DC  
 Insulation Resistance : 100MΩ min. at DC 500V  
 Dielectric Withstanding Voltage: AC 500V for one minute  
 Remark: ▲ : The Most Important Dimension

For Redference  
僅供參考

RoHS&SVHC  
Compliant