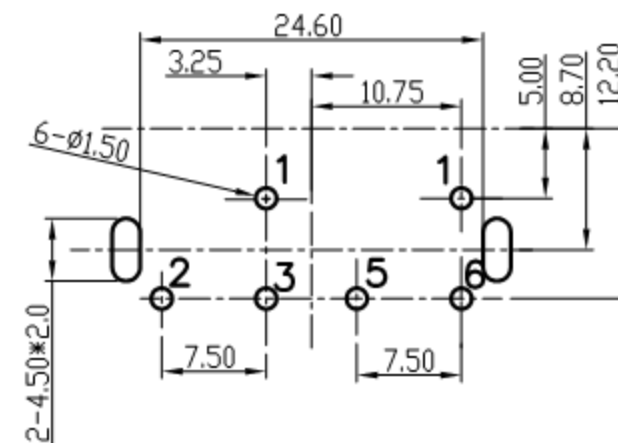
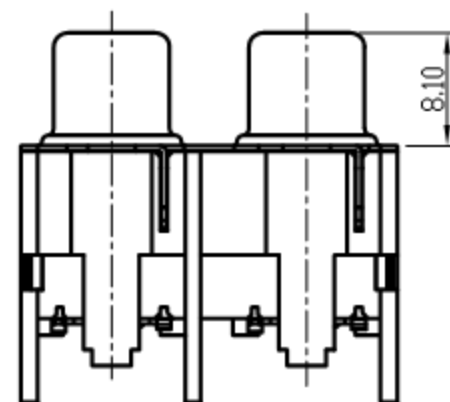
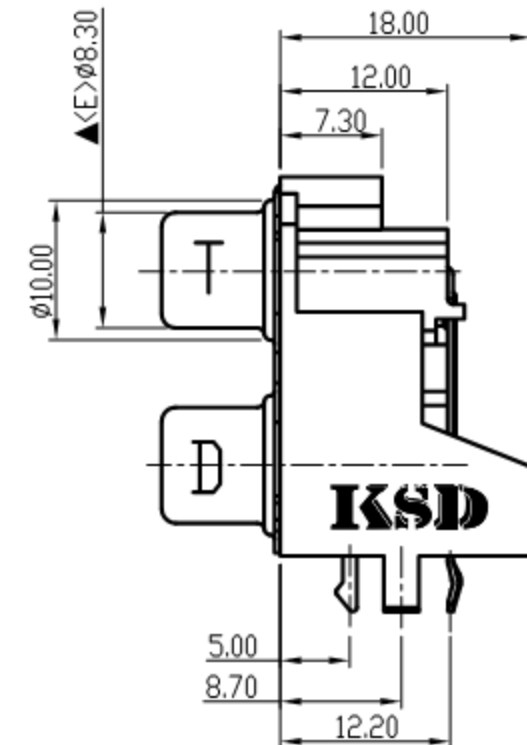
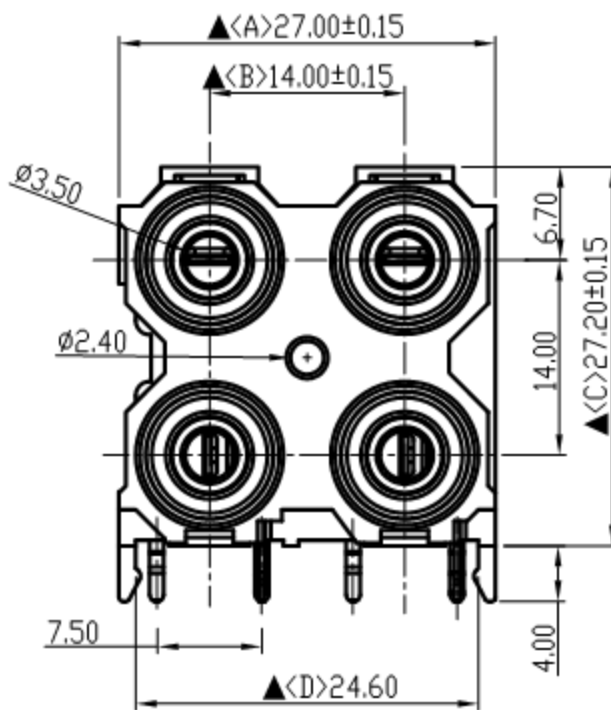
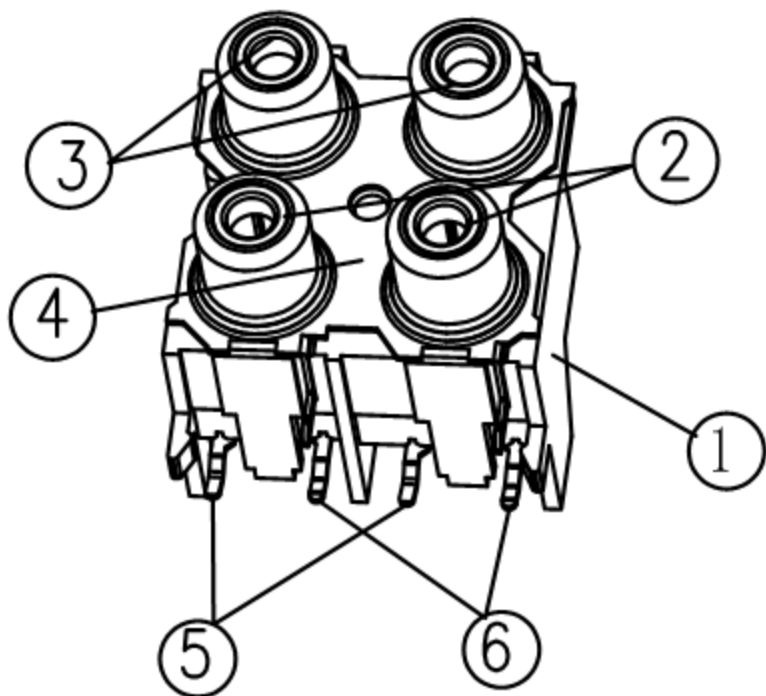


SCHEMATIC	
U	L R WASH ER COLOR



Pin Hole Layout  
(Jack Bottom View)

6.	Terminal T	O4T Brass	2	Silver Plated
5.	Terminal D	0.4T Brass	2	Silver Plated
4.	Earth Terminal	0.4T Brass	1	Nickel Plated
3.	Insulator T	PBT	2	White Color
2.	Insulator D	PBT	2	Red Color
1.	Housing	PA66+33%GF	1	Black Color
NO.	Description	Material	Q'TY	Finish

广东科斯达电子科技有限公司 GUANG DONG KE SI DA ELECTRONIC TECHNOLOGY CO., LTD.	DATE	DWN	CHKD	APVD	MANAGER
	09.21.2006				

PART NAME :PIN JACK	PART NUMBER:SCP672UNS323200G	VERSION:1.0
---------------------	------------------------------	-------------

TOLERANCE :±0.3mm UNLESS OTHERWISE SPECIFIED	UNIT:mm	SCALE:1/1
--	---------	-----------

SPECIFICATIONS:  
 Contact Resistance : 30mΩ max  
 Insulation Resistance : 100MΩ min. at DC 500V  
 Dielectric Withstand Voltage : AC 500V for one minute  
 Remark: ▲ : The Most Important Dimension

RoHS  
Pb Free Process  
For Reference  
僅供參考