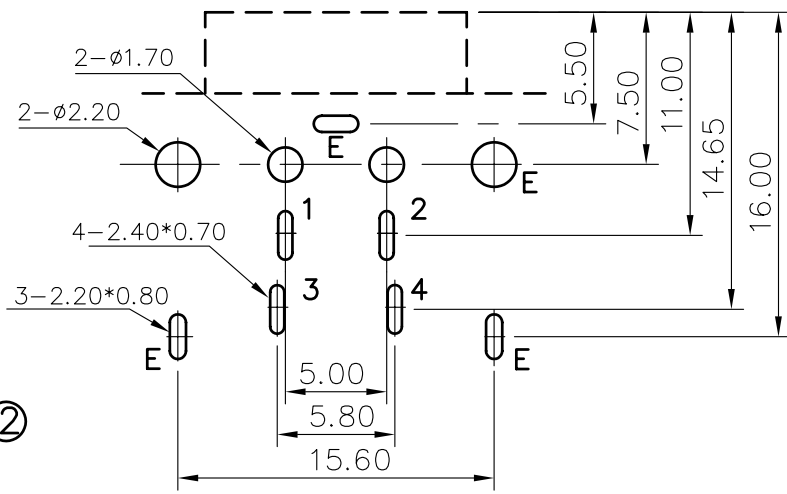
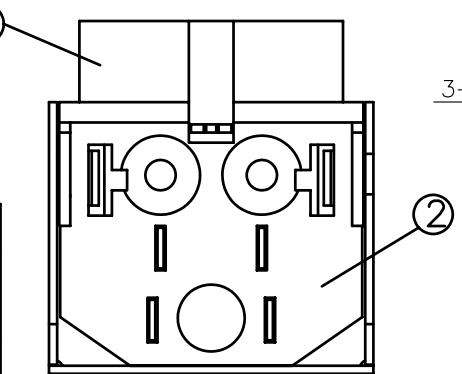


5.	Metal Shell	0.4T Steel	1	Nickel Plated
4.	Terminal	0.3T Brass	4	Silver Plated
3.	Inner shield	0.4T Brass	1	Nickel Plated
2.	Cover	PBT	1	Black Color
1.	Housing	PBT	1	Black Color
NO.	Description	Material	Q'TY	Finish



Pin Hole Layout  
<Jack Bottom View>

广东科斯达电子科技有限公司 GUANG DONG KE SI DA ELECTRONIC TECHNOLOGY CO., LTD.	DATE	DWN	CHKD	APVD	MANAGER
	10.19.2011				

PART NAME : DIN JACK	PART NUMBER:SCN773S4NSNB001G	VERSION: 4.0
TOLERANCE : $\pm$ 0.3mm UNLESS OTHERWISE SPECIFIED		SCALE:1/1

RoHS Compliant For Reference 僅供參考  
 SPECIFICATIONS:  
 Current Rating : Max 5.0A , 24V DC  
 Contact Resistance : 30m $\Omega$  max  
 Insulation Resistance : 100M $\Omega$  min. at DC 500V  
 Dielectric Withstanding Voltage: AC 500V for one minute  
 Remark: ▲ : The Most Important Dimension