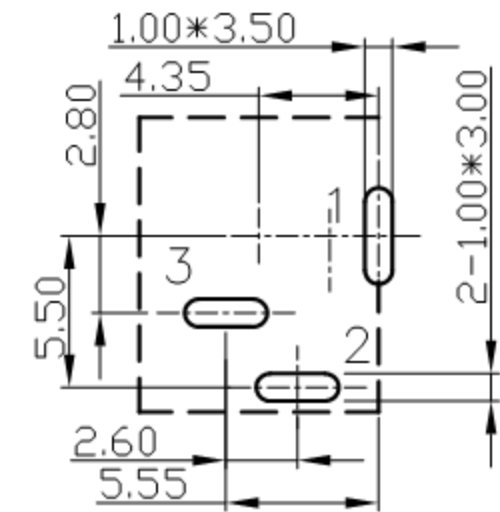
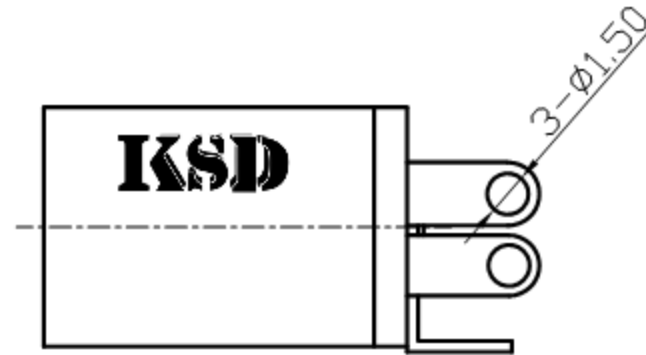
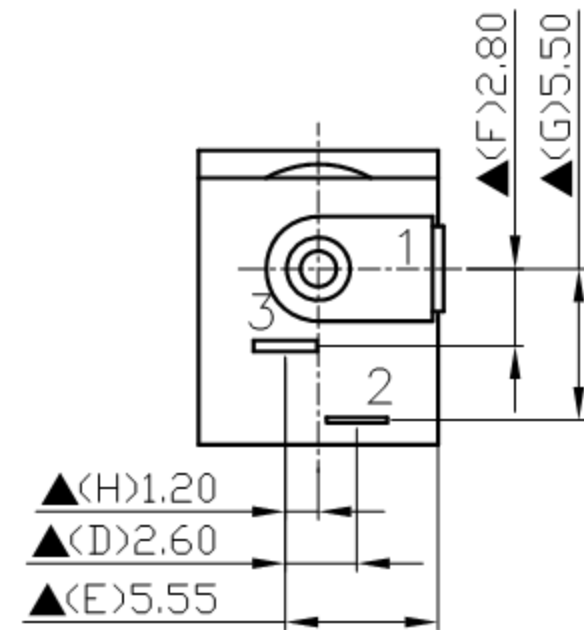
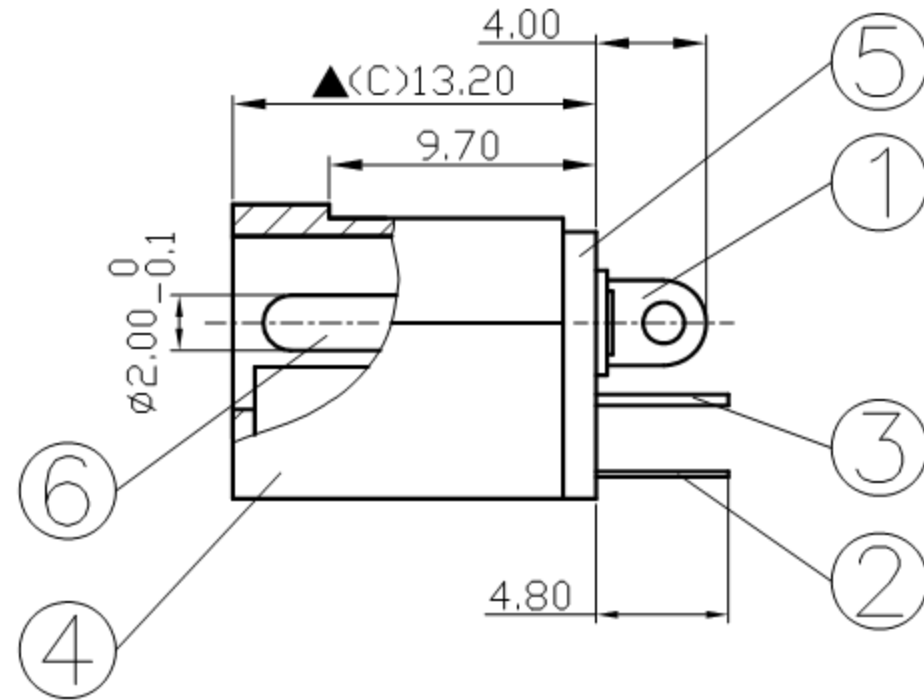
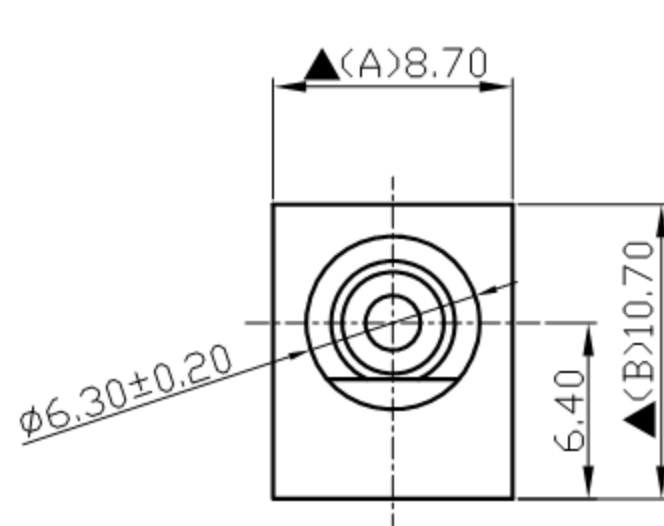
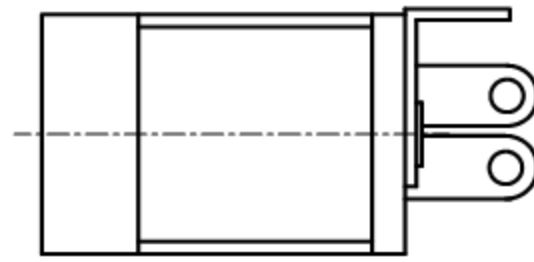


SCHEMATIC	
MODEL NO	C



NO.	Description	Material	Q'TY	Finish
6.	Pin(2.0φ)	Brass	1	Nickel Plated
5.	Cover	Bakelite	1	Black Color
4.	Housing	PBT+15%	1	Black Color
3.	Break Terminal	0.4T Brass	1	Silver Plated
2.	Sleeve Spring	0.2T Phosphor Bronze	1	Silver Plated
1.	Pin Terminal	0.4T Brass	1	Silver Plated

	广东科斯达电子科技有限公司 GUANG DONG KE SI DA ELECTRONIC TECHNOLOGY CO., LTD.	DATE	DWN	CHKD	APVD	MANAGER
		09.23.2021	王平華			

PART NAME :DC POWER JACK	PART NUMBER: SCD435CCS000B00G	VERSION:9.0
TOLERANCE :±0.3mm UNLESS OTHERWISE SPECIFIED	UNIT:mm	SCALE:1/1

For Redference  
僅供參考

RoHS&SVHC  
Compliant

SPECIFICATIONS:  
 Contact Resistance : 30mΩ max  
 Current Rating : Max 5.0A , 24V DC  
 Insulation Resistance : 100MΩ min. at DC 500V  
 Dielectric Withstanding Voltage: AC 500V for one minute  
 Remark: ▲: The Most Important Dimension