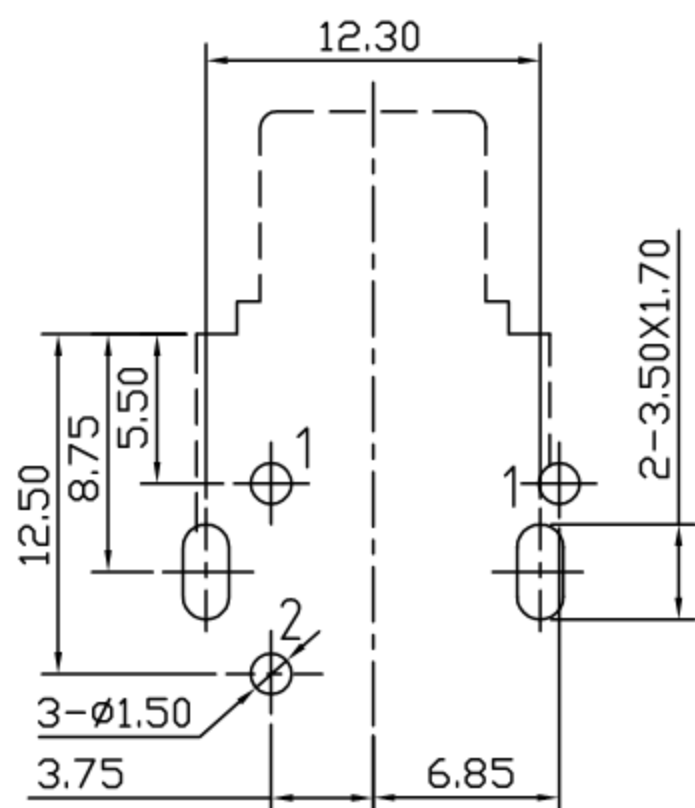
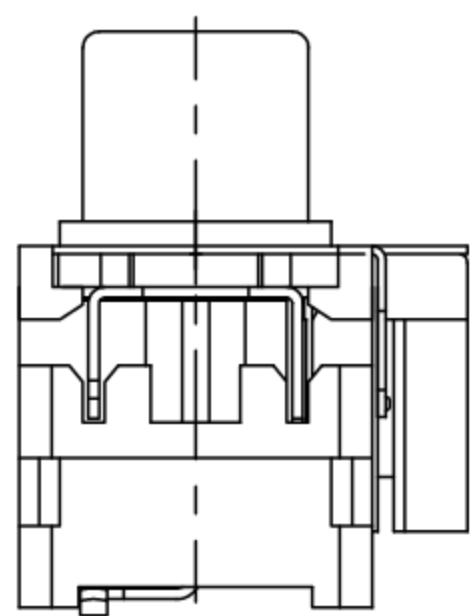
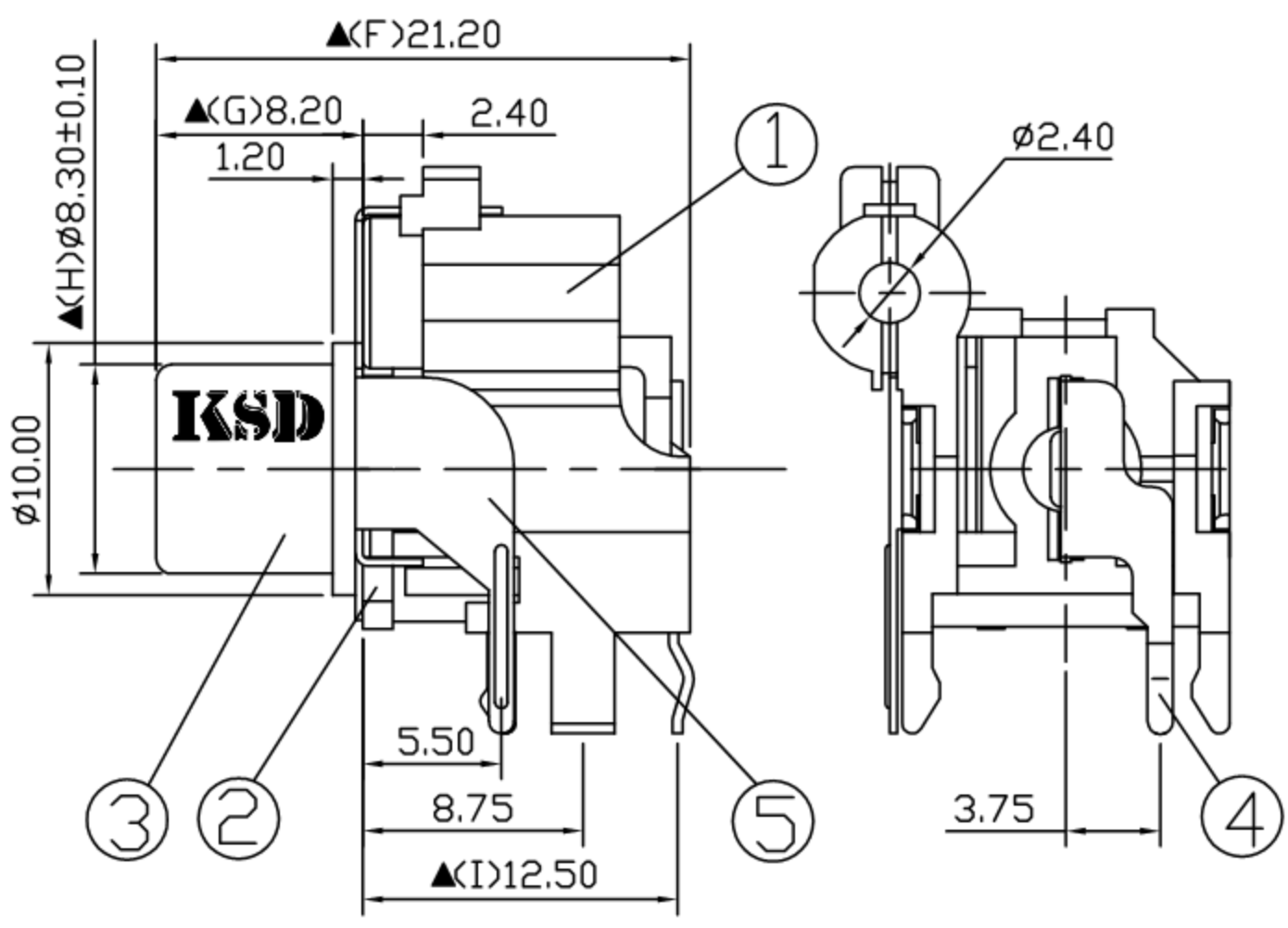
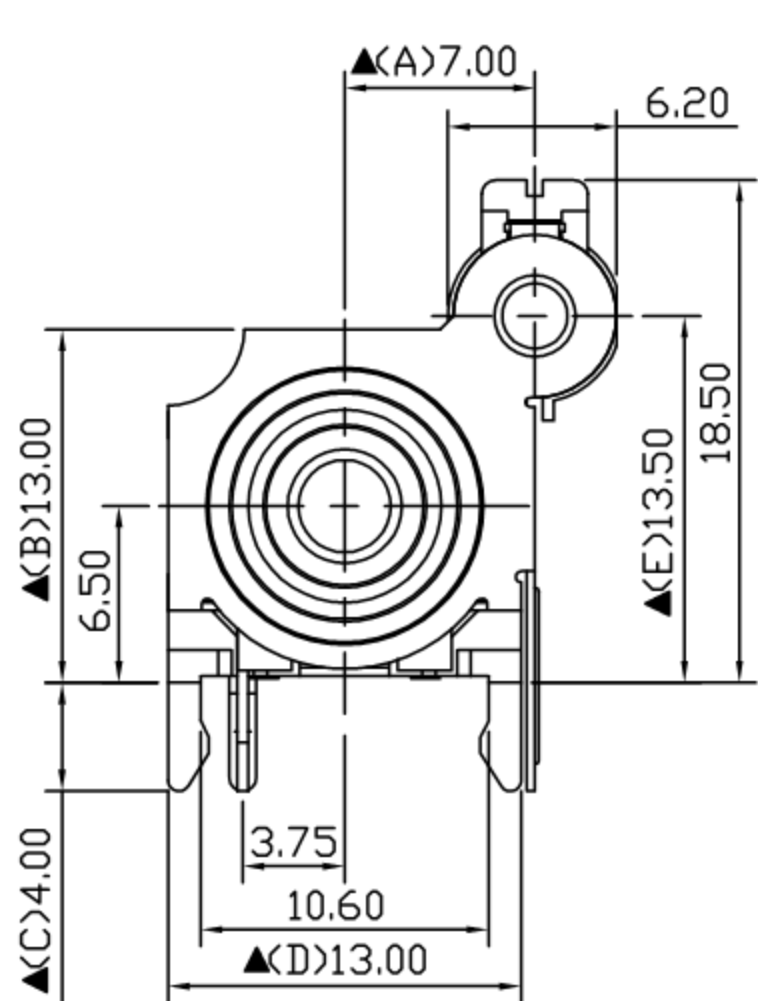


SCHEMATIC	
MODEL NO	U



Pin Hole Layout
(Jack Bottom View)

5.	Earth1 Terminal	0.3T Bronze	1	Nickel Plated	
4.	Terminal	0.4T Bronze	1	Silver Plated	
3.	Outer Contact	0.4T Bronze	1	Nickel Plated	
6	2.	Cover	ABS	1	Black Color
	1.	Housing	ABS	1	Black Color
NO.	Description	Material	Q'TY	Finish	

RoHS
Compliant

For Reference
僅供參考

SPECIFICATIONS:
 Contact Resistance : 30mΩ max
 Insulation Resistance : 100MΩ min. at DC 500V
 Dielectric Withstand Voltage : AC 500V for one minute
 Remark: ▲ : The Most Important Dimension

广东科斯达电子科技有限公司
GUANG DONG KE SI DA ELECTRONIC TECHNOLOGY CO., LTD.

DATE	DWN	CHKD	APVD	MANAGER
12.09.2005				

PART NAME : PIN JACK PART NUMBER: SCP618UNS1NS000G VERSION:4.0

TOLERANCE : ±0.3mm UNLESS OTHERWISE SPECIFIED UNIT:mm SCALE:1/1