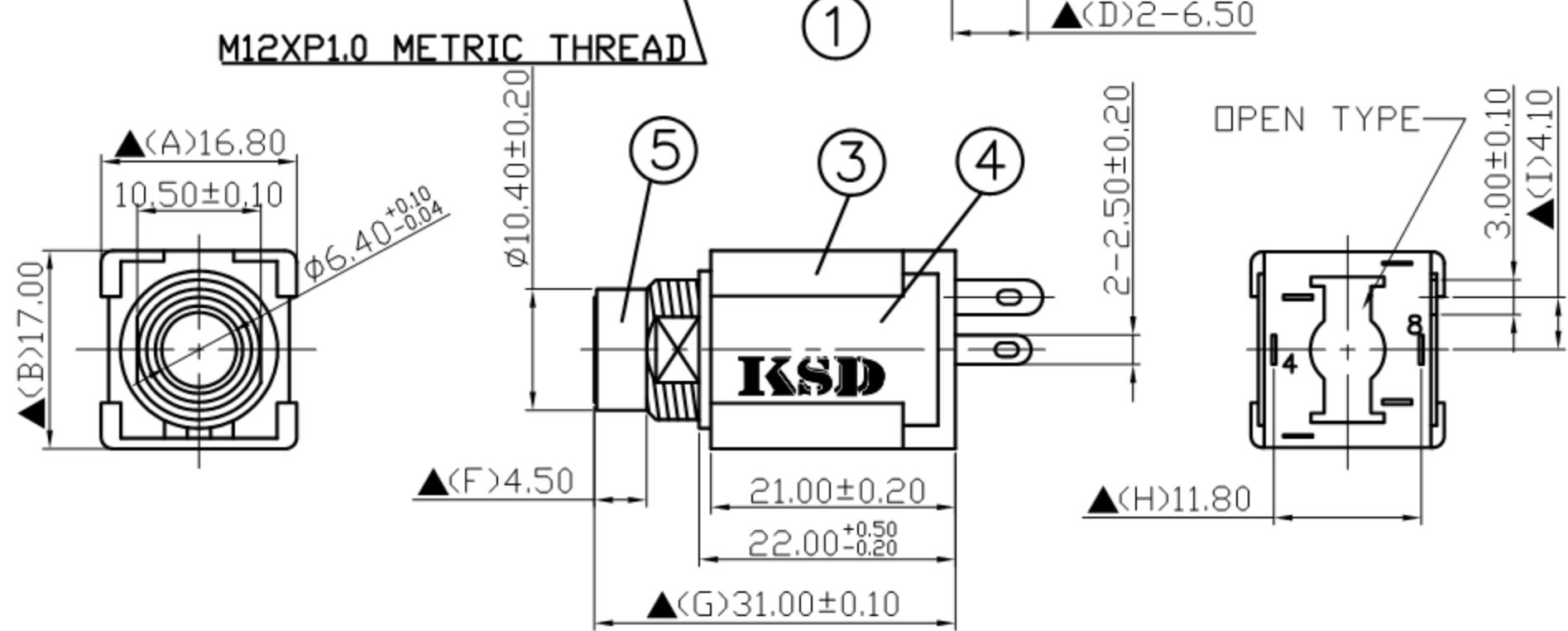
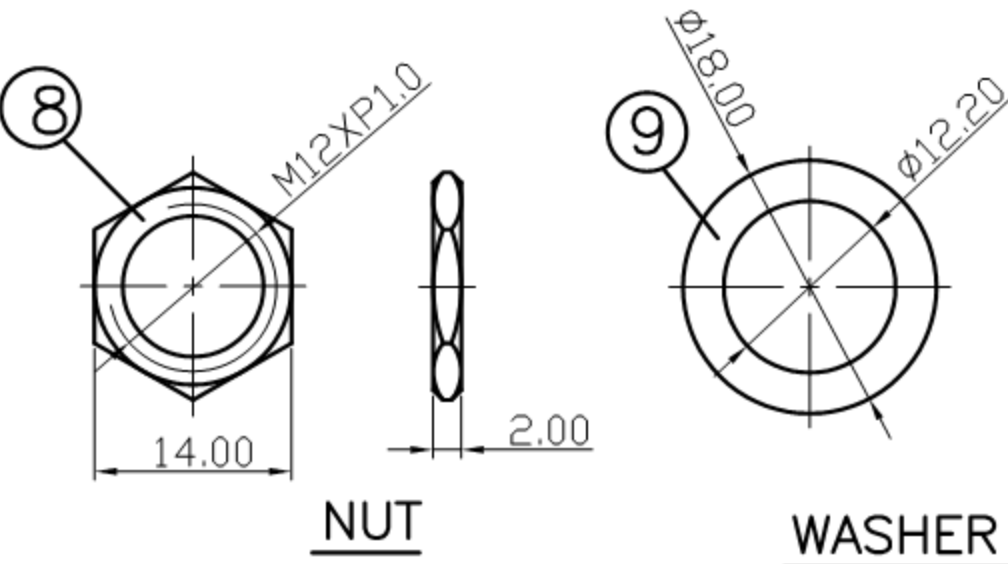


SCHEMATIC	
MODEL NO	A



9.	Washer	0.5T Steel	1	Nickel Plated
8.	Nut	2.0T Steel	1	Nickel Plated
7.	Insulator	Red Vulcanited Fibre	1	Red Color
6.	Bushing	Brass	1	Nickel Plated
5.	Barrel(W/Thread)	PC	1	Black Color
4.	Cover	0.5T Steel	1	Nickel Plated
3.	Housing	POM	1	Black Color
2.	Ring Spring	0.35T Phosphor Bronze	1	Silver Plated
1.	Tip Spring	0.35T Phosphor Bronze	1	Silver Plated
NO.	Description	Material	Q'TY	Finish

	广东科斯达电子科技有限公司 GUANG DONG KE SI DA ELECTRONIC TECHNOLOGY CO., LTD.	DATE	DWN	CHKD	APVD	MANAGER
		10.12.2011				

PART NAME : 6.3φ PHONE JACK	PART NUMBER: SCJ610RONAS1B11G	VERSION: 5.0
TOLERANCE : ±0.3mm UNLESS OTHERWISE SPECIFIED	UNIT: mm	SCALE: 1/1

SPECIFICATIONS:
 Contact Resistance : 30mΩ max
 Insulation Resistance : 100MΩ min. at DC 500V
 Dielectric Withstand Voltage : AC 500V for one minute
 Remark: ▲ : The Most Important Dimension

RoHS Compliant
 For Reference
 僅供參考