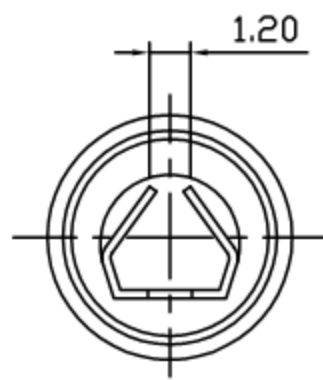
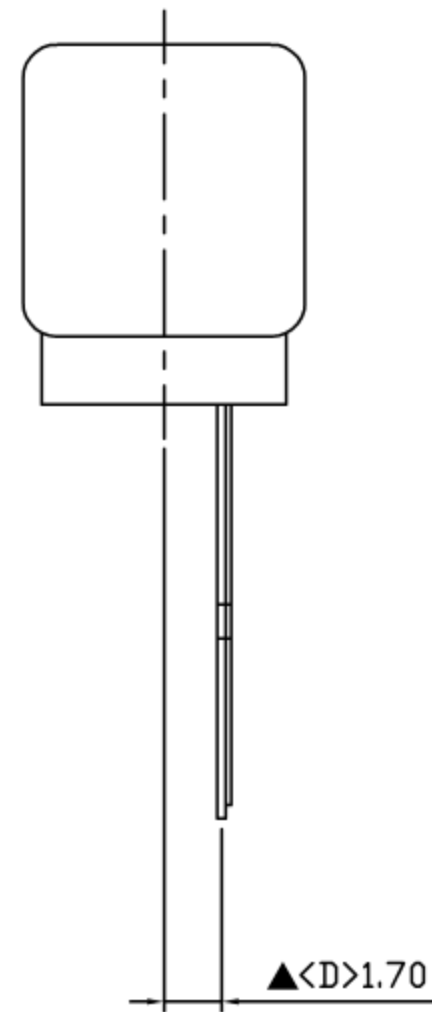
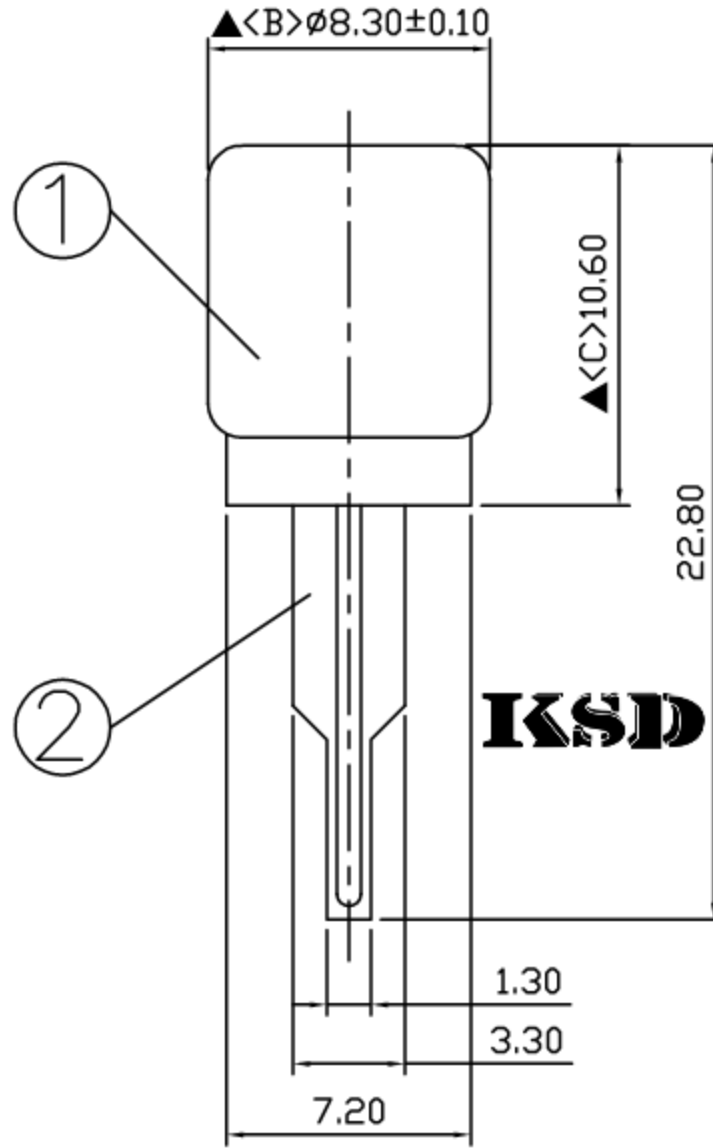
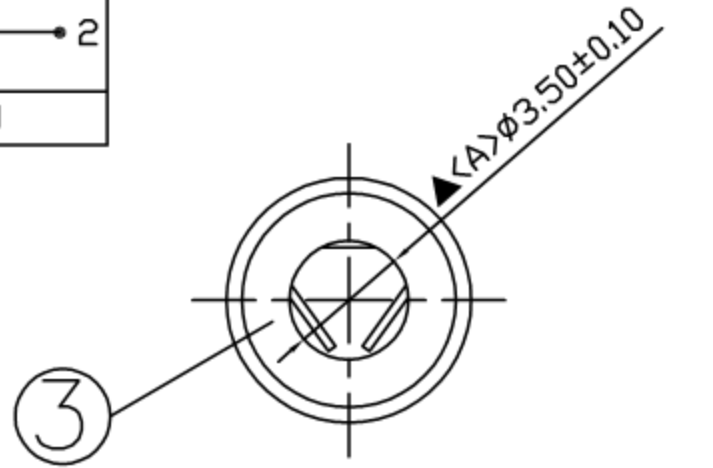


SCHEMATIC	
MODEL NO	U



3.	Insulator	PBT	1	Black Color
2.	Terminal	0.25T Bronze	1	Tin Plating
1.	Barrel (Sleeve)	0.3T Steel	1	Nickel Plating
NO.	Description	Material	Q'TY	Finish

RoHS Compliant For Reference 僅供參考

SPECIFICATIONS:  
 Contact Resistance : 30mΩ max  
 Insulation Resistance : 100MΩ min. at DC 500V  
 Dielectric Withstand Voltage : AC 500V for one minute  
 Remark: ▲ : The Most Important Dimension

广东科斯达电子科技有限公司  
 GUANG DONG KE SI DA ELECTRONIC TECHNOLOGY CO., LTD.

DATE	DWN	CHKD	APVD	MANAGER
12.09.2005				

PART NAME : PIN JACK PART NUMBER: SCP608UNT100000G VERSION: 4.0

TOLERANCE : ±0.3mm UNLESS OTHERWISE SPECIFIED UNIT:mm SCALE:1/1