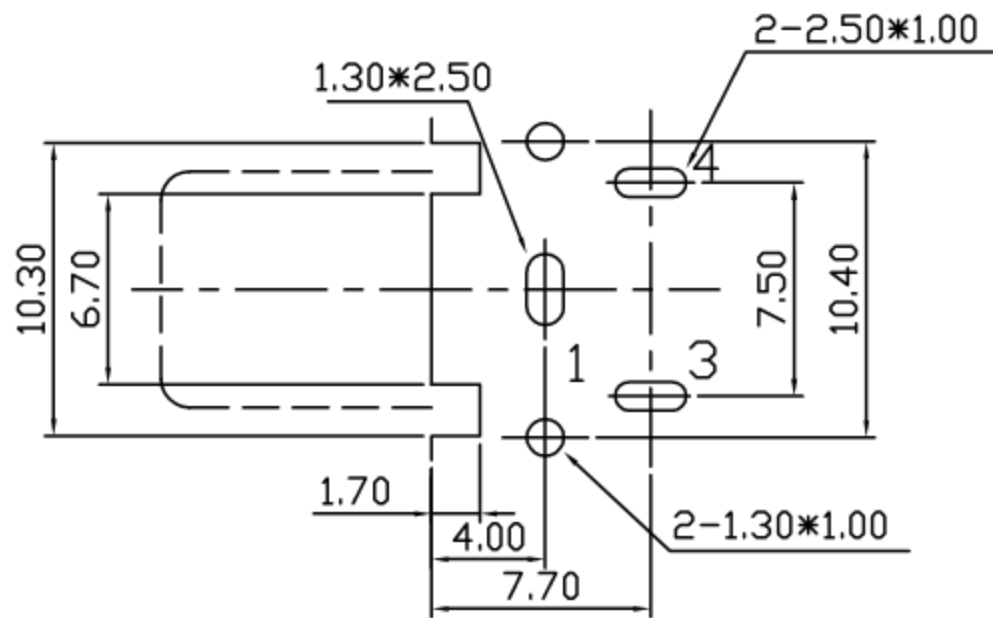
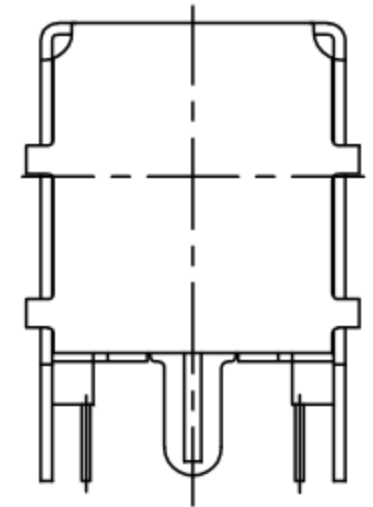
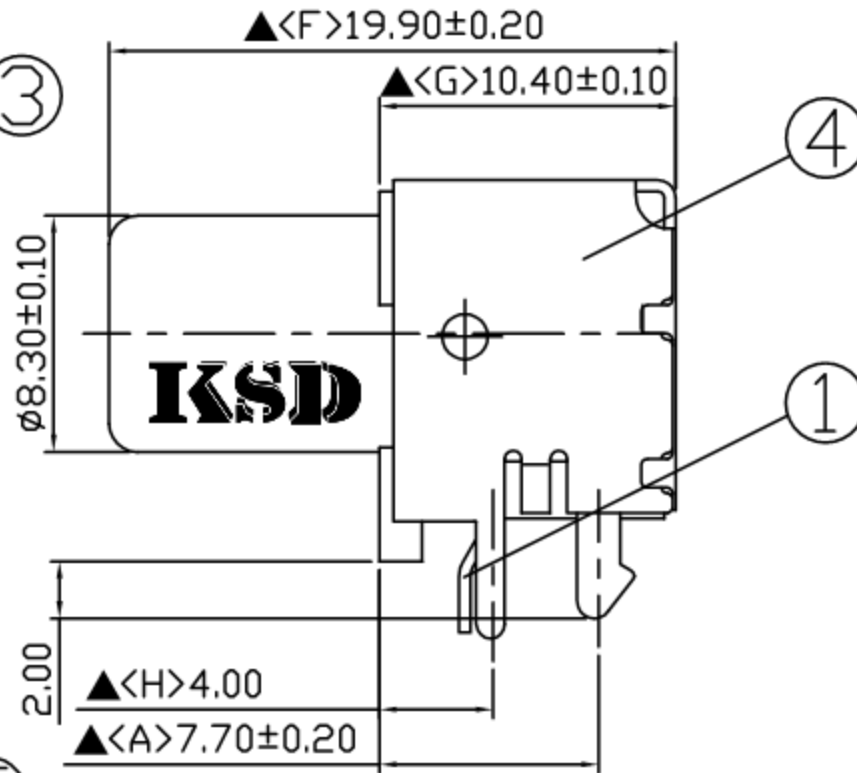
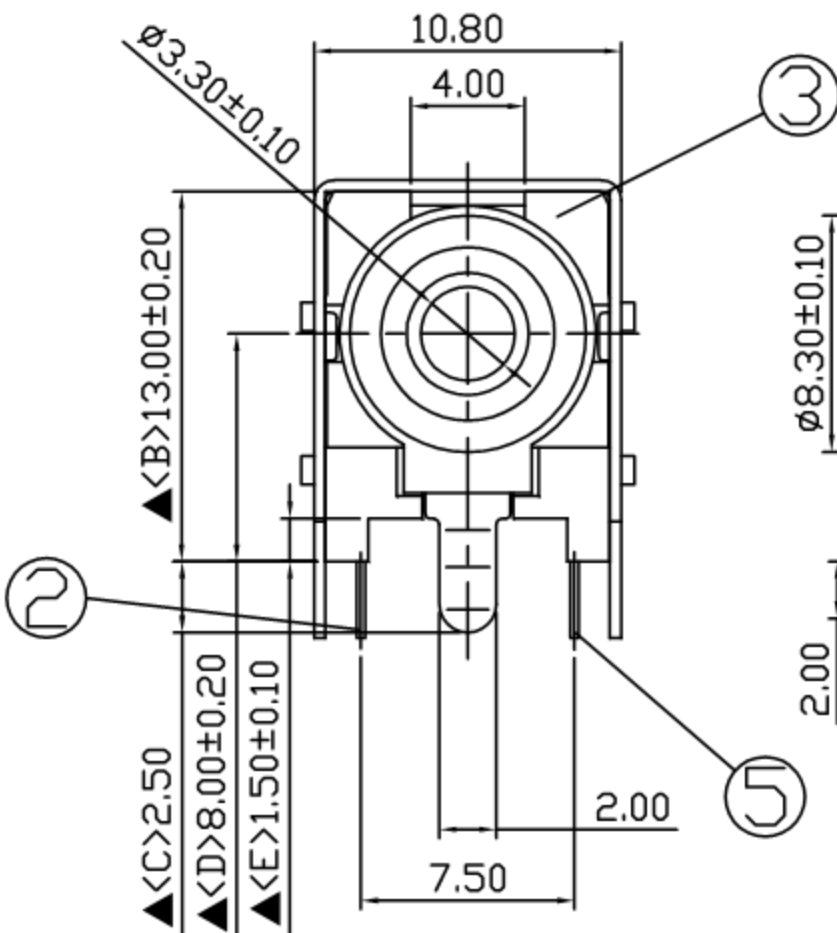
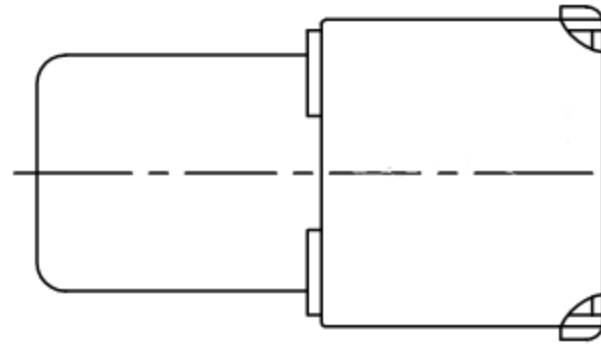


SCHEMATIC		
MODEL NO	V	



Pin Hole Layout  
(Jack Bottom View)

5.	Spring Terminal	0.3T Phosphor Bronze	1	Silver Plated
4.	Metal Shell	0.4T Steel	1	Nickel Plated
3.	Housing	PBT	1	Black Color
2.	Break Terminal	0.3T Phosphor Bronze	1	Silver Plated
1.	Earth Terminal	0.4T Brass	1	Nickel Plated
NO.	Description	Material	Q'TY	Finish

RoHS  
Compliant

For Reference  
僅供參考

SPECIFICATIONS:  
 Contact Resistance : 30mΩ max  
 Insulation Resistance : 100MΩ min. at DC 500V  
 Dielectric Withstand Voltage : AC 500V for one minute  
 Remark: ▲: The Most Important Dimension

广东科斯达电子科技有限公司  
 GUANG DONG KE SI DA ELECTRONIC TECHNOLOGY CO., LTD.

DATE	DWN	CHKD	APVD	MANAGER
12.12.2005				

PART NAME : PIN JACK      PART NUMBER:SCP627VNS1N0000G      VERSION:2.0

TOLERANCE :±0.3mm UNLESS OTHERWISE SPECIFIED      UNIT:mm      SCALE: