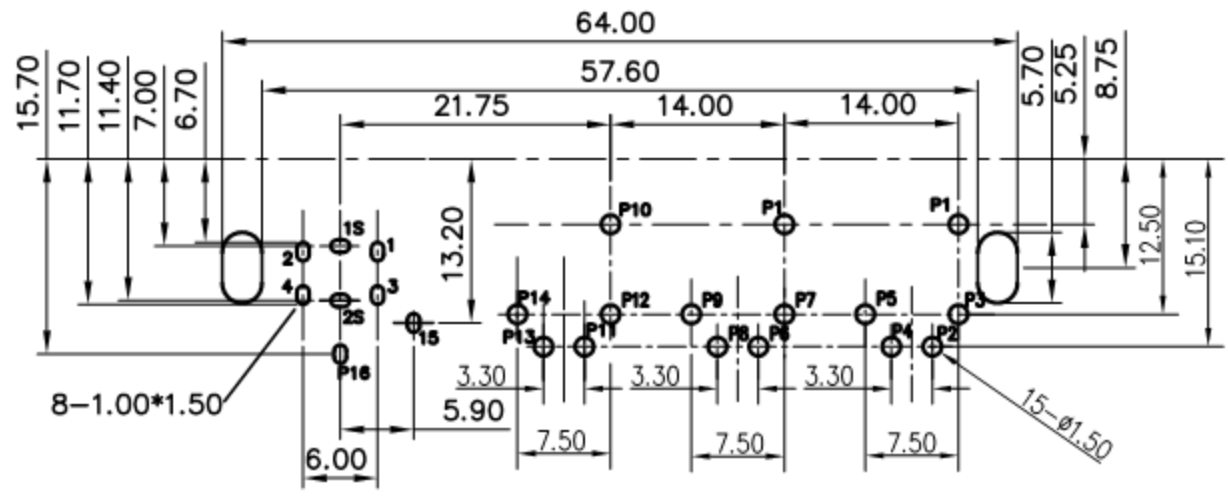
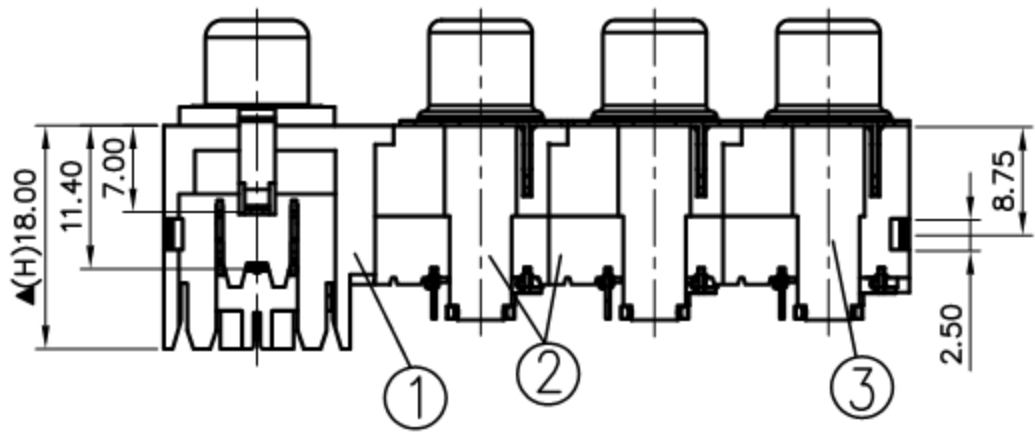
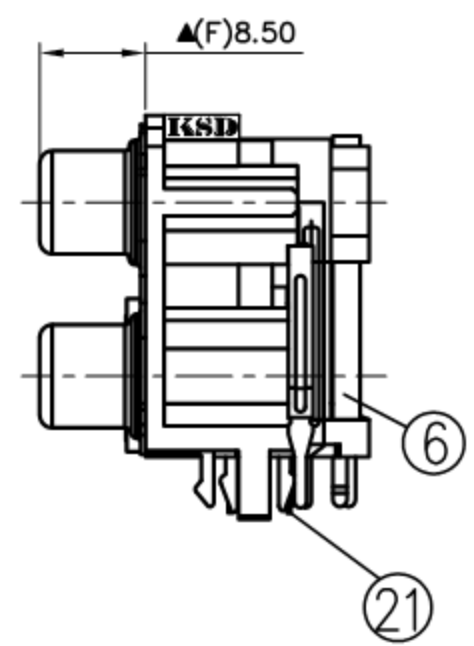
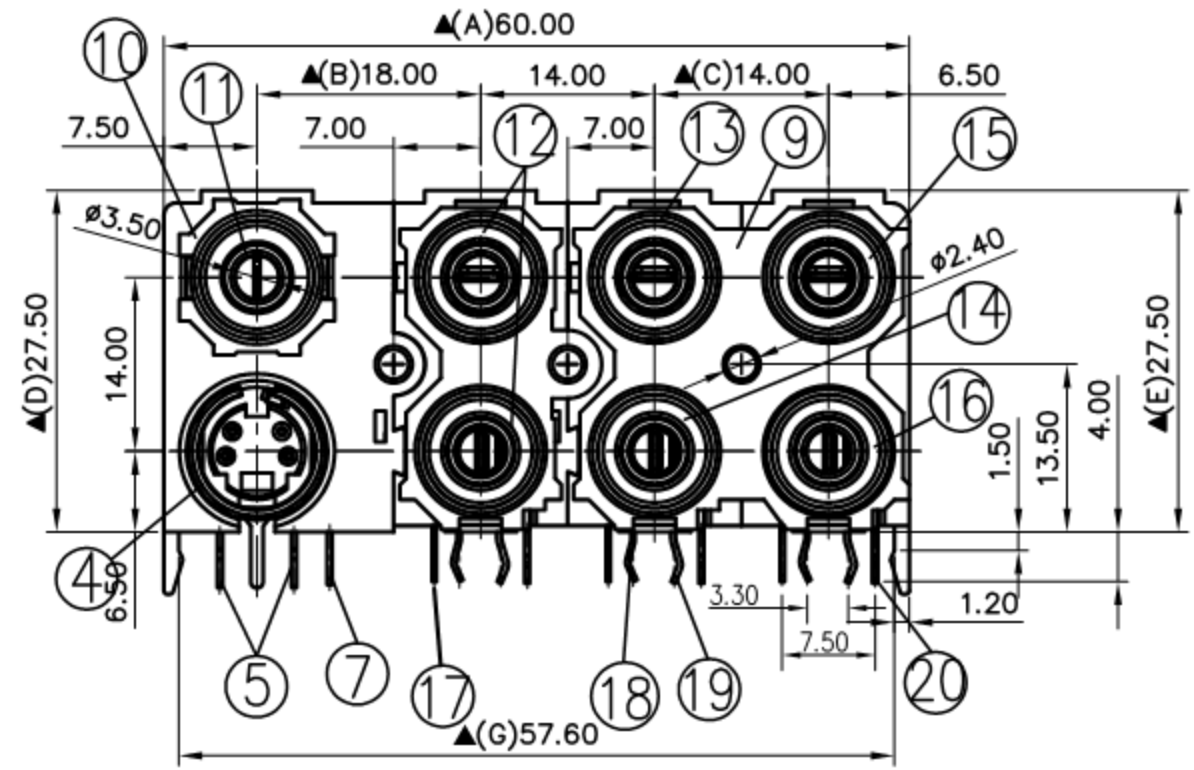
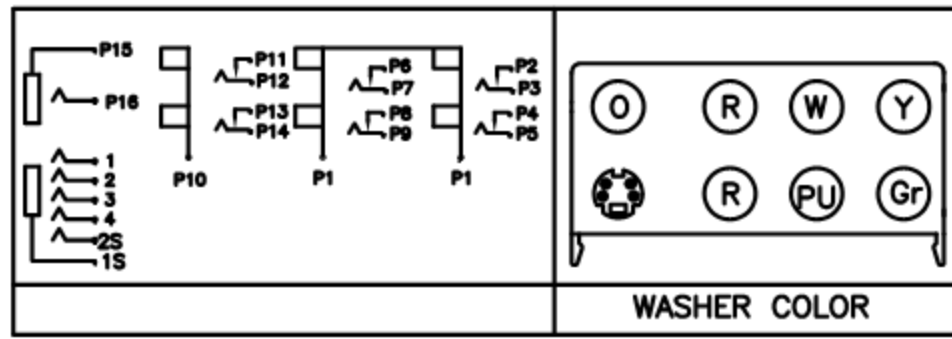


1 2 3 4 5 6 7



21.	Earth Terminal	0.3T Brass	1	Silver Plated
20.	Spring T	0.40T Phosphor Bronze	3	Silver Plated
19.	Terminal T	0.4T Brass	3	Silver Plated
18.	Terminal D	0.3T Brass	3	Silver Plated
17.	Spring D	0.35T Phosphor Bronze	3	Silver Plated
16.	Insulator	ABS	1	Green Color
15.	Insulator	ABS	1	Yellow Color
14.	Insulator	ABS	1	Purple Color
13.	Insulator	ABS	1	White Color
12.	Insulator	ABS	2	Red Color
11.	Insulator	ABS	1	Orange Color
10.	Earth Terminal	0.4T Brass	1	Nickel Plated
9.	Earth Terminal	0.4T Brass	1	Nickel Plated
8.	Earth Terminal	0.4T Brass	1	Nickel Plated
7.	Earth Terminal (DIN) 2	0.4T Brass	1	Silver Plated
6.	Earth Terminal (DIN) 1	0.5T Brass	1	Silver Plated
5.	Terminal (DIN)	0.4T Brass	4	Silver Plated
4.	Inner Shield	0.4T Brass	1	Nickel Plated
3.	Housing	PPO	1	Black Color
2.	Housing	PPO	2	Black Color
1.	Housing	PPO	1	Black Color
NO.	Description	Material	Q'TY	Finish

	广东科斯达电子科技有限公司 GUANG DONG KE SI DA ELECTRONIC TECHNOLOGY CO., LTD.	DATE	DWN	CHKD	APVD	MANAGER
		02.13.2008				

PART NAME : PIN & MINI DIN JACK	PART NUMBER: SCP907S4BS1N000G	VERSION: 1.0
TOLERANCE : ±0.3mm UNLESS OTHERWISE SPECIFIED	UNIT: mm	SCALE: 1/1

SPECIFICATIONS:
 Contact Resistance : 30mΩ max
 Insulation Resistance : 100MΩ min. at DC 500V
 Dielectric Withstanding Voltage: AC 500V for one minute
 Remark: ▲: The Most Important Dimension

RoHS Compliant
 For Reference 僅供參考

1 2 3 4 5 6 7