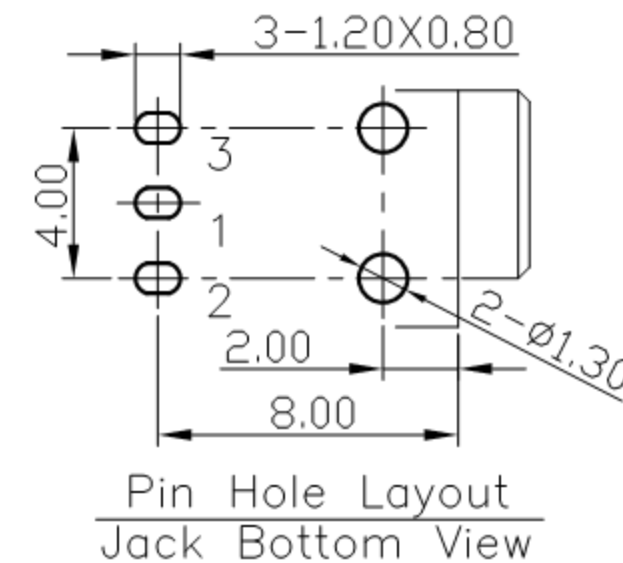
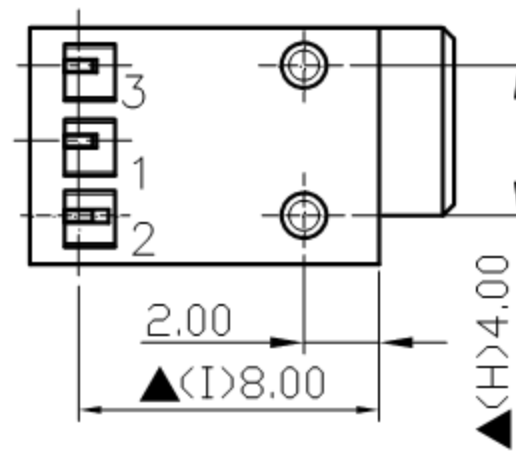
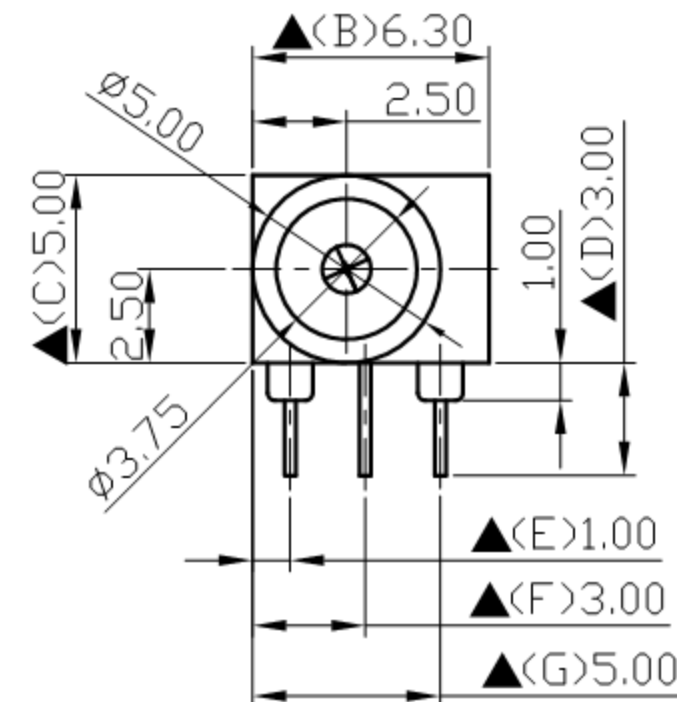
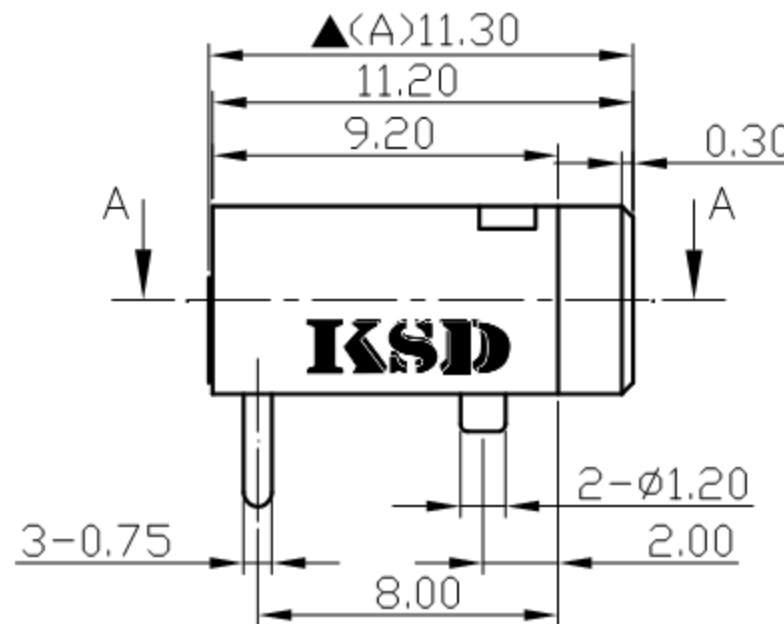
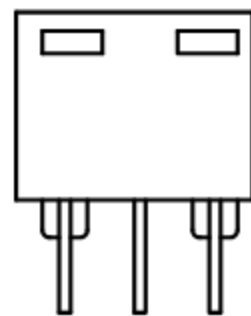
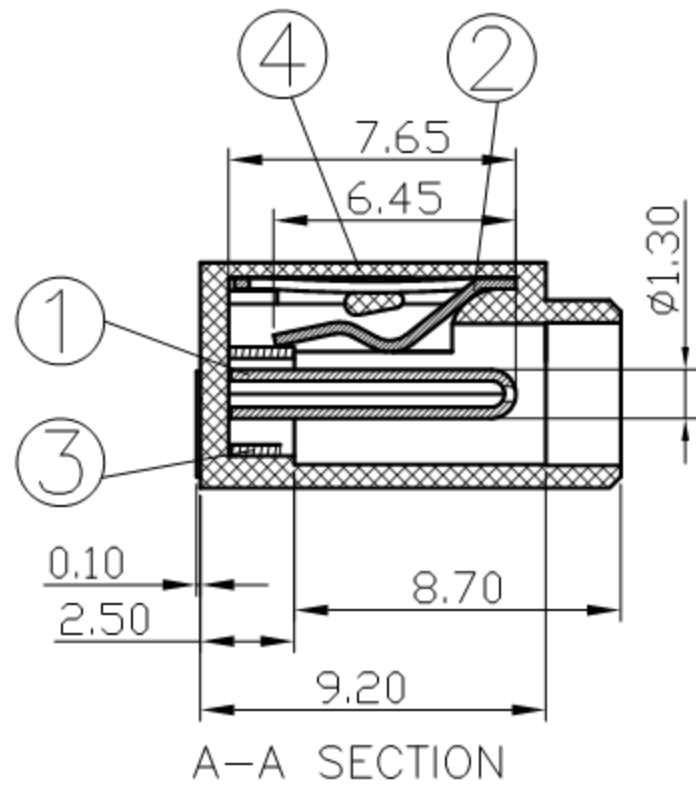
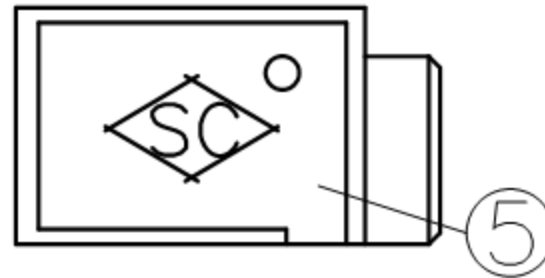


SCHEMATIC	
MODEL NO	C



5.	Cover	PBT+30%	1	Black Color
4.	Housing	PBT+30%	1	Black Color
3.	Pin Terminal	0.3T Brass	1	Silver Plated
2.	Sleeve Spring	0.3T Beryllium	1	Silver Plated
1.	Pin(1.3φ)	0.3T Brass	1	Silver Plated
NO.	Description	Material	Q'TY	Finish

广东科斯达电子科技有限公司 GUANG DONG KE SI DA ELECTRONIC TECHNOLOGY CO., LTD.	DATE	DWN	CHKD	APVD	MANAGER
	09.23.2021	王平華			

PART NAME : DC POWER JACK	PART NUMBER: SCD411ACS000B00G	VERSION: 11.0
---------------------------	-------------------------------	---------------

TOLERANCE : ±0.3mm UNLESS OTHERWISE SPECIFIED	UNIT: mm		SCALE: 1/1
---	----------	--	------------

SPECIFICATIONS:
 Contact Resistance : 30mΩ max
 Current Rating : Max 5A , 24V DC
 Insulation Resistance : 100MΩ min. at DC 500V
 Remark: ▲: The Most Important Dimension

For Reference
 僅供參考
 RoHS&SVHC
 Compliant