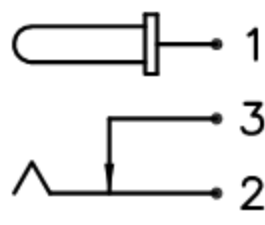


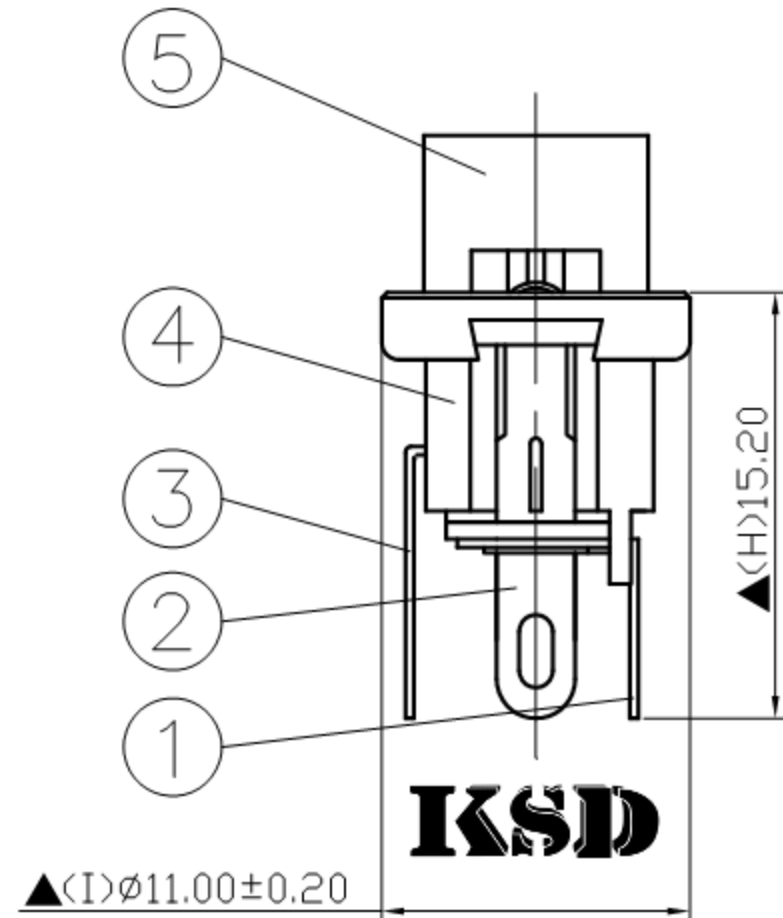
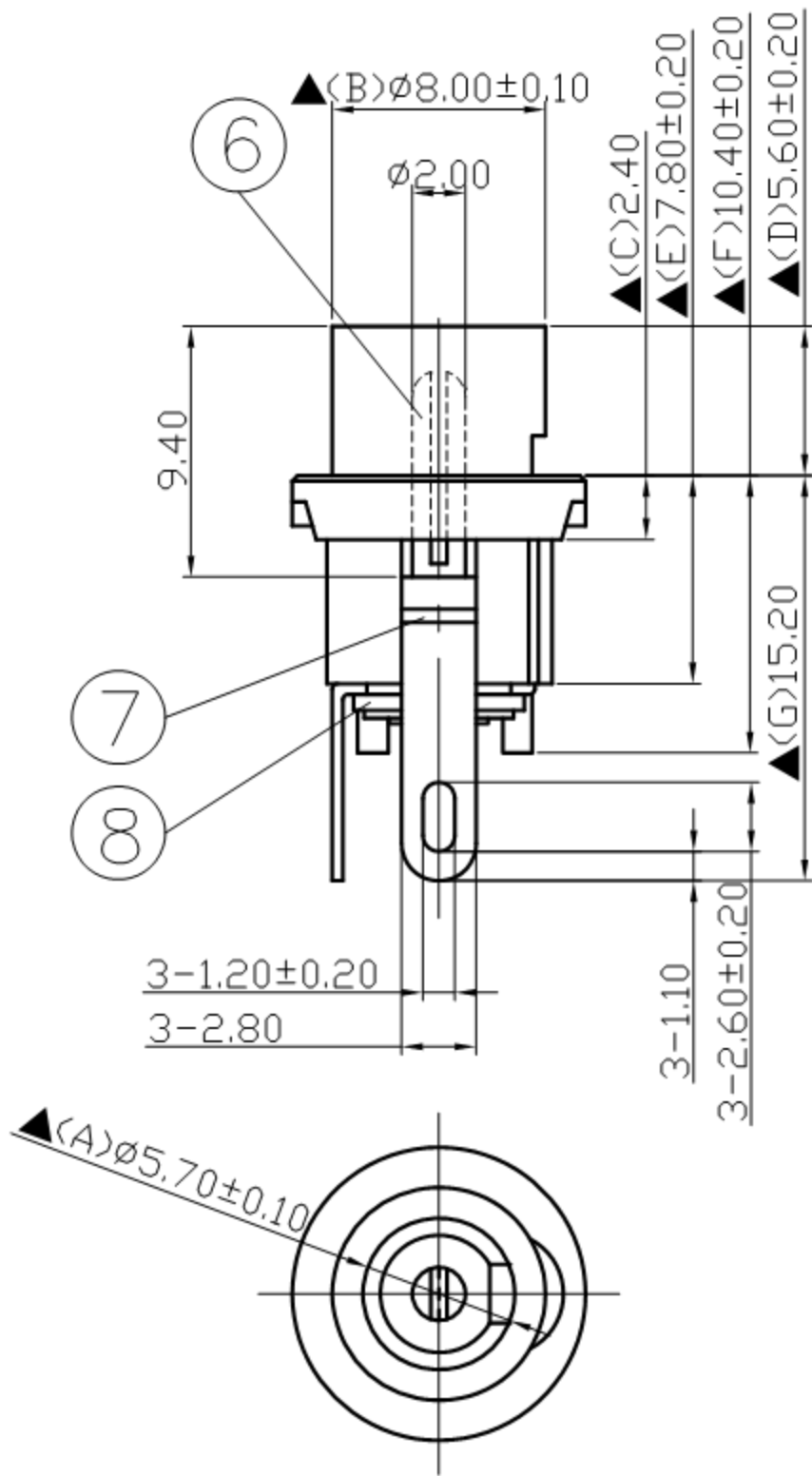
SCHEMATIC	
MODEL NO	C

8.	Insulator B	Red Vulcanited Fibre	1	Red Color
7.	Insulator A	Red Vulcanited Fibre	1	Red Color
6.	Pin(2.0φ)	Low Lead Brass Rod	1	Nickel Plated
5.	Bushing	Low Lead Brass Rod	1	Nickel Plated
4.	Housing	PBT+15%	1	Black Color
3.	Break Terminal	0.3T Brass	1	Silver Plated
2.	Sleeve Spring	0.4T Phosphor Bronze	1	Silver Plated
1.	Pin Terminal	0.3T Brass	1	Silver Plated
NO.	Description	Material	Q'TY	Finish

	广东科斯达电子科技有限公司 GUANG DONG KE SI DA ELECTRONIC TECHNOLOGY CO., LTD.	DATE	DWN	CHKD	APVD	MANAGER
		06.22.2021	王平華			

PART NAME : DC POWER JACK	PART NUMBER: SCD554CCS001B00L	VERSION: 2.0
---------------------------	-------------------------------	--------------

TOLERANCE : ±0.3mm UNLESS OTHERWISE SPECIFIED	UNIT: mm	 	SCALE: 1/1
---	----------	---	------------



For Redference
僅供參考

RoHS&SVHC
Compliant

SPECIFICATIONS:
 Contact Resistance : 30mΩ max
 Current Rating : Max 5.0A, 24VDC
 Insulation Resistance : 100MΩ min. at DC 500V
 Dielectric Withstanding Voltage: AC 500V for one minute
 Remark: ▲: The Most Important Dimension