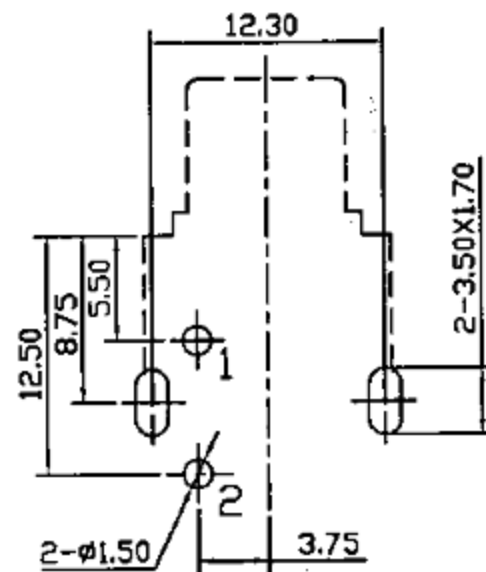
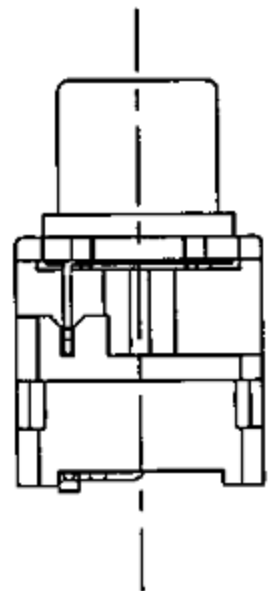
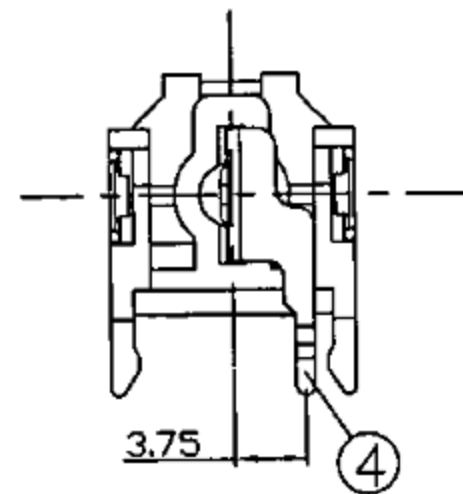
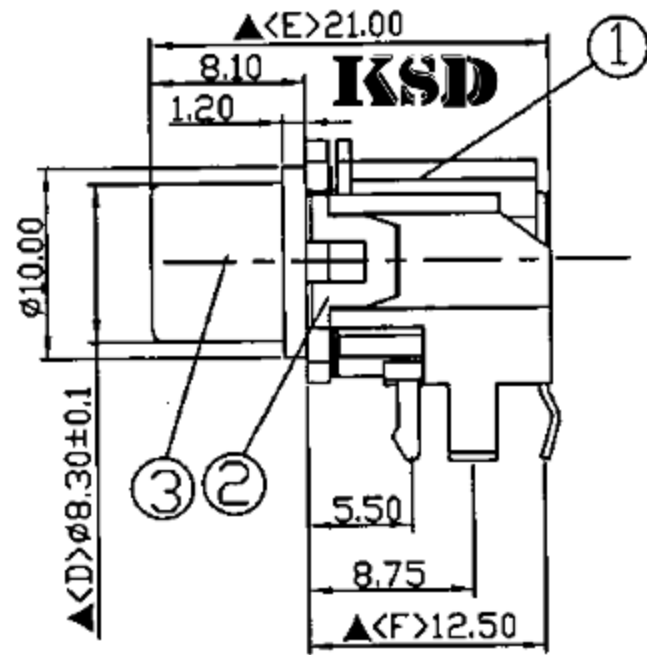
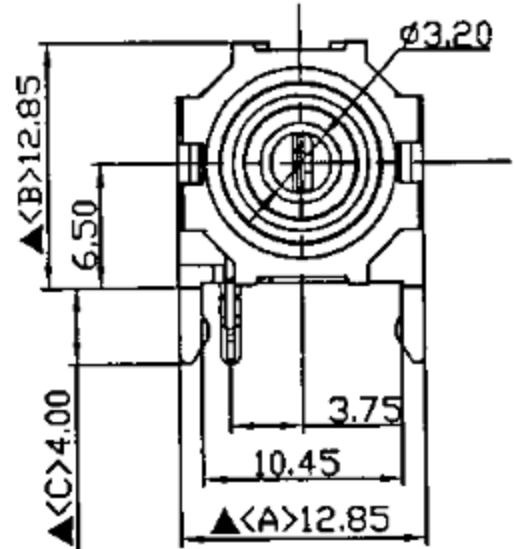
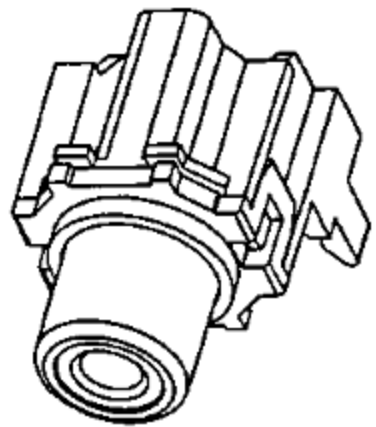


SCHEMATIC	
MODEL NO	U



Pin Hole Layout  
(Jack Bottom View)

4.	Terminal	0.4T Bronze	1	Gold flash
3.	Outer Contact	0.4T Bronze	1	Gold flash
2.	Cover	ABS	1	Red Color
1.	Housing	PA66	1	Red Color
NO.	Description	Material	Q'TY	Finish

广东科斯达电子科技有限公司  
GUANG DONG KE SI DA ELECTRONIC TECHNOLOGY CO., LTD.

DATE	DWN	CHKD	APVD	MANAGER
10.18.2011	韩沙			黄登扬

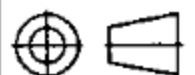
PART NAME : PIN JACK

PART NUMBER: SCP619UGG200000G

VERSION: 3.0

TOLERANCE :  $\pm 0.3\text{mm}$  UNLESS OTHERWISE SPECIFIED

UNIT: mm



SCALE: 1/1

SPECIFICATIONS:

Contact Resistance :  $30\text{m}\Omega$  max  
Insulation Resistance :  $100\text{M}\Omega$  min. at DC 500V  
Dielectric Withstand Voltage : AC 500V for one minute  
Remark:  $\blacktriangle$ : The Most Important Dimension

RoHS  
Compliant