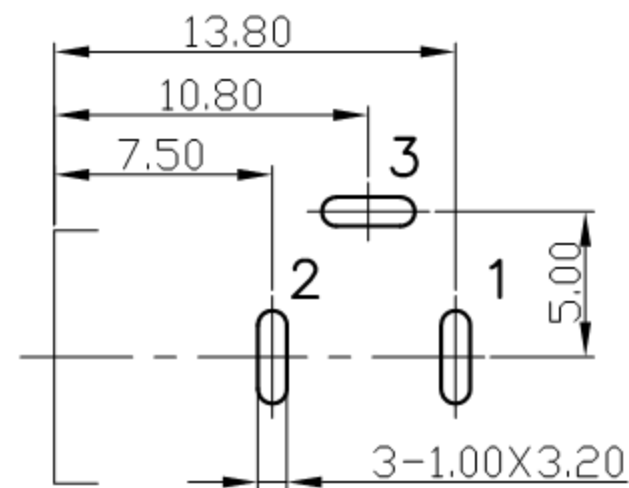
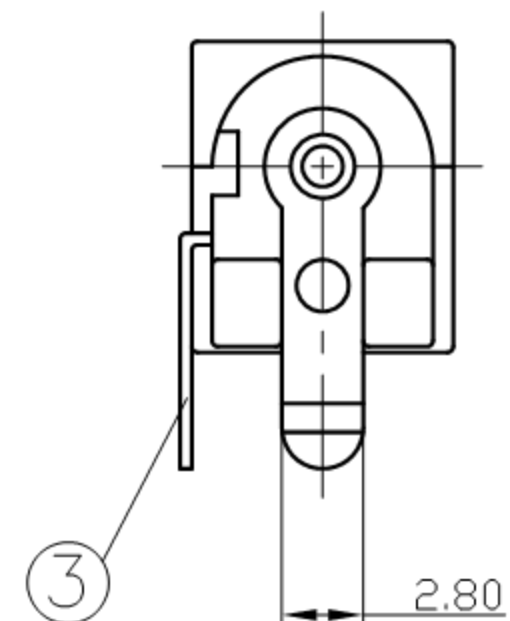
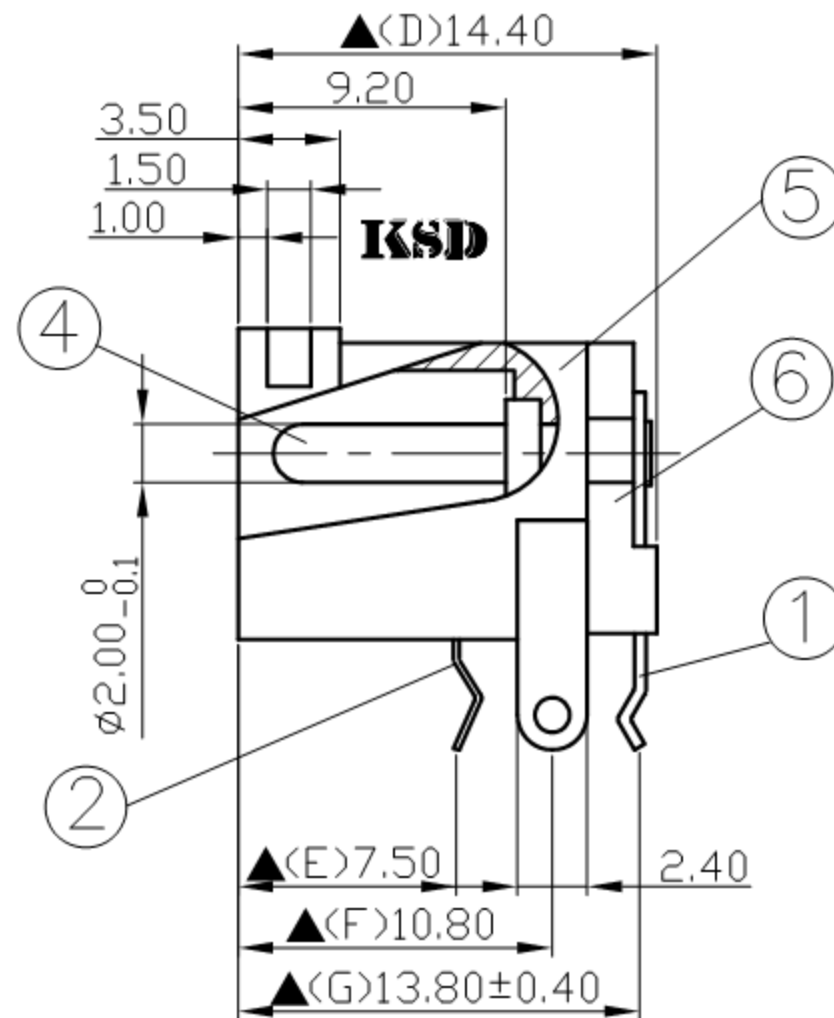
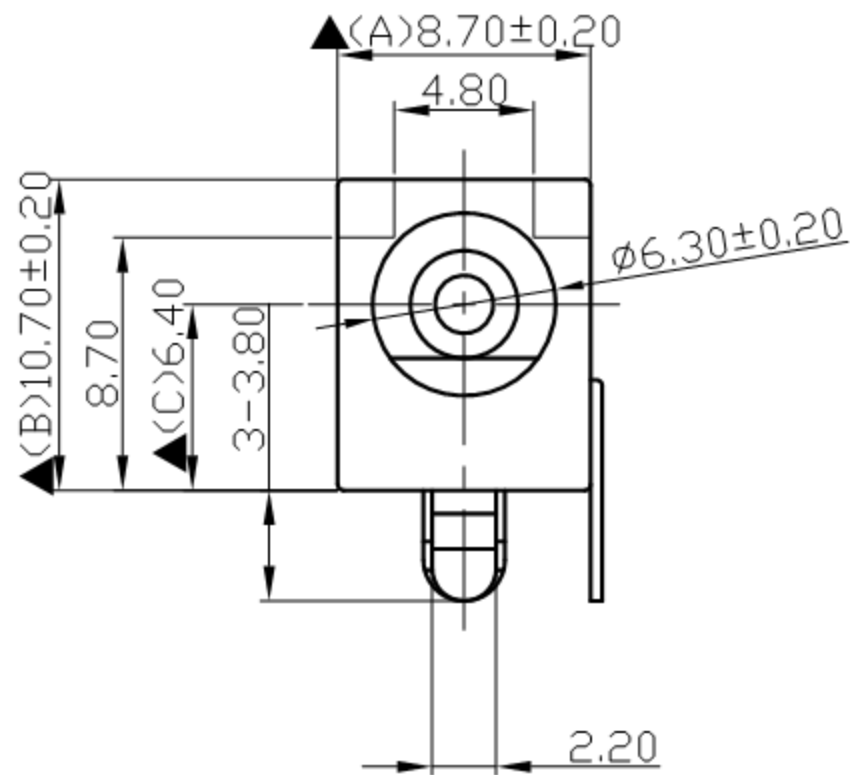


SCHEMATIC	
MODEL NO	C



Pin Hole Layout  
(Jack Bottom View)

6.	Cover	PBT+30%	1	Black Color
5.	Housing	PBT+30%	1	Black Color
4.	Pin(2.0φ)	Brass	1	Nickel Plated
3.	Break Terminal	0.4T Brass	1	Silver Plated
2.	Sleeve Spring	0.2T Phosphor Bronze	1	Silver Plated
1.	Pin Terminal	0.4T Brass	1	Silver Plated
NO.	Description	Material	Q'TY	Finish

DATE	DWN	CHKD	APVD	MANAGER
09.24.2021	王平華			

广东科斯达电子科技有限公司  
GUANG DONG KE SI DA ELECTRONIC TECHNOLOGY CO., LTD.

For Redference  
僅供參考

RoHS&SVHC  
Compliant

PART NAME : DC POWER JACK PART NUMBER: SCD438CCS033B00G VERSION: 7.0

TOLERANCE : ±0.3mm UNLESS OTHERWISE SPECIFIED UNIT: mm SCALE: 1/1

SPECIFICATIONS:  
Contact Resistance : 30mΩ max  
Current Rating : Max 5.0A , 16V DC  
Insulation Resistance : 100MΩ min. at DC 500V  
Dielectric Withstand Voltage : AC 500V for one minute  
Remark: ▲ : The Most Important Dimension