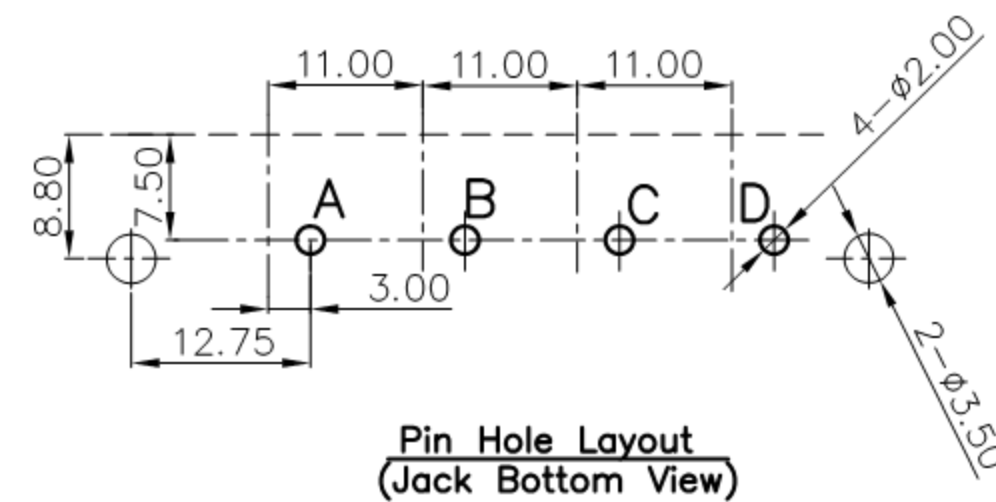
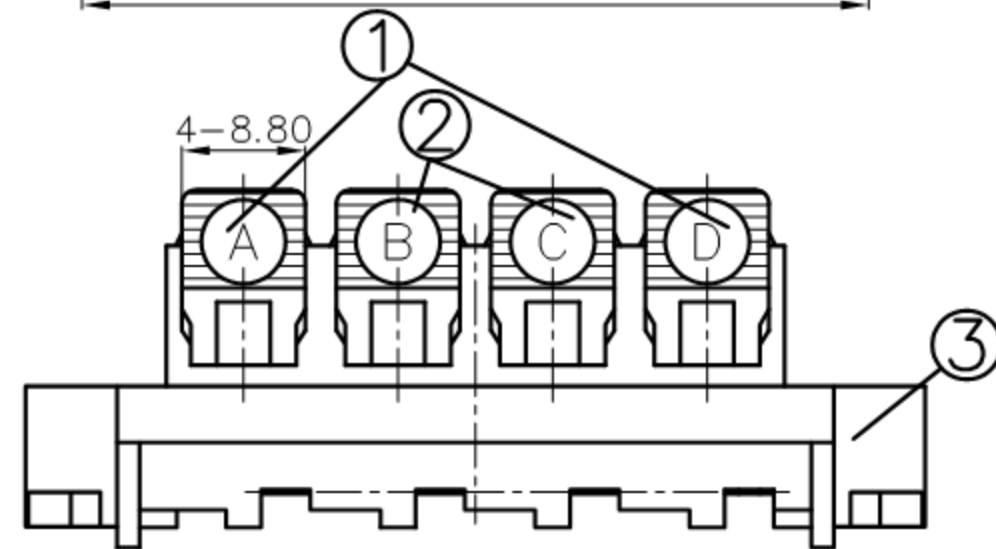
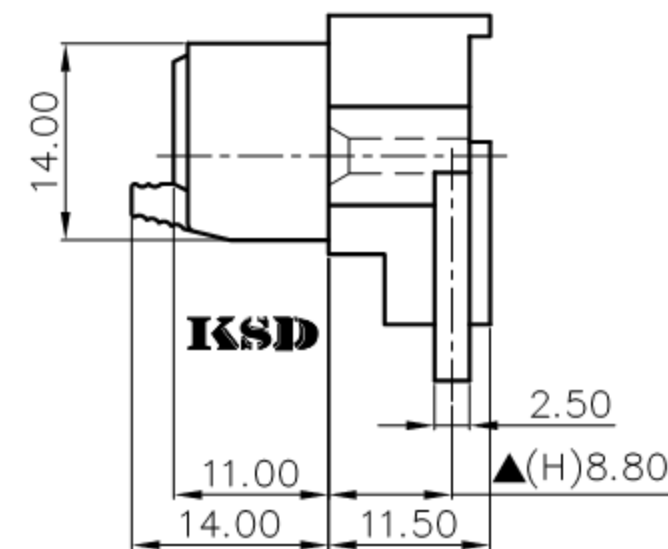
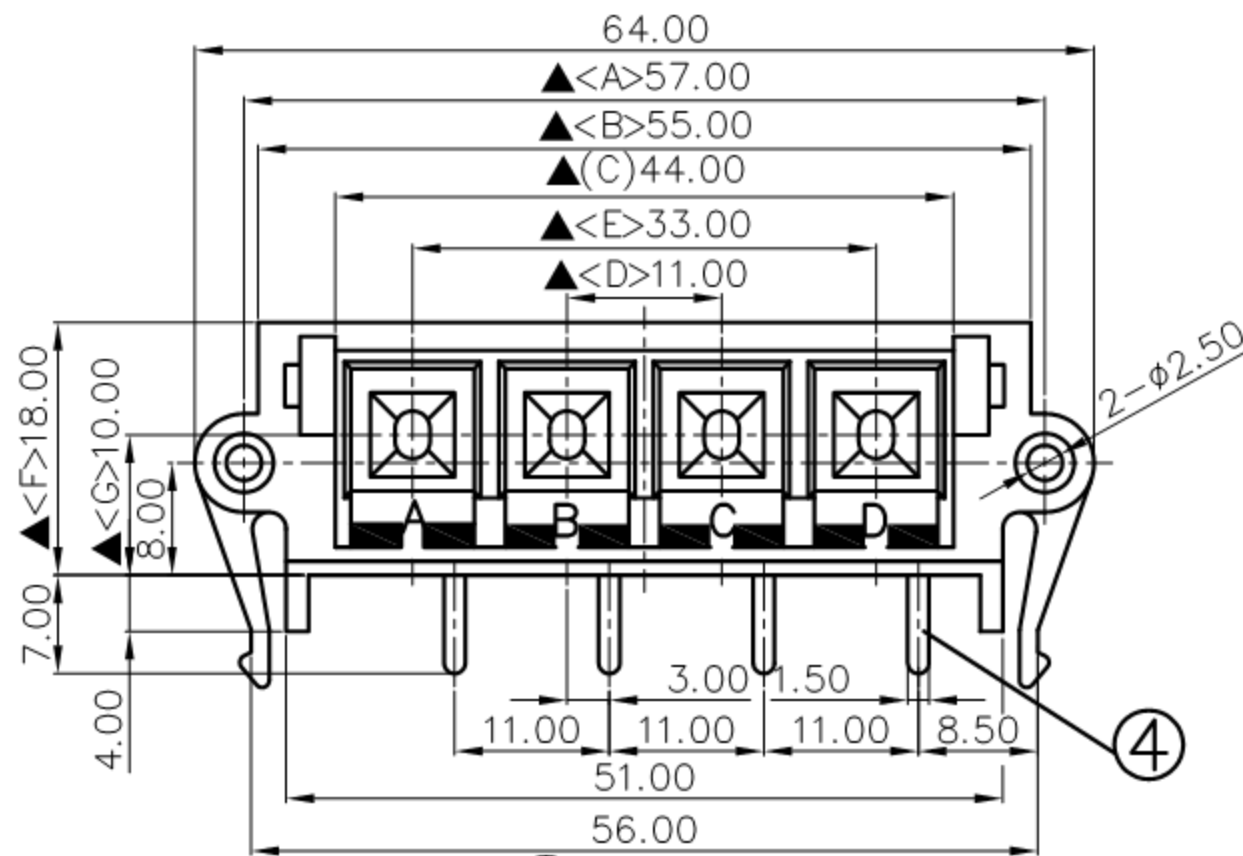


Knob Color			
(A)	(B)	(C)	(D)
RED	BLACK	BLACK	RED



4.	Terminal	0.3T Phosphor Bronze	4	Silver Plated
3.	Base	ABS	1	Black Color
2.	Press Button	ABS	2	Black Color
1.	Press Button	ABS	2	Red Color
NO.	Description	Material	Q'TY	Finish

	广东科斯达电子科技有限公司 GUANG DONG KE SI DA ELECTRONIC TECHNOLOGY CO., LTD.	DATE	DWN	CHKD	APVD	MANAGER
		10.20.2011				

PART NAME : PUSH TERMINAL BOARD	PART NUMBER: SCT730D21120000G	VERSION: 4.0
TOLERANCE : ±0.3mm UNLESS OTHERWISE SPECIFIED	UNIT: mm	SCALE: 1/1

SPECIFICATIONS:
 Contact Resistance : 30mΩ max
 Insulation Resistance : 100MΩ min. at DC 500V
 Dielectric Withstanding Voltage: AC 500V for one minute
 Remark: ▲: The Most Important Dimension

RoHS Compliant
 For Reference
 僅供參考