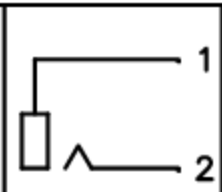
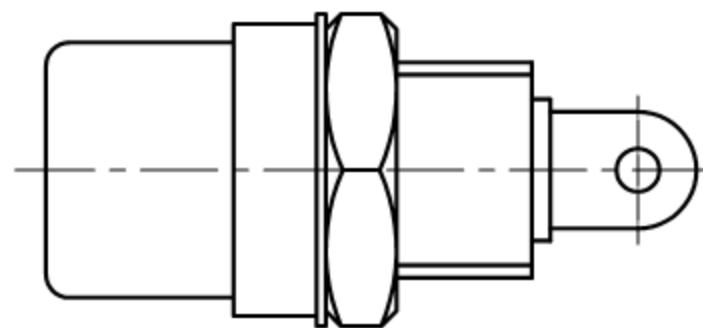
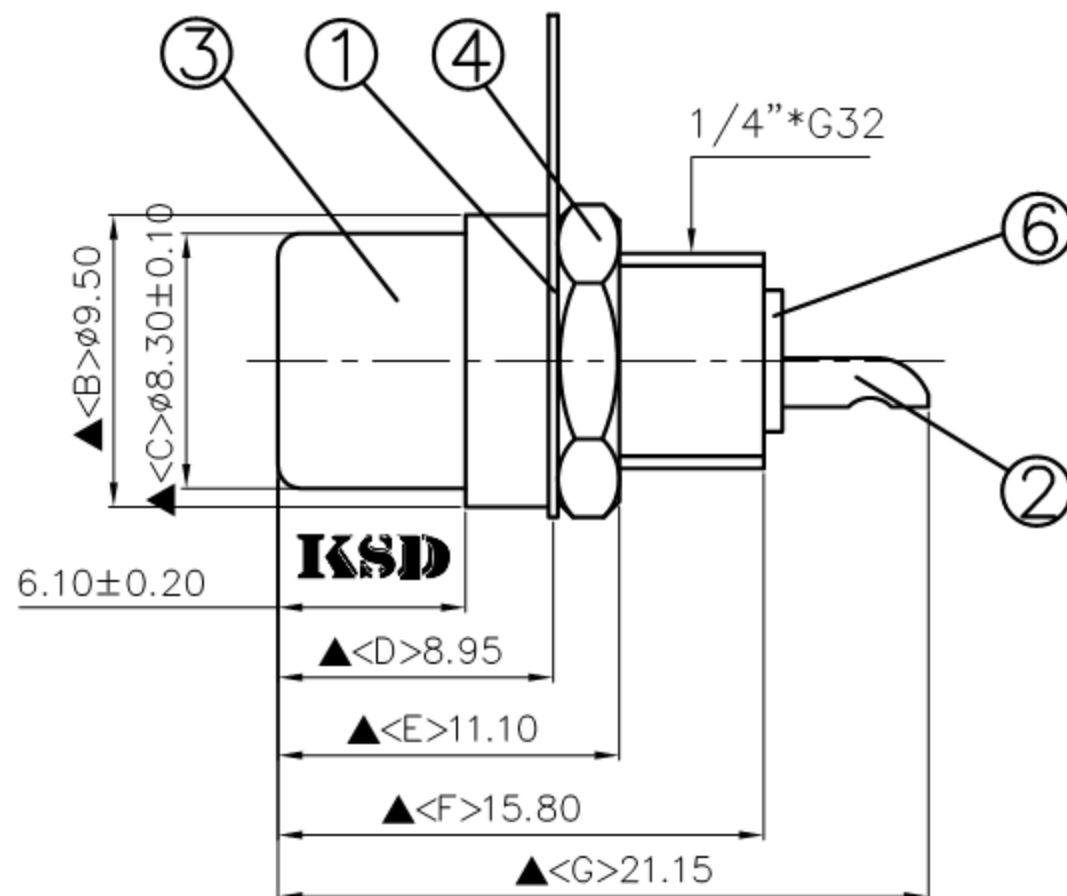
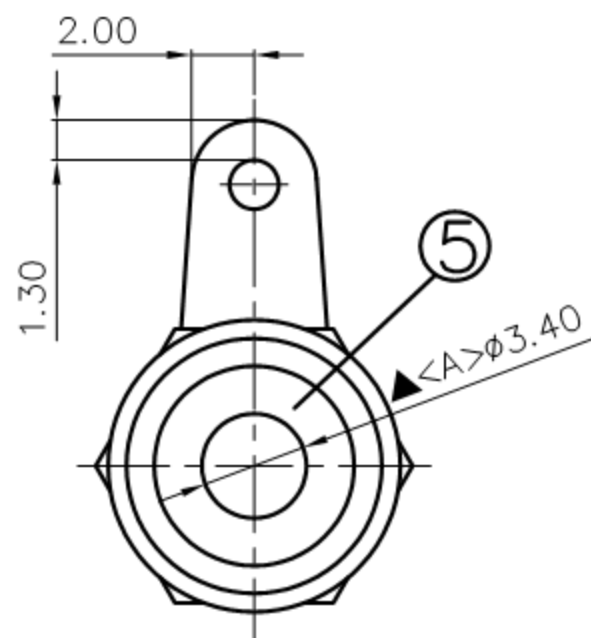



SCHEMATIC	
MODEL NO	U



6.	Bushing	POM	1	Black Color
5.	Insulator	POM	1	Black Color
4.	Nut	Iron	1	Nickel Plated
3.	Body Shell	Brass	1	Nickel Plated
2.	Terminal	0.25T Brass	1	Nickel Plated
1.	Earth Terminal	0.3T Brass	1	Nickel Plated
NO.	Description	Material	Q'TY	Finish

 广东科斯达电子科技有限公司 GUANG DONG KE SI DA ELECTRONIC TECHNOLOGY CO., LTD.	DATE	DWN	CHKD	APVD	MANAGER
	06.21.2010				

PART NAME: PIN JACK	PART NUMBER: SCP607UNN100000G	VERSION: 9.0
TOLERANCE: ± 0.3 mm UNLESS OTHERWISE SPECIFIED		UNIT: mm 
		SCALE: 1/1

SPECIFICATIONS:
 Contact Resistance : 30m Ω max
 Insulation Resistance : 100M Ω min.at DC500V
 Dielectric Withstand Voltage: AC 500V for one minute
 Remark: ? : The Most Important Dimension

RoHS
 Compliant

For Reference
 僅供參考